

4

3

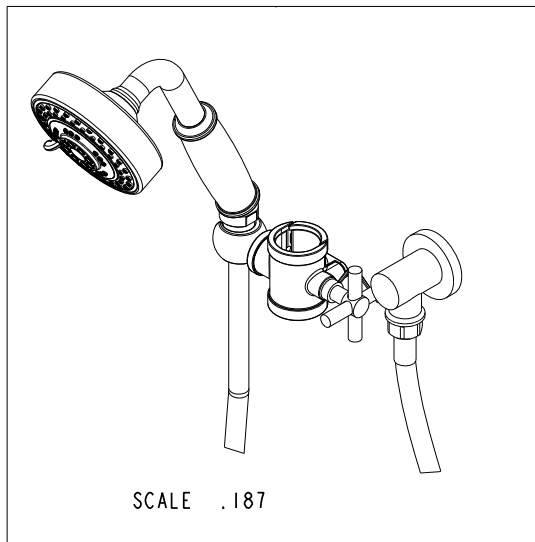
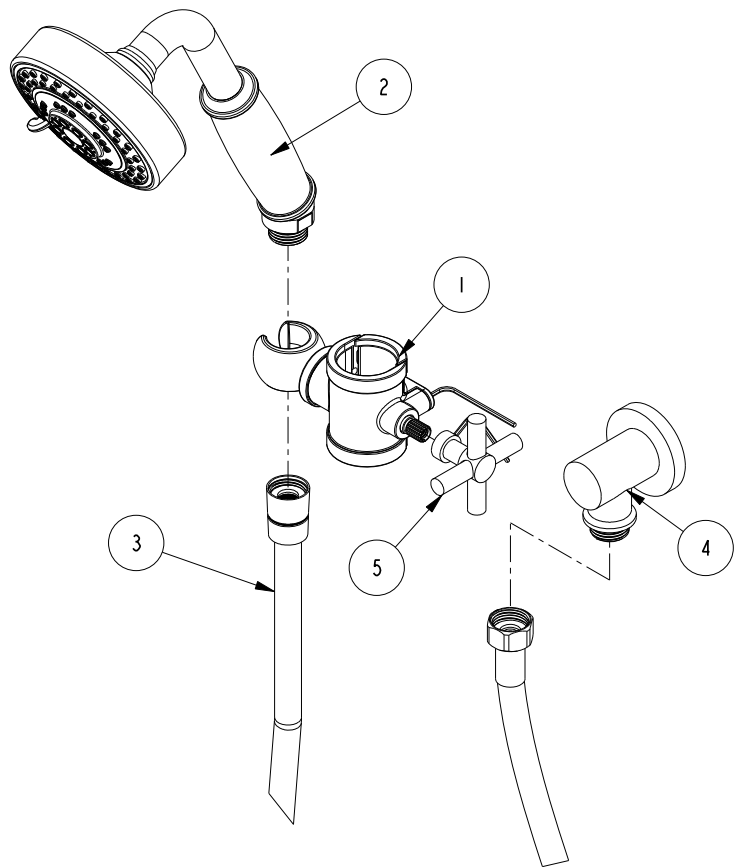
2

NOTES:

(N1) 1. FIT / FORM / FUNCTION SHALL FOLLOW PS-E.008.

BILL OF MATERIAL (CURRENT LEVEL)

ITEM	PT/ASSY	DESCRIPTION	TYPE	QTY.
1	20-410	SLIDE BAR HOLDER ASM - CONTEMP	ASSEMBLY	1
2	283-3	HAND SHOWER - CONTEMPORARY	ASSEMBLY	1
3	284	59 IN. SPIRAL SHOWER HOSE	ASSEMBLY	1
4	285-2	SUPPLY ELBOW ASM - CONTEMPORARY	ASSEMBLY	1
5	20-289	CROSS HANDLE ASM, CONTEMP	ASSEMBLY	1



COPYRIGHT 2005 BRASSTECH, INC. THESE DRAWINGS AND THE DESIGNS DEPICTED HEREIN ARE THE PROPRIETARY PROPERTY OF BRASSTECH. ANY USE OR REPRODUCTION IS SUBJECT TO THE EXPRESS APPROVAL OF BRASSTECH. UNAUTHORIZED USE IS STRICTLY PROHIBITED. ALL RIGHTS RESERVED.

TESTING	-	-	-
ASSEMBLY	-	-	-
PLATING	-	-	-
POLISHING	-	NEXT ASSY	USED ON
MACHINING	-	APPLICATION	
TOOLING FIXTURE #	REMOVE ALL BURRS AND SHARP EDGES		

UNITS ARE: INCHES [MM]	
TOLERANCES ARE:	
FRACTIONS	DECIMALS
±1/16"	±.005"
.X ±.1 [2,5]	±1°
.XX ±.06 [1,5]	
(X.XXX) DENOTES CRITICAL DIMS. ALL THREADS ARE CRITICAL	
DRAWN	R.S. 10/25/18
CHECKED	J.M. 10/25/18
APPROVED	J.M. 10/25/18

BRASSTECH 2001 CARNEGIE AVE. SANTA ANA, CA 92705 (949) 417-5207
 INCORPORATED
CONTP-GRAB BAR MOUNT HAND SHOWER HOLDER

DWG NO. **990-0442** REV -

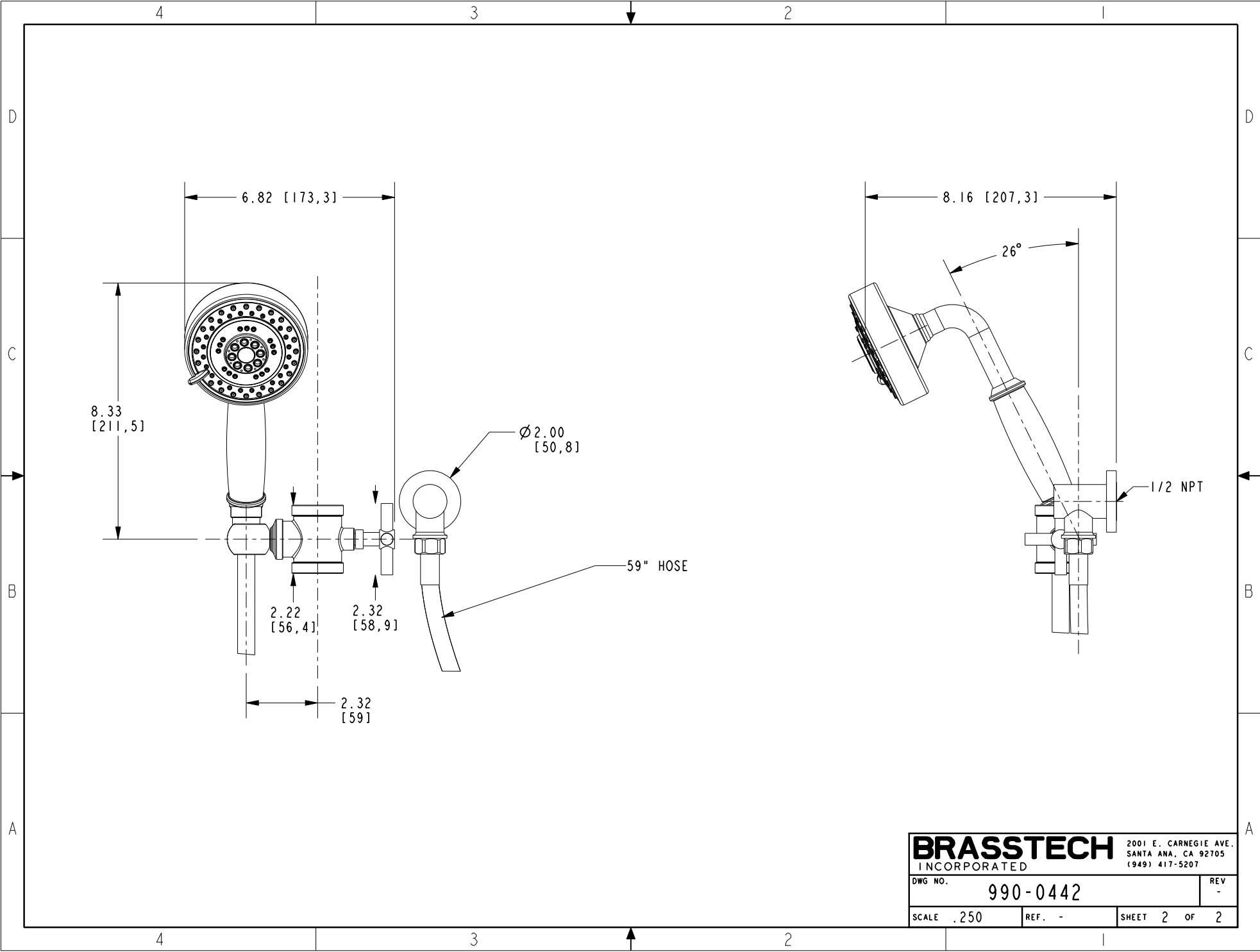
SCALE .250 REF. - SHEET 1 OF 2

-	-	EN-3568	11/05/18	J.M.
ZONE	REV	DESCRIPTION	DATE	APPROVED

4

3

2



BRASSTECH		2001 E. CARNEGIE AVE.	
INCORPORATED		SANTA ANA, CA 92705	
		(949) 417-5207	
DWG NO.	990-0442	REV	-
SCALE	.250	REF.	-
		SHEET	2 OF 2