

AXOR MyEdition
Single-Hole Faucet 70, 1.2 GPM
 Finishes : **chrome / mirror glass** Part no. : **47010001**



Description

Features

- consists of: Single-handle faucet, Plate, Pop-up drain
- PowderRain spray
- Flow: 1.2 GPM (4.5 L/Min)
- Ceramic cartridge

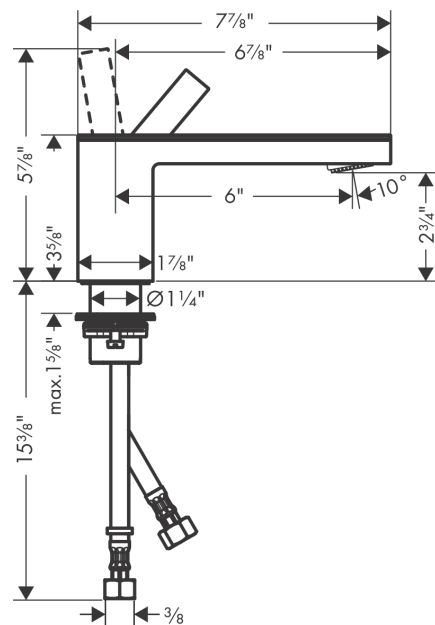
Technology



Product image



Scale drawing



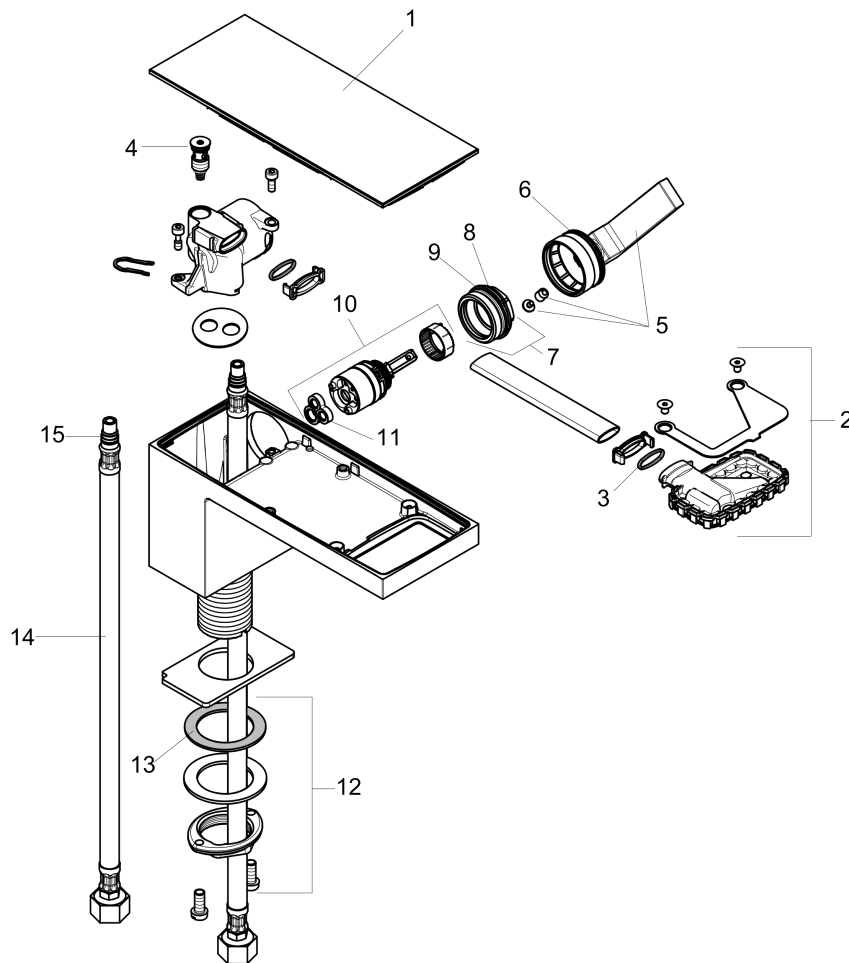
AXOR MyEdition
Single-Hole Faucet 70, 1.2 GPM
Finishes : **chrome / mirror glass**

Part no. : **47010001**



Exploded drawing

Year of production: >02/19



AXOR MyEdition
Single-Hole Faucet 70, 1.2 GPM
 Finishes : **chrome / mirror glass** Part no. : **47010001**



Spare parts list

Year of production: >02/19

Pos.	Description	Part no.	PC	PU
1	cover	47900000	0	1
2	spray former	93385000	0	1
3	O-ring 13x1,5	98475000	0	1
4	O-ring 8x1,75	97827000	0	1
5	handle	93386000	0	1
6	O-ring 33x1,5	98164000	0	1
7	nut	92926000	0	1
8	O-ring 30x1,5	98433000	0	1
9	O-ring 25x1,5	98146000	0	1
10	cartridge, assy	92900000	0	1
11	seal	93383000	0	1
12	fixing set (Ø 32)	13961000	0	1
13	lever collar	97548000	0	1
14	connection hose 35½" M8x0,75 3/8"	96316001	0	1
15	O-ring 7x1,5	98422000	0	1