

Soap Dispenser

Finishes : **stainless steel finish** Part no. : **40418800**



Description

Features

- Metal
- 10 oz capacity

Item details

List Price \$ 235.00

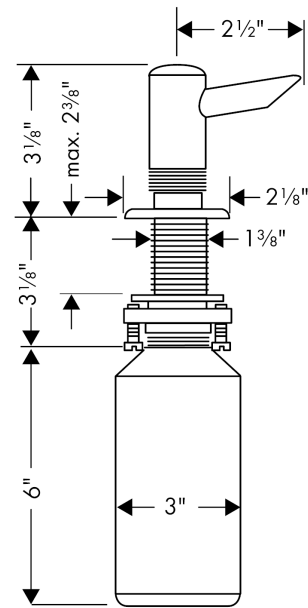
Compliance



Product image



Scale drawing



Soap Dispenser

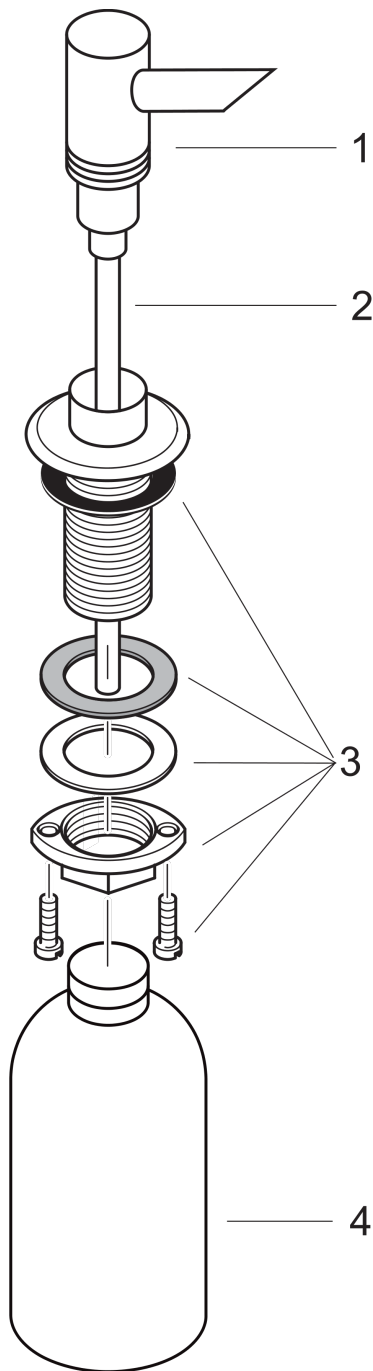
Finishes : **stainless steel finish**

Part no. : **40418800**



Exploded drawing

Year of production: **>04/00**



Soap Dispenser

Finishes : **stainless steel finish** Part no. : **40418800**



Spare parts list

Year of production: >04/00

| Pos. | Description | Part no. | Price | PU |
|------|-----------------------------|----------|-------|----|
| 1 | pump | 94182800 | - | 1 |
| 2 | pipe | 97365000 | - | 1 |
| 3 | fixing set (Ø 32) | 13961000 | - | 1 |
| 4 | bottle for lotion dispenser | 94418000 | - | 1 |