

Aspirations™ Above Counter Sinks

- 1642008 Faucet holes on 8" (102 mm) centers
- 1642001 Center hole only

- Self rimming above counter vitreous china sink
- Design coordinates with Aspirations collection
- Front overflow
- Includes EverClean® antimicrobial surface
- Supplied with cutout template

Nominal Dimensions:

22-7/8" x 18"
(582 x 458 mm)

Bowl size:

22-7/8" (582 mm) wide
13-1/8" (333 mm) front-to-back
4-1/2" (115 mm) deep

Compliance Certifications - Meets or Exceeds the Following Specifications:

- ASME A112.19.2M for Vitreous China Fixtures
- CAN/CSA B45 series

To Be Specified:

- Color: White
- Aspirations Faucet*
- 1-1/4" Trap:

* See faucet section for additional models available

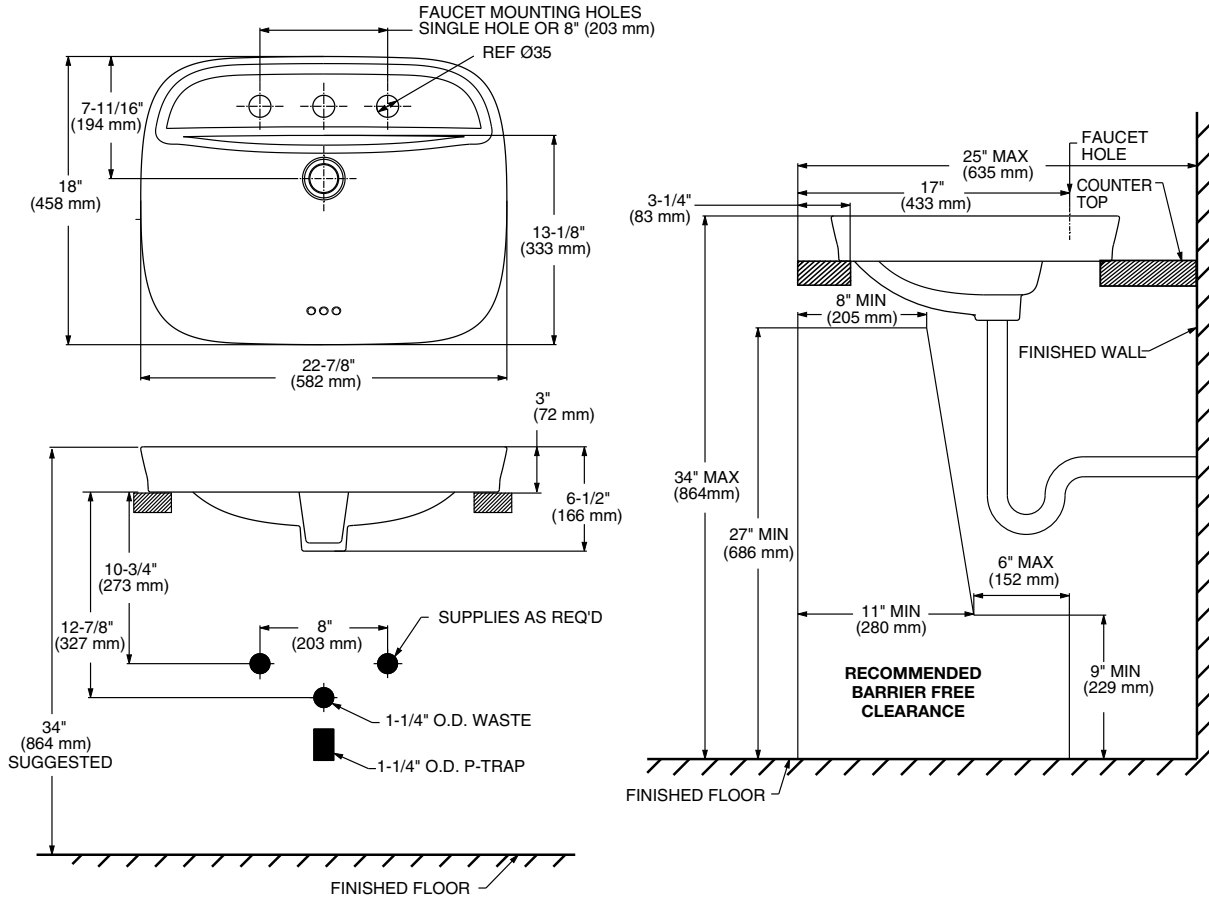


SEE REVERSE FOR ROUGHING-IN DIMENSIONS



MEETS THE AMERICANS WITH DISABILITIES ACT GUIDELINES AND ICC ANSI A117.1 ACCESSIBLE AND USABLE BUILDINGS AND FACILITIES - CHECK LOCAL CODES.

Install lavatory 864 mm (34") from finished floor.
Lavatory installed 83 mm (3-1/4") minimum from front edge of countertop provides 686mm (27") knee clearance area.



NOTES:

INSTALL PRODUCT ACCORDING TO THE INSTALLATION INSTRUCTIONS. COUNTERTOP MANUFACTURER OR CUTTER MUST USE CUTOUT TEMPLATE PROVIDED WITH PRODUCT OR A CURRENT ONE PROVIDED BY AMERICAN STANDARD. AMERICAN STANDARD IS NOT RESPONSIBLE FOR CUTOUT ERRORS WHEN THE INCORRECT TEMPLATE IS USED. * DIMENSIONS SHOWN FOR LOCATION OF SUPPLIED AND "P" TRAP ARE SUGGESTED. FITTINGS NOT INCLUDED WITH FIXTURE AND MUST BE ORDERED SEPARATELY. SEALING COMPOUND SUPPLIED BY OTHERS.

IMPORTANT: Dimensions of fixtures are nominal and may vary within the range of tolerances established by ANSI Standard A112.19.2. These measurements are subject to change or cancellation. No responsibility is assumed for use of superseded or voided pages.