

**Studio® S 33-Inch Vanity Sink
and Optional Furniture**

- 1298008** Faucet holes on 8" (203mm) centers
- 1298001** Faucet holes - center hole only
 - Vitreous china
 - Rectangular vanity sink
 - Front overflow
 - Design coordinates with Studio® S Collection
 - Supplied with cut-out template
 - Sink can be used with optional furniture

Bowl size:

22-7/16" (570 mm) wide
14-3/16" (360 mm) front-to-back
4" (102 mm) deep

Nominal Dimensions:

Vanity Sink Top Only:
33" x 20" (838 x 508 mm)

Single Vanity Option:
33" x 20" x 34-1/16" (838 x 508 x 866 mm)

Double Vanity with Vanity Middle Option:
76" x 20" x 34-1/16" (1930 x 508 x 866 mm)

- 8726033** 33" Double drawer vanity
- 8722000** Vanity leg set
- 8727000** Vanity middle
- 7720018** Optional decorative p-trap drain

**Compliance Certifications -
Meets or Exceeds the Following Specifications:**

- ASME A112.19.2/CSA B 45.1



**Studio S double 33" vanity tops 1298008 shown
with double 33" vanities 8726033, double vanity
leg sets 8722000, vanity middle 8727000 and
double widespread faucets**

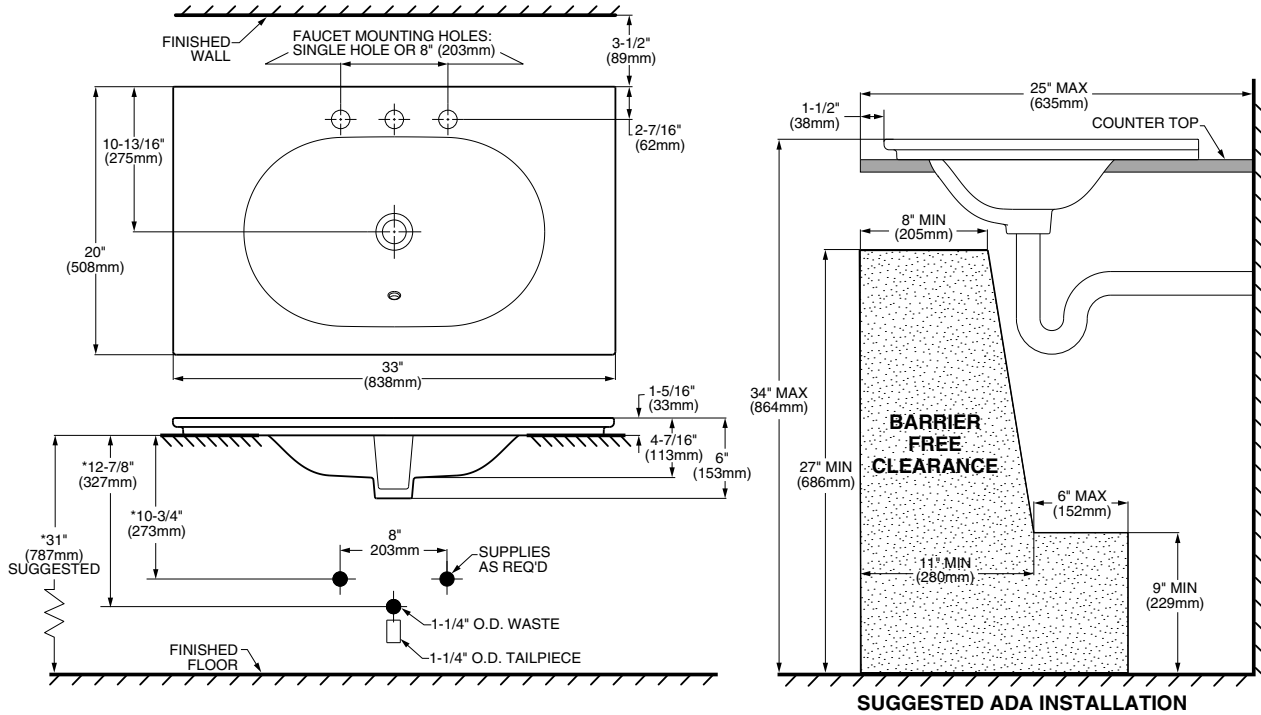
SEE FOLLOWING PAGES FOR ROUGHING-IN DIMENSIONS

To Be Specified:

- Chinaware Color: White
- Vanity Finish: White Dark Grey
- Vanity Leg Set Finish: Chrome Matte Black
- Vanity middle Finish: White Dark Grey
- Faucet:*
- Supplies:
- P-Trap Finish: Chrome Brushed Nickel

* See Studio® S faucet section for models available

SINK INSTALLED IN COUNTER BY OTHERS (NO FURNITURE OPTION)



MEETS THE AMERICANS WITH DISABILITIES ACT GUIDELINES AND ICC ANSI A117.1 ACCESSIBLE AND USABLE BUILDINGS AND FACILITIES - CHECK LOCAL CODES.

Install lavatory 34" (864mm) from finished floor. Lavatory installed 1-1/2" (38mm) minimum from front edge of countertop provides 27" (686mm) knee clearance area.

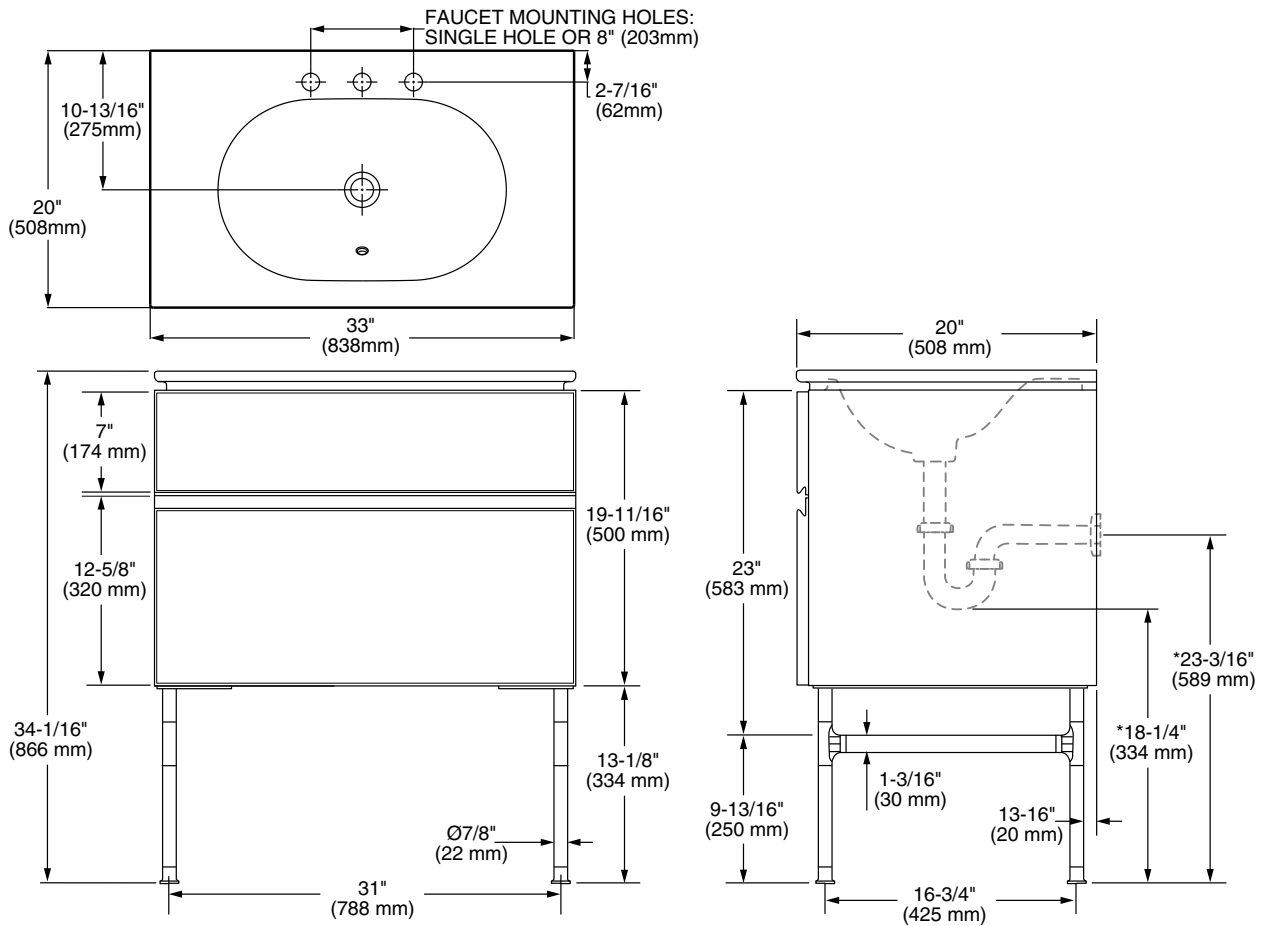
Not compliant when used with optional furniture.

NOTES:

* DIMENSIONS SHOWN FOR LOCATION OF SUPPLIES AND "P" TRAP ARE SUGGESTED. FITTINGS NOT INCLUDED WITH FIXTURE AND MUST BE ORDERED SEPARATELY. FOR COUNTERTOP CUTOUT AND INSTALLATION INSTRUCTIONS USE TEMPLATE SUPPLIED WITH SINK. FURNITURE SPECIFIC INSTRUCTIONS SUPPLIED WITH OPTIONAL FURNITURE.

IMPORTANT: Dimensions of fixtures are nominal and may vary within the range of tolerances established by ANSI Standard A112.19.2. These measurements are subject to change or cancellation. No responsibility is assumed for use of superseded or voided pages.

SINK INSTALLED IN OPTIONAL FURNITURE - SINGLE VANITY OPTION

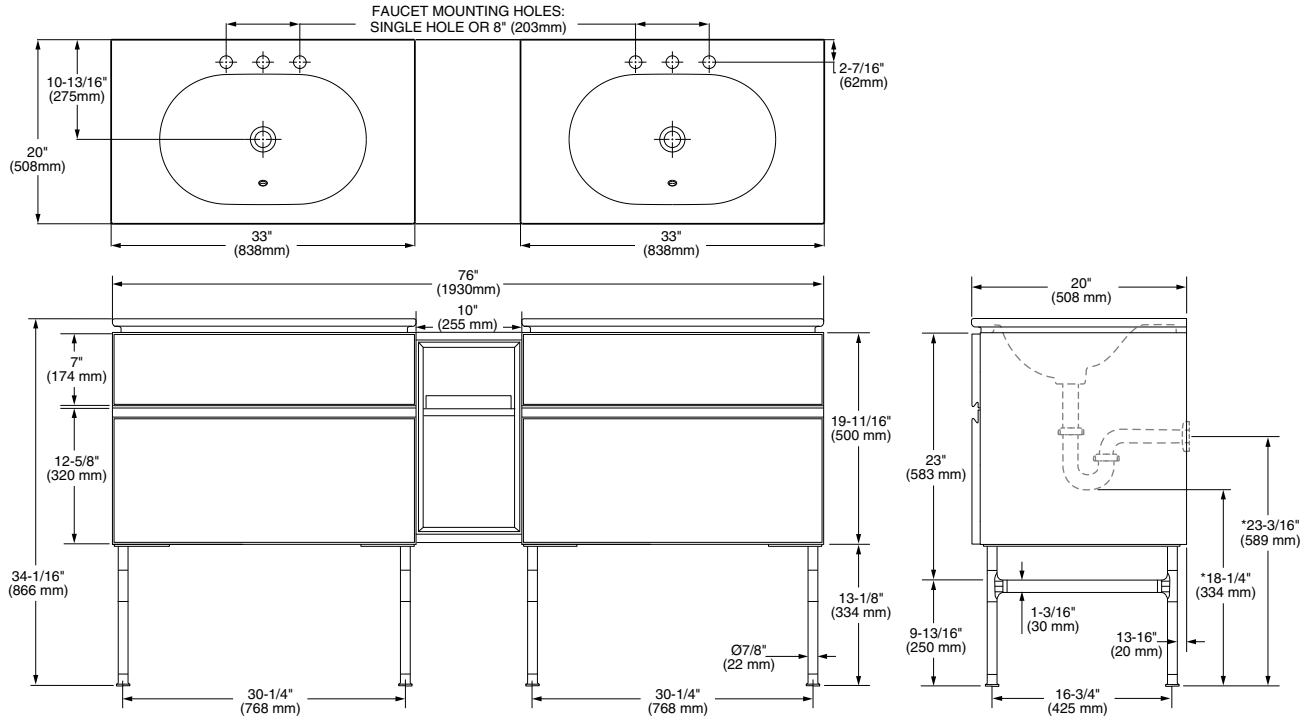


NOTE: Vanity can be installed with optional vanity leg set shown or mounted directly to wall.

NOTES:
* DIMENSIONS SHOWN FOR LOCATION OF SUPPLIES AND "P" TRAP ARE SUGGESTED.
FITTINGS NOT INCLUDED WITH FIXTURE AND MUST BE ORDERED SEPARATELY.
FURNITURE SPECIFIC INSTRUCTIONS SUPPLIED WITH OPTIONAL FURNITURE.

IMPORTANT: Dimensions of fixtures are nominal and may vary within the range of tolerances established by ANSI Standard A112.19.2. These measurements are subject to change or cancellation. No responsibility is assumed for use of superseded or voided pages.

SINK INSTALLED IN OPTIONAL FURNITURE - DOUBLE VANITY WITH VANITY MIDDLE OPTION



NOTE: Vanities can be installed with optional vanity leg set shown or mounted directly to wall.

NOTES:

* DIMENSIONS SHOWN FOR LOCATION OF SUPPLIES AND "P" TRAP ARE SUGGESTED.
 FITTINGS NOT INCLUDED WITH FIXTURE AND MUST BE ORDERED SEPARATELY.
 FURNITURE SPECIFIC INSTRUCTIONS SUPPLIED WITH OPTIONAL FURNITURE.

IMPORTANT: Dimensions of fixtures are nominal and may vary within the range of tolerances established by ANSI Standard A112.19.2. These measurements are subject to change or cancellation. No responsibility is assumed for use of superseded or voided pages.