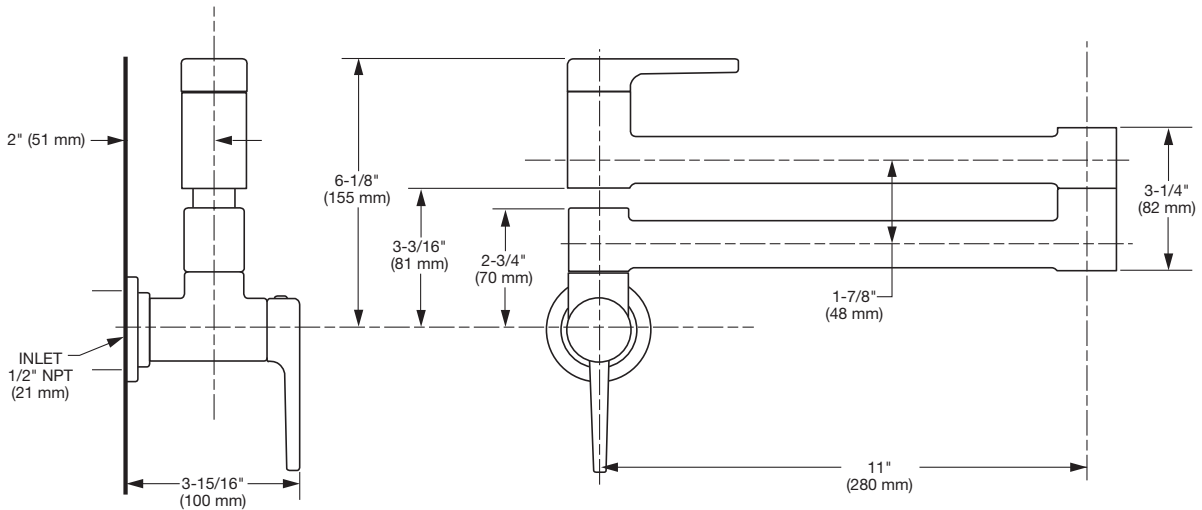


MODEL NUMBER:

❑ **4803900 Wall-Mount Swing Arm Pot Filler Kitchen Faucet**

Stainless Steel, Chrome, & Matte Black Finish.



GENERAL DESCRIPTION:

Whether gourmet chef or casual cook, the Studio S Wall-Mount Pot Filler Kitchen Faucet from American Standard lends a helping hand in every kitchen. This sleek, over-the-stove faucet eliminates the need to transfer heavy, water-filled pots from sink to stovetop and allows you to easily fill large pots that don't fit in the sink. Adjustable two-piece arm folds back, out of the way when not in use and features a one-piece lever handle. Equipped with ceramic disc valve to ensure drip-free performance, especially important for a faucet mounted over the stove.

PRODUCT FEATURES:

- Essential kitchen addition that leaves the sink free for food prep or clean-up
- Convenient for filling large pots on stovetop instead of in sink
- Extends 22-in. to easily reach pots and pans on front or back burners
- Wipe-clean, one-piece lever handle eliminates tiny crevices where build-up hides
- Drip-free performance with high quality ceramic disc valve
- Designed for cold water attachment
- Durable brass and metal construction
- Pre-installed braided nylon supply lines
- 4.0 gallons per minute (15.1 L/min.) flow rate at 45 psi
- Limited lifetime warranty

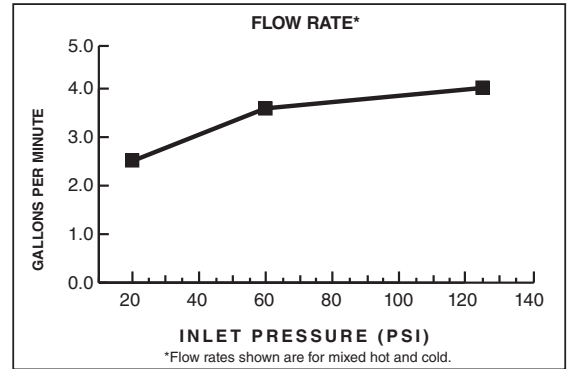
SUGGESTED SPECIFICATION

Pot filler faucet shall extend 22-in and feature one-piece lever handle. Shall also feature washerless ceramic disc valve cartridge. Faucet shall be American Standard Model # 4803900._____.


CODES AND STANDARDS

These products meet or exceed the following codes and standards:

- ANSI A117.1**
- ASME A112.18.1**
- CSA B125.1**
- NSF 61/Section 9**
- NSF 372**



Product Number	Description	Finish Options		
		Polished Chrome	Stainless Steel	Matte Black
		002	075	243
4803900	Wall-Mount Swing Arm Pot Filler Kitchen Faucet.			

 Meets the American Disabilities Act Guidelines
ANSI A117.1 Requirements for the physically challenged.