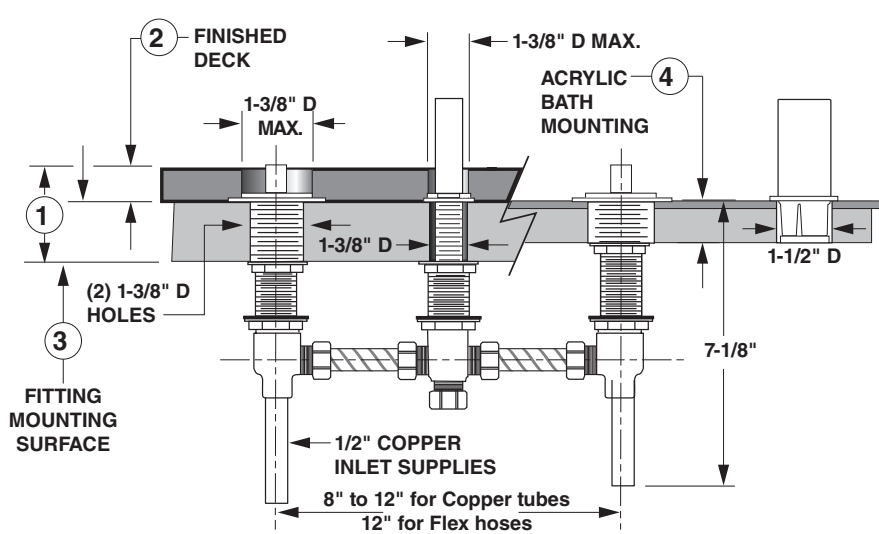
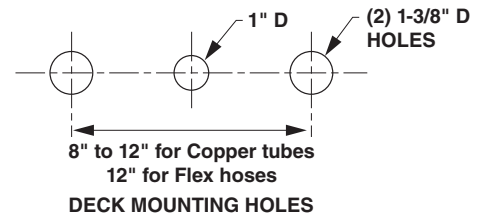


MODEL NUMBER:

- R900 Universal Roman Tub Filler Rough Body – Less Personal Shower**
- R910 Universal Roman Tub Filler Rough Body – WITH Personal Shower**
- T455900 Roman Tub Filler Trim Less Personal Shower**
- T455901 Roman Tub Filler Trim WITH Personal Shower**



- 1. DECK THICKNESS**
TOTAL DECK THICKNESS UP TO 2-1/2"
- 2. FINISHED DECK**
FINISHED DECK VARIABILITY ACCOMMODATES DECKING MATERIAL (TILE, MARBLE, CORIAN®...) TO 1" THICK
- 3. FITTING MOUNTING SURFACE**
ADJUSTABILITY, TO 1-1/2" THICK
- 4. ACRYLIC BATHS**
ADJUSTABILITY, TO 1-1/2" THICK



GENERAL DESCRIPTION:

Rough Valve: features separate brass and 1/2" copper waterway below deck provided for adjustable installations. Washerless 1/4 turn ceramic disc valve cartridges. Total rough-in up to 2-1/2". Rough valve body provides 1-1/2" for rough deck installation. Durable brass spout. Metal lever handles. Trim kit provides an additional 1" adjustability for finished deck.

PRODUCT FEATURES:

Brass Construction: Durable. Ideal for prolonged contact with water.

Ceramic Disc Valve Cartridge: Assures a lifetime of drip-free performance.

Exclusive Handle Alignment System: Allows fine tuning of handle position.

SUGGESTED SPECIFICATION

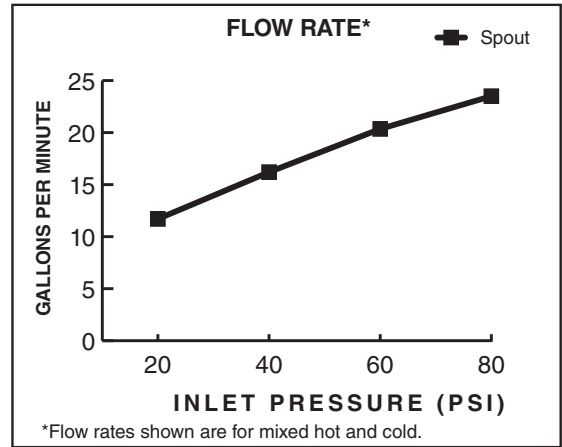
Two handle deck-mount tub filler shall feature cast brass construction with brass and copper waterway. Shall also feature 1/4 turn washerless ceramic disc valve cartridges. Fitting shall be American Standard Model # R9__ and trim kit # T455____.



CODES AND STANDARDS


These products meet or exceed the following codes and standards:

ASME A112.18.1
CSA B125.1

Check local plumbing codes. Some installations may require a vacuum breaker.



Product Number	Description	Finish Options			
		Polished Chrome	Legacy Bronze	PVD Satin Nickel	Polished Nickel
		002	278	295	013
T455900	Roman Tub Filler LESS Personal Shower. 				
T455901	Roman Tub Filler WITH Personal Shower. 				

 Meets the American Disabilities Act Guidelines and **ANSI A117.1** Requirements for the physically challenged.

Roughing-In Dimensions Trim Kit

