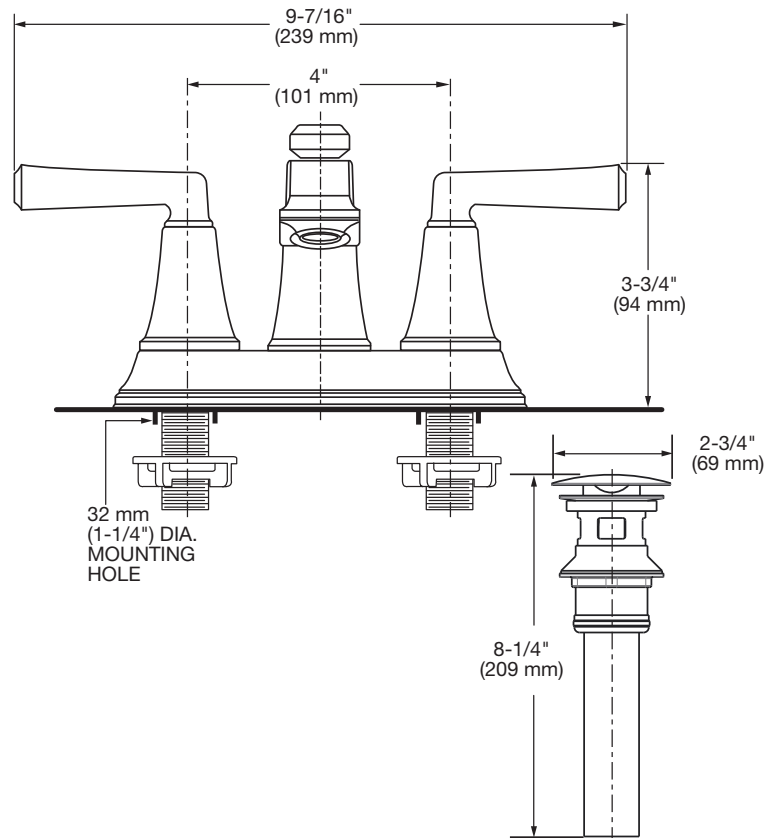
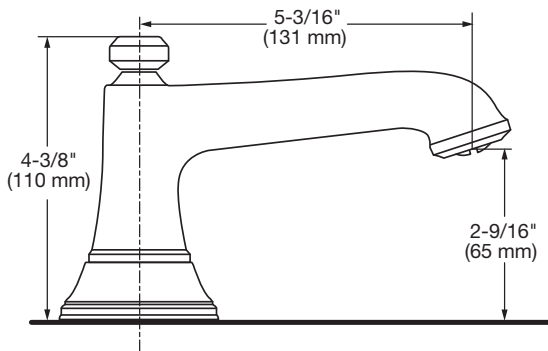


MODEL NUMBER:

□ **7455207 - Town Square S Centerset Lavatory Faucet**

Metal Lever handles. Metal push pop-up drain



GENERAL DESCRIPTION:

- Centerset lavatory faucet on 4" centers
- 1/4 turn washerless ceramic disc valve cartridges
- Cast brass spout
- 1/2" male inlet shanks
- Metal lever handles
- 1.2 gpm/4.5 L/min maximum flow rate

PRODUCT FEATURES:

Ceramic Disc Valve Cartridge: Assures a lifetime of drip-free performance.

Lead Free: Faucet contains $\leq 0.25\%$ total lead content by weighted average.

Simple Installation: Fast and easy one person installation. Faucet drops in from top. Quick spin nuts secure faucet in place.

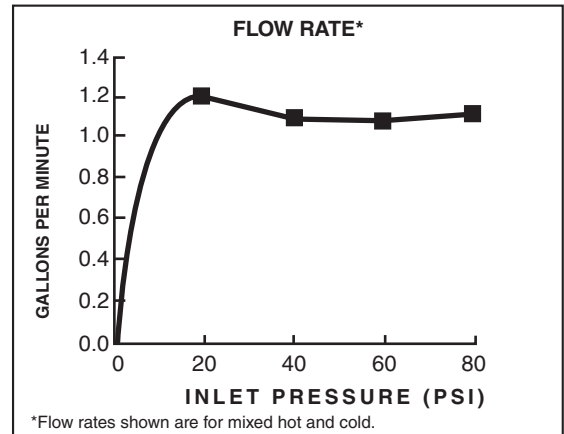
SUGGESTED SPECIFICATION

Two-handle 4" centerset lavatory faucet shall feature 1/4 turn washerless ceramic disc valve cartridges. Fitting shall be American Standard Model # 7455207.____.

CODES AND STANDARDS

These products meet or exceed the following codes and standards:

- ANSI A117.1**
- ASME A112.18.1**
- CSA B125.1**
- NSF 61/Section 9**
- NSF 372**



Product Number	Description	ADA	Finish Options			
			Polished Chrome	Legacy Bronze	PVD Brushed Nickel	Polished Nickel
			002	278	295	013
7455207	Town Square S Two Handle Centerset.	ADA				

 Meets the American Disabilities Act Guidelines and **ANSI A117.1** Requirements for the physically challenged.