

**COLONY® 33 x 22 DOUBLE BOWL
STAINLESS STEEL KITCHEN SINK KIT**

- 20DB.8332283C.075** 50/50 Double Bowl Sink Kit
Includes:
- Colony double bowl sink
 - Waste fitting
 - Colony Pro single control faucet with deck plate
 - Cutout template, installation instructions and top mount hardware included



COMPONENT SPECIFICATIONS:

- 20DB.8332283S.075** Stainless Steel Sink
- Colony 50/50 Double Bowl
 - 3 hole
 - 20 Gauge Stainless Steel
 - 8" deep bowl
 - Top mount installation
 - 36" (914mm) cabinet required
 - Limited Lifetime Warranty

Nominal Dimensions:

33" x 22" x 8"
(838 x 559 x 203mm)

Bowl Size (equal size bowls):

14" (356mm) wide
16" (406mm) front to back
8" (203mm) deep

- 7074000.075** Colony Pro Single Control
Faucet with Deck Plate
- 1.5 gpm/5.7 Lpm maximum flow
 - Brass swivel spout
 - Ceramic disc valve cartridge for drip free performance
 - Metal deck and handle
 - Lead Free: Faucet contains $\leq 0.25\%$ lead content by weighted average
 - Integrated braided stainless steel supply lines
 - Limited Lifetime Warranty

- Strainer**
- Standard 3-1/2" (89mm) diameter
 - One year limited warranty

SEE REVERSE FOR ROUGHING-IN DIMENSIONS
AND PRODUCT SPECIFICATIONS

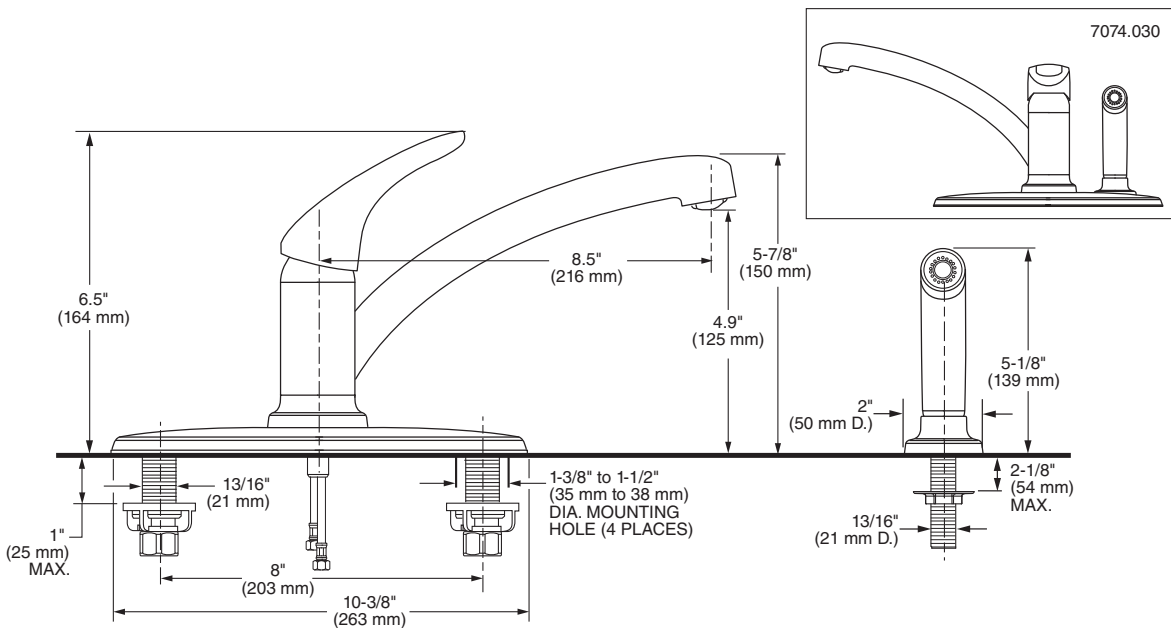
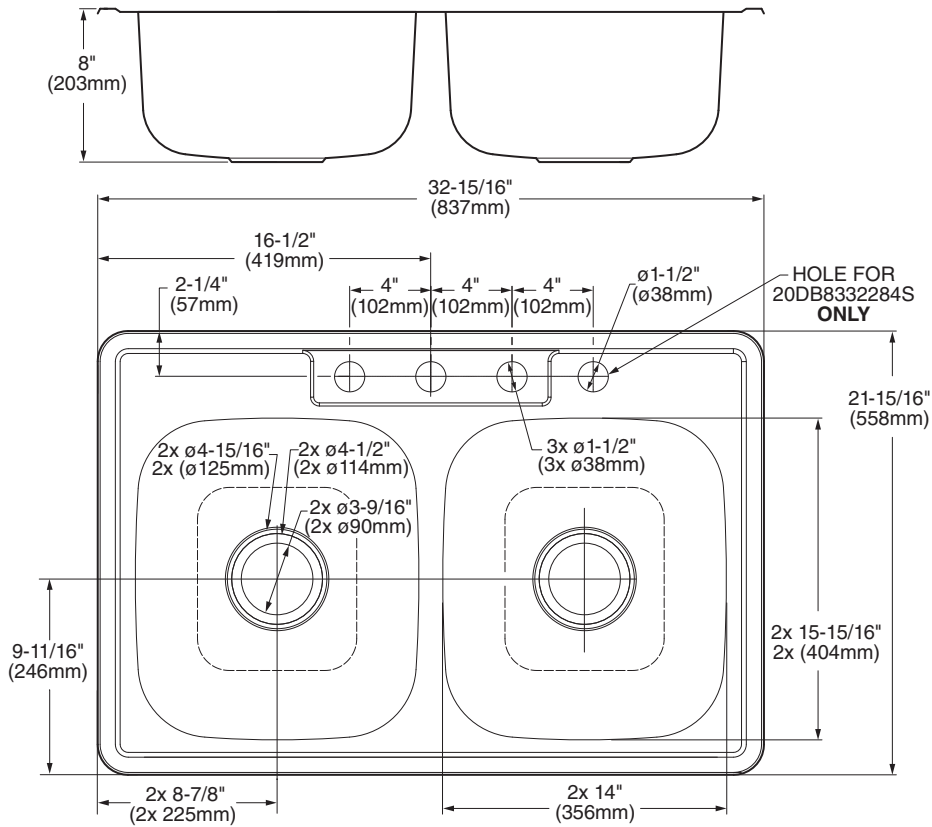
Suggested Specifications:

- Color: Stainless Steel .075
 Faucet Finish: Stainless Steel .075
 Waste Fitting Finish: Stainless Steel .075
 Supplies: 1/2" (13mm) IPS Inlets

**Compliance Certifications - Meets or Exceeds
the Following Specifications:**

- **SINK:**
ASME A112.19.3
- **FAUCET:**
ASME A112.18.1
CSA B125.1
NSF 61/Section 9
NSF 372

**COLONY® 33 x 22 DOUBLE BOWL
STAINLESS STEEL KITCHEN SINK KIT**
20 GAUGE STAINLESS STEEL



NOTES:
* DIMENSIONS SHOWN FOR LOCATION OF SUPPLIED AND "P" TRAP ARE SUGGESTED.
SEALING COMPOUND SUPPLIED BY OTHERS.

IMPORTANT: Dimensions of fixtures are nominal and may vary within the range of tolerances established by ANSI Standard A112.19.3. These measurements are subject to change or cancellation. No responsibility is assumed for use of superseded or voided pages.