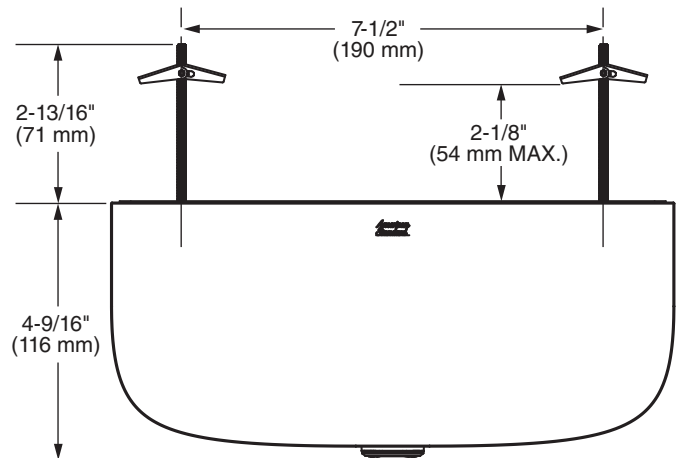
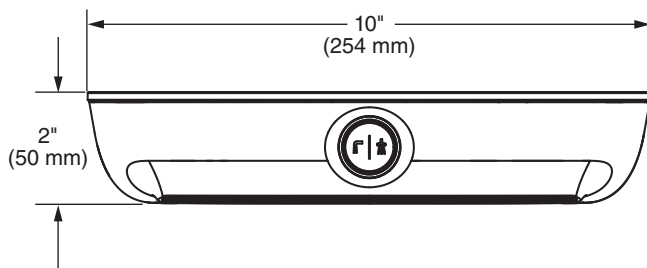


MODEL NUMBER:

□ 8888116 Waterfall Tub Spout



GENERAL DESCRIPTION:

Plastic body and push button diverter with an anti-scratch acrylic top. Stainless steel mounting plate with anchor screws, allen key and sprite level provided. Waterfall outlet delivers sheet-like, cascading stream.

PRODUCT FEATURES:

Durable Construction: Durable. Features an anti-scratch acrylic top with a plastic body and push button.

Adaptable Installation: Designed for IPS/Slip-On and Sweat installation with 1" installation flexibility.

Customizable Look: Can be paired with coordinating Aspirations collection or any trim in the American Standard brand line. Available in Chrome, Brushed Nickel and Matte Black.

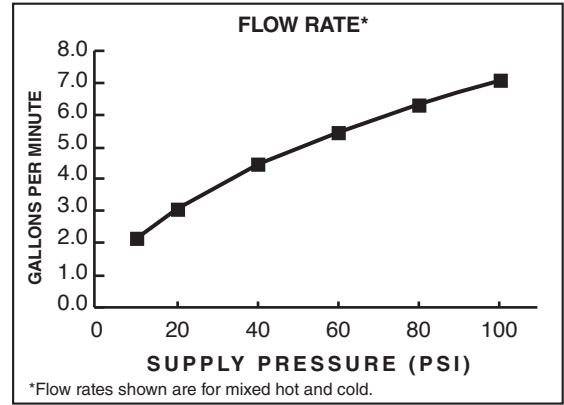
SUGGESTED SPECIFICATION

Tub spout shall feature a plastic body and push button diverter. Fitting shall be equipped with brass adapters that work with both 1/2"-14 NPT and 1/2" copper tube connection. Shall also feature a waterfall outlet. Fitting shall be American Standard Model #8888116.XXX.

CODES AND STANDARDS

These products meet or exceed the following codes and standards:

- ANSI A117.1**
- ASME A112.18.1**
- CSA B125.1**



| Product Number | Description | Finish Options | | | |
|----------------|----------------------|-----------------|--------------------|-------------|---|
| | | Polished Chrome | PVD Brushed Nickel | Matte Black | |
| | | 002 | 295 | 243 | |
| 8888116 | Waterfall Tub Spout. | ADA | ✓ | ✓ | ✓ |

ADA Meets the American Disabilities Act Guidelines and **ANSI A117.1** Requirements for the physically challenged.