



PORTSMOUTH® CHAMPION® PRO
RIGHT HEIGHT® ELONGATED TOILET

213AA 104

- Features **Champion® Flushing System**
- Vitreous china
- High Efficiency Toilet (HET), ultra-low consumption (1.28 gpf/4.8 Lpf), utilizes 20% less water
- Meets EPA WaterSense® Criteria
- Trade exclusive tank
- PowerWash® rim scrubs bowl with each flush
- Metal shank fill valve
- Includes EZ-Install tools w/colour match bowl caps
- EverClean® Surface included
- 4" piston-action Accelerator™ flush valve
- Fully-glazed 2-3/8" trapway
- 16-1/2" (419mm) rim height for accessible applications
- 12" (305mm) rough-in
- Generous 9" x 8" (229 x 203mm) water surface area
- Chrome finish trip lever is supplied
- 1,000g MaP Score** at 1.07 gpf/4.8 Lpf
- 10 year warranty
- **Coordinates with Portsmouth Suite**

3195A 101 Right Height® Elongated Bowl

4327A 104 Tank

Nominal Dimensions:

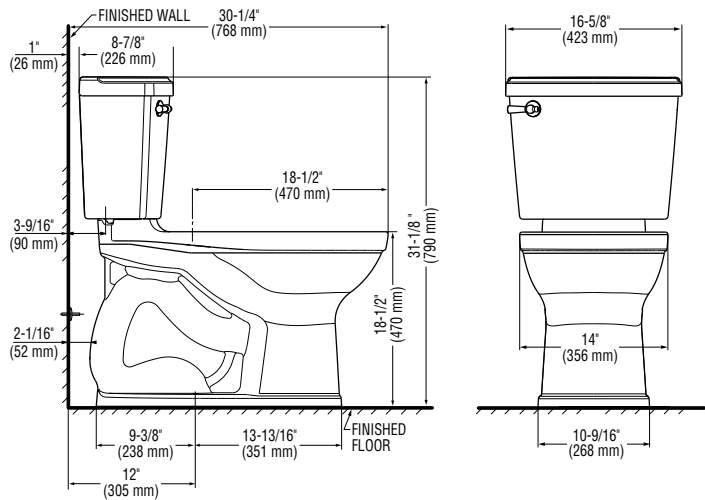
768 x 423 x 790mm (30-1/4" x 16-5/8" x 31-1/8")

Fixture only, seat and supply sold separately

Compliance Certifications -

Meets or Exceeds the Following Specifications:

- ASME A112.19.2-2008/CSA B45.1-08 for Vitreous China Fixtures
- US EPA WaterSense® Specification for HETs



** Maximum Performance (MaP) testing performed by IAPMO R&T Lab. MaP Report conducted by Veritec Consulting, Inc. and Koeller and Company.

To Be Specified:

- Colour: White Linen
- Seat: #5214 110 Elongated traditional slow close solid plastic seat and cover
- #5325 010 Elongated Champion® Slow Close solid plastic seat and cover
- Supply with stop:

NOTES:

THIS TOILET IS DESIGNED TO ROUGH-IN AT A MINIMUM DIMENSION OF 305MM (12") FROM FINISHED WALL TO C/O OF OUTLET.

SUPPLY NOT INCLUDED WITH FIXTURE AND MUST BE ORDERED SEPARATELY.

* DIMENSION SHOWN FOR LOCATION OF SUPPLY IS SUGGESTED.

IMPORTANT: Dimensions of fixtures are nominal and may vary within the range of tolerances established by ANSI Standard A112.19.2.

These measurements are subject to change or cancellation. No responsibility is assumed for use of superseded or voided pages.



MEETS THE AMERICANS WITH DISABILITIES ACT GUIDELINES AND ANSI A117.1 REQUIREMENTS FOR ACCESSIBLE AND USABLE BUILDING FACILITIES-CHECK LOCAL CODES.

