

Aspirations™ 60"x30" Apron Bathtub

2963102 BATHTUB

Right Drain

2963202 BATHTUB

Left Drain

Stylish Design:

- High-gloss acrylic with fiberglass reinforcement
- Integral apron with clean, minimalist design
- Spaciously designed to provide maximum bathing space with a wide and deep bathing well
- Color matched white slotted overflow and drain for seamless look and increased soaking depth (sold separately)
- Textured floor help to improve safety
- Smooth lumbar support for increased back comfort
- Form fitted tub pillow for maximized comfort sold separately
- Coordinates with Aspirations™ bathroom suite

Easy Install and Care:

- High-gloss surface allows easier maintenance and cleaning
- Integral three-sided, 1" tiling/water retention flange helps prevent water seepage
- Pre-leveled tub bottom for easier installation
- Integral lumbar support provides extra comfort
- Limited Lifetime warranty

Nominal Dimensions:

60" x 30" x 18"

(1524 x 762 x 457mm)

Compliance Certifications - Meets or Exceeds the Following Specifications:

- CSA B45.5/ IAPMO Z124
- cUPC

To Be Specified - Required

- Color:
 - 020 White
- 1616000.020 Slotted Drain

Optional Components

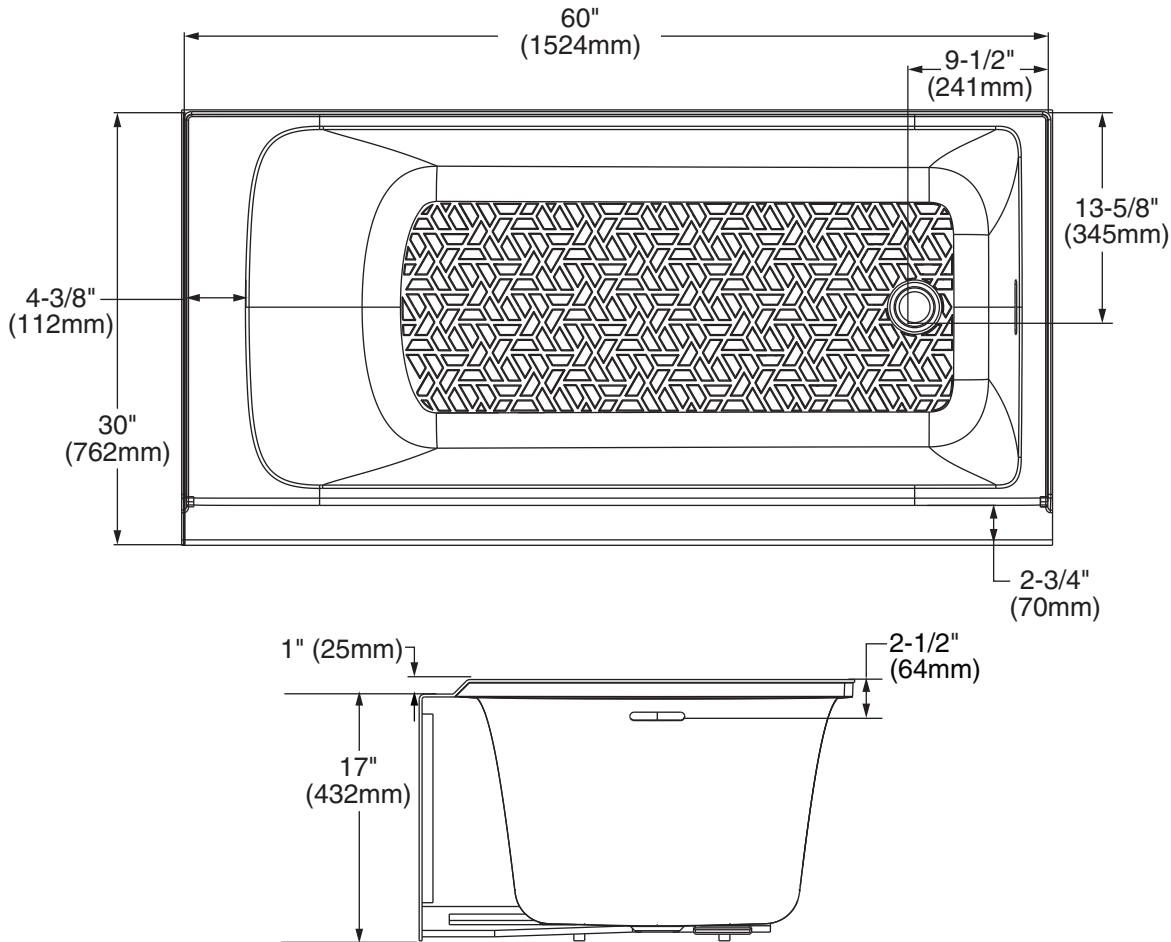
- Bath Walls:
 - 2951BWT32.020
- Shower Doors:
 - AM00853400.213 - Chrome
 - AM00853400.245 - Matte Black
 - AM00853400.295 - Brushed Nickel
- Pillow:
 - 7181000



SEE REVERSE FOR ROUGHING-IN DIMENSIONS
AND PRODUCT SPECIFICATIONS

 MEETS THE AMERICANS WITH DISABILITIES ACT GUIDELINES
AND ANSI A117.1 REQUIREMENTS FOR ACCESSIBLE AND
USEABLE BUILDING FACILITIES-CHECK LOCAL CODES.
INSTALL WITH SEAT AT HEAD END.

© 2023 AS America Inc.



GENERAL SPECIFICATIONS FOR 2963 102/202 TUB	
INSTALLED SIZE	60 x 30 x 18 In. (1524 x 762 x 455mm)
WEIGHT	75 Lbs. (34 Kg)
WEIGHT w/WATER	575 Lbs.(261 Kg)
GAL. TO OVERFLOW	53.66 Gal. (203 L)
BATHING WELL AT SUMP	43-1/8 x 19-3/8 In. (1097 x 494mm)
BATHING WELL AT RIM	53-1/8 x 25 In.(1348 x 634mm)
WATER DEPTH TO OVERFLOW	14 In. (356mm)
FLOOR LOADING	46 Lbs./Sq.Ft. (224.6 Kg/Sq.m)
LUMBAR ANGLE	24.7 deg
PROJECTED AREA	12.5 sq ft (1.161 sq m)
PROJECTED VOLUME	18.75 cu ft (0.530 cu m)

NOTES:

- BATH TO BE INSTALLED ABOVE FLOOR LINE AS A RECESS INSTALLATION.
- REFER TO INSTALLATION INSTRUCTIONS SUPPLIED WITH TUB FOR ADDITIONAL INFORMATION.
- FITTINGS NOT INCLUDED AND MUST BE ORDERED SEPARATELY.
- PROVIDE SUITABLE REINFORCEMENT FOR ALL SUPPORTS.
- MOUNTING HOLES DRILLED BY INSTALLER.

IMPORTANT: Dimensions of fixtures are nominal and may vary within the range of tolerances established by ANSI Standard CSA B45.5-11/IAPMO Z124. These measurements are subject to change or cancellation. No responsibility is assumed for use of superseded or voided pages.