

SAFETY. COMFORT. BEAUTY. VALUE.

There is no sacrifice with American Standard Walk-In Baths. Deep and spacious, all of our walk-in baths are thoughtfully designed to provide accessible and comfortable bathing experiences. Our Value Series Walk-In Baths offer popular features and beneficial options packaged together at a competitive price point well suited for all of your project needs. You can trust American Standard to provide innovative features along with the quality, reliability and service you have come to expect with our 140 year heritage.

MODEL 2848.509

- High quality gelcoat with fiberglass reinforcement
- 28" wide x 48" long x 38"
- Operating capacity: 45 gallons
- Color: white or linen
- Left hand or right hand door & drain

BUILT-IN FEATURES

- Patented Quick Drain® fast water removal technology
- Premium tub filler faucet included
- Extension kit to fit into 60" space
- Whirlpool heater
- Large, watertight door system
- Built-in chair height seat
- Color matched safety bar
- Color matched cable driven drain
- Textured tub floor
- Pump and fixture access panels
- Free standing metal support frame
- Lifetime warranty on door seal; 10 years on the tub shell; 5 years on components



Quick Drain® Included

Our exclusive Quick Drain® technology empties tub in less than two minutes and requires no additional plumbing. Spend less time waiting with this patented innovation.



Whirlpool

Enjoy therapeutic benefits of deep massage



Air Spa

A gentle effervescent experience



Combination

Combines both Air Spa and Whirlpool systems for a full in-home spa experience

Walk-In Bath

2848 Value Series

www.americanstandard-us.com/safe-and-accessible

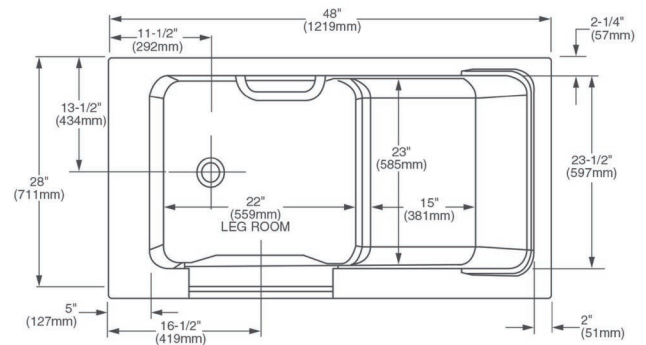


VALUE SERIES

28" x 48" WALK-IN BATH SOAKING TUB, AIR SPA & WHIRLPOOL

2848.509.SXX Soaking Tub

- Includes exclusive Quick Drain® fast water removal technology
- Premium gelcoat construction
- Free standing metal support frame with five adjustable leveling feet
- Easy access, watertight door system
- Contoured, built-in seat
- Built-in safety bar and textured tub floor
- Premium deck-mounted tub filler faucet with hand shower
- Color matched cable driven drain assembly
- Extension kit to fit into 60" space

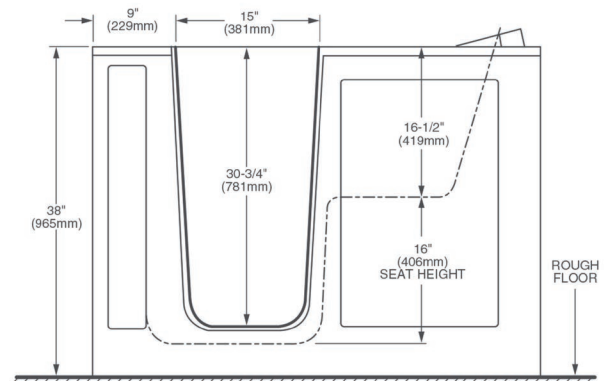


2848.509.WXX Whirlpool System

- Includes features of the Soaking Tub plus...
- In-line whirlpool heater*
- Easy touch push button control
- 5.5 amp pump
- 8 variable flow massage jets

2848.509.AXX Air Spa System

- Includes features of the Soaking Tub plus...
- Easy touch push button control
- Heated blower
- 21 seat and floor air injectors
- Automatic purge cycle



2848.509.CXX Combination System

- Includes features of the Soaking Tub plus...
- Combines Whirlpool and Air Spa System

Nominal Dimensions:

28" x 48" x 38"
(711 x 1219 x 965mm)

Compliance Certifications -

Meets or Exceeds the Following Specifications:

- ETL - INTERTEK SEMKO
- IAPMO - USPC
- ANSI Z 124.1.2 - for Plastic Bathtubs
- ASME A112.19.7 - Whirlpool Appliances
- ASME A112.19.15 - for Walk-In Bathtubs
- CSA B-45.5 - Canadian Plumbing Fixtures

To Be Specified - Required:

- Drain Configuration: Left (L) or Right (R)
- Color: White (W) or Linen (L)
- Chromatherapy: 9CTP
- Neck Rest: 9NR
- Handshower Glide Bar: 9HSB
- 24 inch Grab Bar: 9GB-24

* **Note:** The whirlpool heater is designed to maintain water temperature during operation. It will not heat cold water to desired bathing temperature.

GENERAL SPECIFICATIONS FOR 2848.509.XXX WALK-IN BATHTUB

| | |
|--------------------------------|----------------------------------|
| INSTALLED SIZE | 48x28x38In. (1219x711x965mm) |
| WEIGHT | 150Lbs. (68Kg.) |
| WEIGHT w/WATER | 528Lbs. (238Kg.) |
| OPERATING GALLON | 45Gal. (170L.) |
| FLOOR LOADING (PROJECTED AREA) | 56 Lbs./Sq. Ft. (275 Kgs/Sq. m.) |
| CUBE (FT ³) | 28.8 |

Notes:

TUB IS SUPPORTED BY THE FRAME AND FIVE INTEGRATED ADJUSTABLE FEET, NO ADDITIONAL SUPPORT REQUIRED.

REFER TO INSTALLATION INSTRUCTIONS SUPPLIED WITH TUB FOR ADDITIONAL INFORMATION.

PROVIDE SUITABLE REINFORCEMENT TO SUB FLOOR FOR ALL SUPPORTS.

IMPORTANT: Dimensions of fixtures are nominal, may vary and are subject to change or cancellation.

No responsibility is assumed for use of superseded or voided leaflet.