

**Cadet® PRO™ Extra Tall Height
Elongated 10" Rough-In Toilet less Seat**

□ 215TB104

- Cadet PRO Extra Tall is American Standard's tallest toilet - a full 2-1/2" taller than our chair height configurations
- Features the **Cadet® Flushing System**
- Vitreous china
- High Efficiency Toilet (HET), ultra-low consumption (4.8 Lpf/1.28 gpf), utilizes 20% less water
- Meets EPA WaterSense® criteria
- Trade exclusive tank
- PowerWash® rim scrubs bowl with each flush
- Robust metal trip lever & metal shank fill valve
- Includes EZ-Install Tools w/color match bowl caps
- EverClean® surface included
- 3" flush valve
- Fully-glazed 2-1/8" trapway
- 19" rim height for extra comfort
- 10" (254mm) rough-in
- Generous 9" x 8" water surface area
- Chrome finish trip lever is supplied
- 5 year warranty

- **3517T101** Extra Tall Height Elongated Bowl
□ **4188B104** Tank

Nominal Dimensions:

717 x 460 x 835 mm (28-1/4" x 18-1/8" x 32-7/8")

Fixture only, seat and supply sold separately

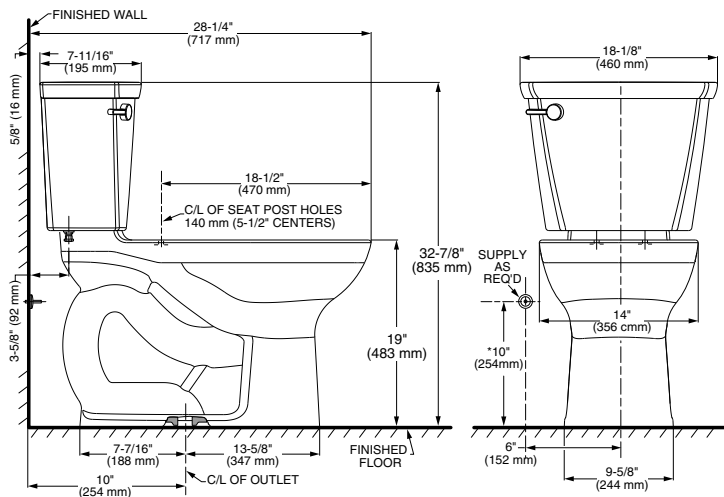
Alternative Tank Configuration Available:

- **4188B105** Tank complete with trip lever located on right side

Compliance Certifications -

Meets or Exceeds the Following Specifications:

- ASME A112.19.2/CSA B45.1 for Vitreous China Fixtures
- US EPA WaterSense® Specification for HETs



NOTES:

THIS TOILET IS DESIGNED TO ROUGH-IN AT A MINIMUM DIMENSION OF 254MM (10") FROM FINISHED WALL TO C/L OF OUTLET. SUPPLY NOT INCLUDED WITH FIXTURE AND MUST BE ORDERED SEPARATELY. * DIMENSION SHOWN FOR LOCATION OF SUPPLY IS SUGGESTED.

IMPORTANT: Dimensions of fixtures are nominal and may vary within the range of tolerances established by ANSI Standard A112.19.2. These measurements are subject to change or cancellation. No responsibility is assumed for use of superseded or voided pages.

To Be Specified:

- Color: □ White
- Seat: Sold separately. Suggest 5503A00B Slow-Close Elongated or Equivalent.
- Supply with stop:

