

**Portsmouth® 18" x 16" ADA Single Bowl
Stainless Steel Kitchen Sink**

□ 18SB6181600S.075

- Single Bowl Stainless Steel kitchen sink
- 18 Gauge Stainless Steel
- 6" depth
- Undermount installation
- 21" (533mm) cabinet required
- Includes:
 - 9028000.075 Waste Fitting
 - 791676-100.0070A Undermount Sink Clips
- Features SoundSecure+™ Sound Pads
- Features StoneLock™ Undercoating
- Cutout template and instructions included
- Limited Lifetime Warranty



Nominal Dimensions:

17-13/16" x 15-15/16" x 6"
(453 x 405 x 152mm)

Bowl Size:

15-7/8" (403mm) wide
13-15/16" (354mm) front to back
6" (152mm) deep

SEE REVERSE FOR ROUGHING-IN DIMENSIONS
AND PRODUCT SPECIFICATIONS

**Compliance Certifications - Meets or
Exceeds the Following Specifications:**

- ASME A112.19.3

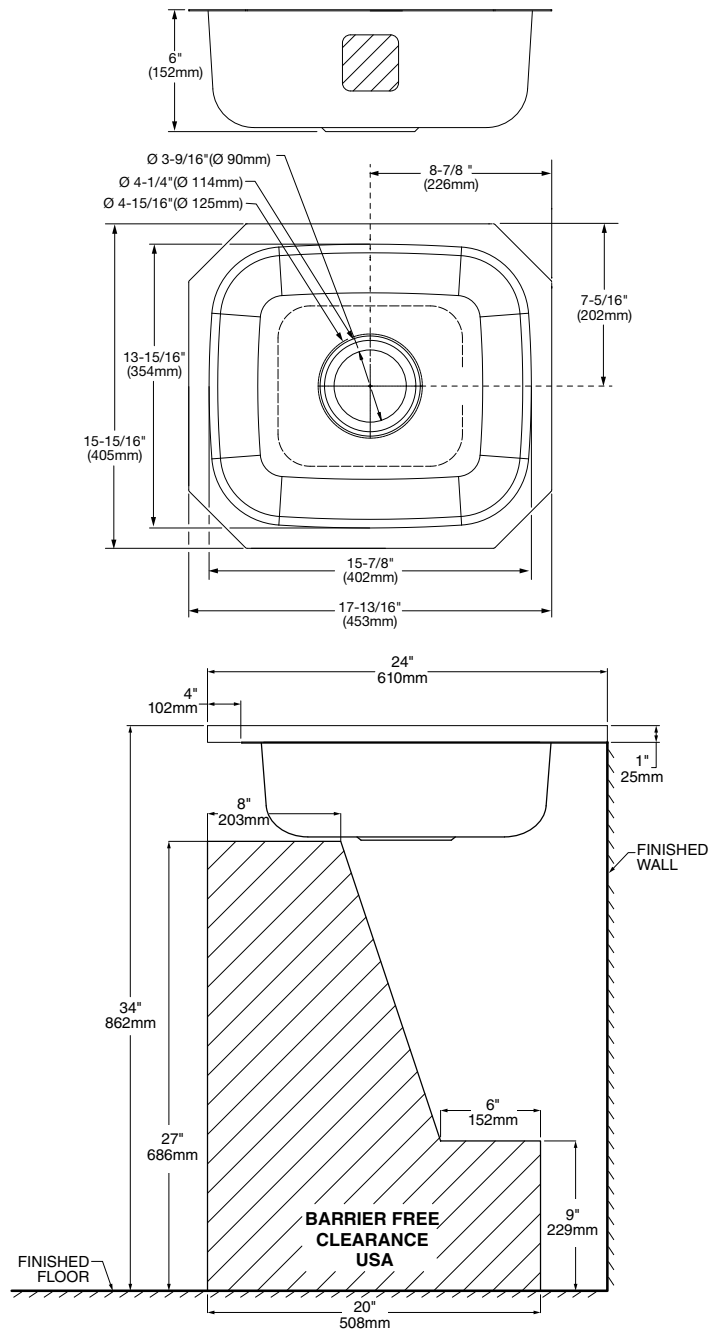
To Be Specified:

- Color: Stainless Steel .075
- Optional Bottom Grid: 8448.181600.075



Meets the American Disabilities Act Guidelines and ANSI A117.1
Requirements for the physically challenged.

Portsmouth® 18" x 16" ADA Single Bowl
Stainless Steel Kitchen Sink
18 GAUGE STAINLESS STEEL



To ensure ADA compliance:

- Counter top thickness not to exceed 1" (25mm) thick and surface mounted 34" (863mm) above the finished floor.
- Product to be installed according to installation instructions, diagrams and requirements outlined.

NOTES:

* DIMENSIONS SHOWN FOR LOCATION OF SUPPLIES AND "P" TRAP ARE SUGGESTED.
FITTINGS NOT INCLUDED WITH FIXTURE AND MUST BE ORDERED SEPARATELY.
SEALING COMPOUND SUPPLIED BY OTHERS.

IMPORTANT: Dimensions of fixtures are nominal and may vary within the range of tolerances established by ANSI Standard A112.19.3. These measurements are subject to change or cancellation. No responsibility is assumed for use of superseded or voided pages.