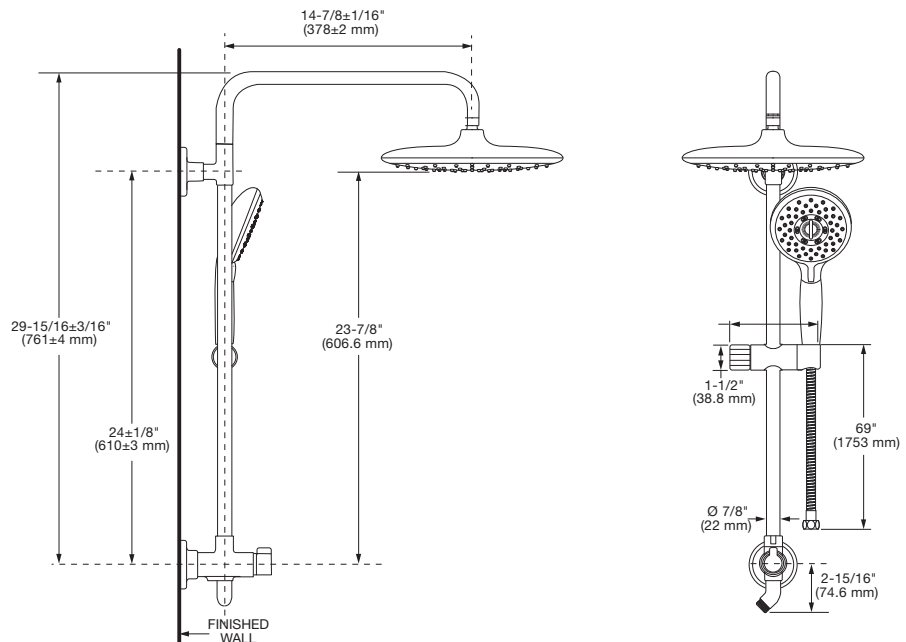


MODEL NUMBER:

102907XXX0 Shower System Kit 1.8 version

Includes:

- Spectra® Handheld® 4 Function Hand Shower
- Spectra® Rain® 11" Showerhead
- 3-Function Rotary Handle Diverter
- Slide Bar with Easy Glide Holder
- 69" Hose



GENERAL DESCRIPTION:

Complete shower system kit includes: 24" (610 mm) shower system; 69" (1750 mm) shower hose; a Spectra handheld water saving hand shower. 5" (127 mm) hand shower adjusts from drench to sensitive to Powerwash® to massage. 11" (280 mm) rain showerhead. Pressure compensating flow control device. Slide bar features an adjustable shower holder which can be set at any height or position along the bar and angle up to 45°. Kit includes two check valves to prevent backflow. A rotary handle diverter switches the water flow between hand shower, rainshower or both.

PRODUCT FEATURES:

Water Saving: WaterSense® certified

3-Function Rotary Handle Diverter:

Toggle between showerhead and hand shower for use alone or together.

Shower Hose: Extra-long 69" hose is made of durable metal.

HAND SHOWER

Variety of Spray Functions: Allows the user to select the spray functions best suited to their needs.

SLIDE BAR

Simple Height Adjustment: Allows positioning of the personal shower anywhere along the bar.

Push button diverter: Easy to switch between hand shower, rain shower or both.

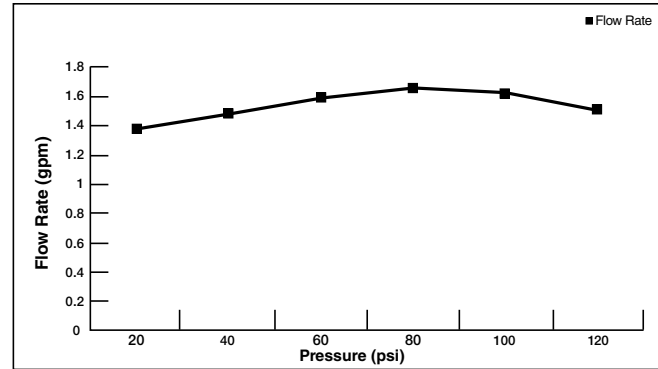
SUGGESTED SPECIFICATION

Shower system shall feature a 69" hose, hand shower and rain showerhead. Hand shower and rain shower head shall be WaterSense certified. Hand shower and rain showerhead shall have a pressure compensating control device. Kit shall include two check valves to prevent backflow. Fitting shall be American Standard Model # 102907XXX0.

CODES AND STANDARDS

These products meet or exceed the following codes and standards:

**ASME A112.18.1
CSA B125.1**



Product Number	Description	Finish				
		Polished Chrome	Brushed Nickel	Legacy Bronze	Matte Black	Brushed Cool Sunrise
		002	295	278	243	GN0
102907XXX0	Spectra® Versa™ 24" Shower System Kit. Contains Spectra® Handheld® hand shower and 69" hose. And Spectra® Fixed® showerhead.	✓	✓	✓	✓	✓

CEC