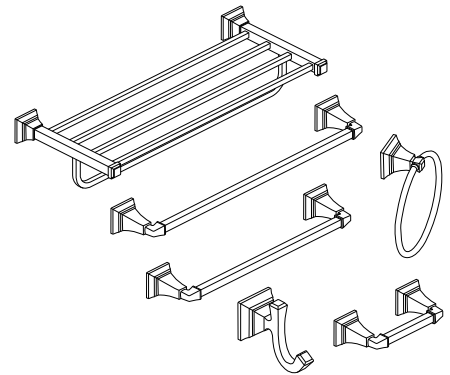


TOWN SQUARE® S

- 18" TOWEL BAR
- 24" TOWEL BAR
- TOWEL RING
- ROBE HOOK
- TOILET PAPER HOLDER
- 24" TRAIN RACK

INSTALLATION INSTRUCTIONS

- 7455018 Series
- 7455024 Series
- 7455190 Series
- 7455210 Series
- 7455230 Series
- 7455260 Series

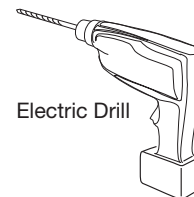
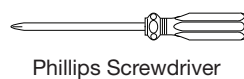
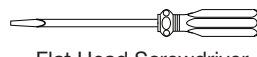
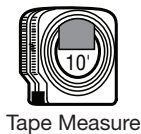


Certified to comply with ANSI A112.18.1M

Thank you for selecting American Standard... the benchmark of fine quality for over 140 years.

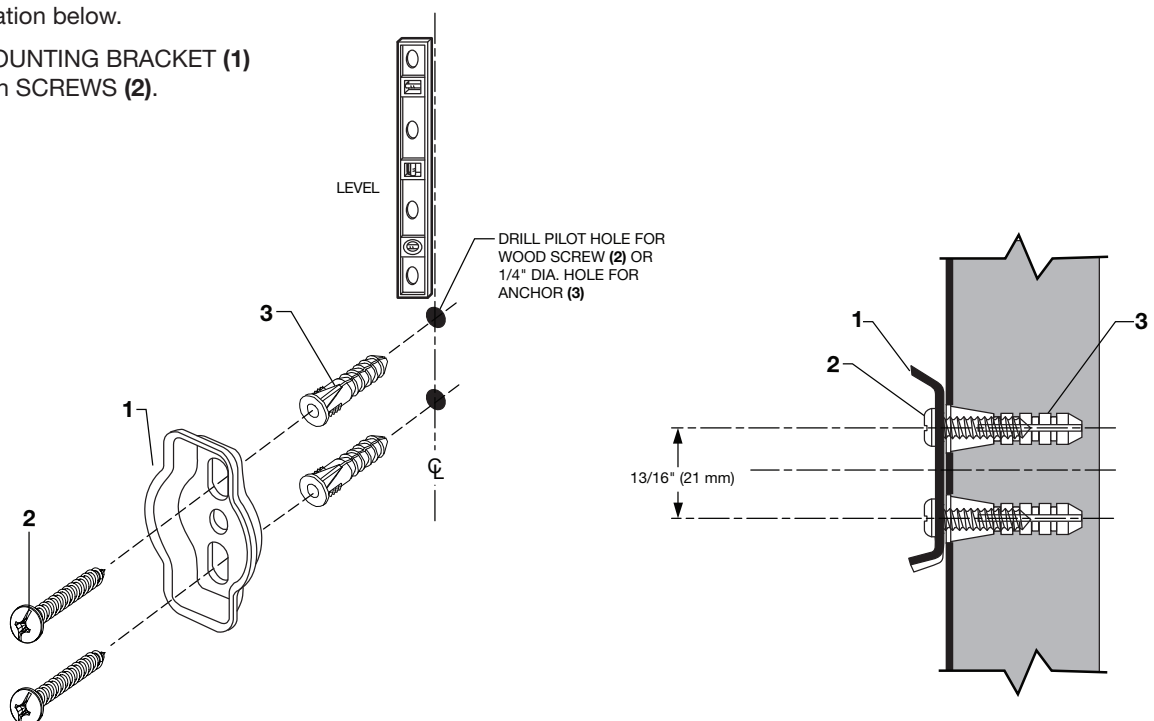
To ensure that your installation proceeds smoothly-please read these instructions carefully before you begin.

RECOMMENDED TOOLS



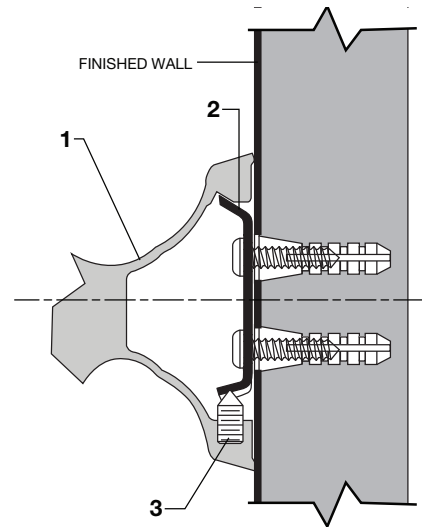
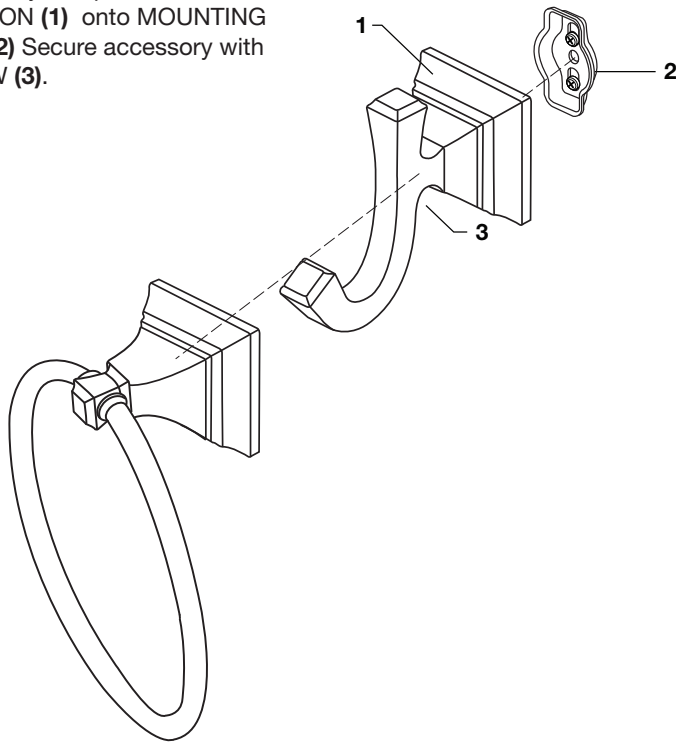
1 INSTALLATION OF MOUNTING BRACKETS FOR ALL WALL MOUNTED ACCESSORIES

- The WALL MOUNTED ACCESSORIES work best if secured to a wall stud or cross brace within the wall, using the SCREWS (2) supplied.
- If the ACCESSORY is to be installed on a tile or plaster wall, the ANCHORS (3) and SCREWS (2) should be used.
- Determine desired height and location (optional) and mark a center line. Make sure the centerline is level. Using the MOUNTING BRACKET (1) as a template, mark the two spots for the mounting holes. If MOUNTING BRACKET (1) is secured to a stud or cross brace. drill small pilot holes for SCREWS (2).
- For installations on tiled walls or drywall, use TILE ANCHORS (3) and SCREWS (2) for securing MOUNTING BRACKET (1) to wall. Drill two 1/4" diameter holes a minimum of 1-1/4" deep. Insert the two TILE ANCHORS (3) flush with face of finished wall. Place MOUNTING BRACKET (1) over TILE ANCHORS (3) and insert SCREWS (2) provided with a flat blade screwdriver. See illustration below.
- Secure MOUNTING BRACKET (1) to wall with SCREWS (2).



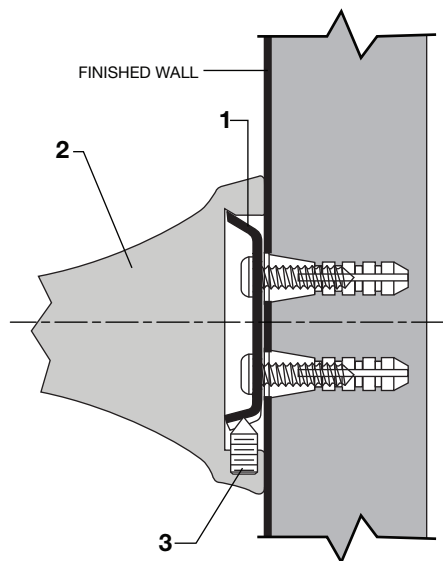
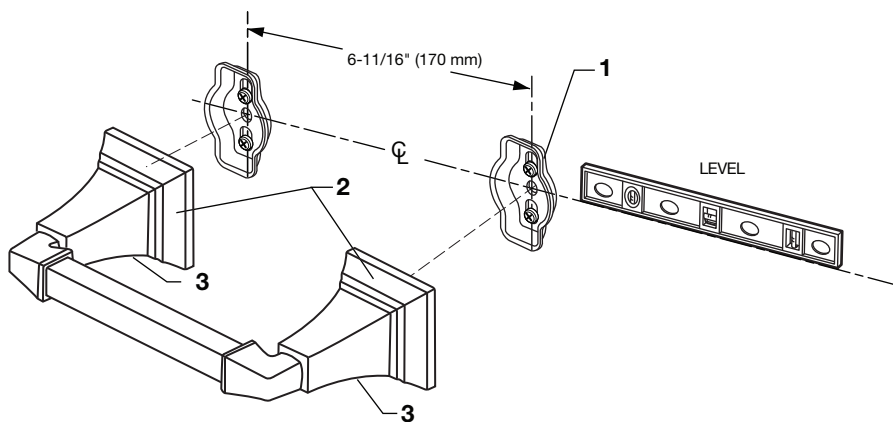
2 TOWEL RING and ROBE HOOK INSTALLATION

- Refer to **Step 1** for installation of MOUNTING BRACKETS (2). Align accessory and place ACCESSORY ESCUTCHEON (1) onto MOUNTING BRACKET (2). Secure accessory with SET SCREW (3).



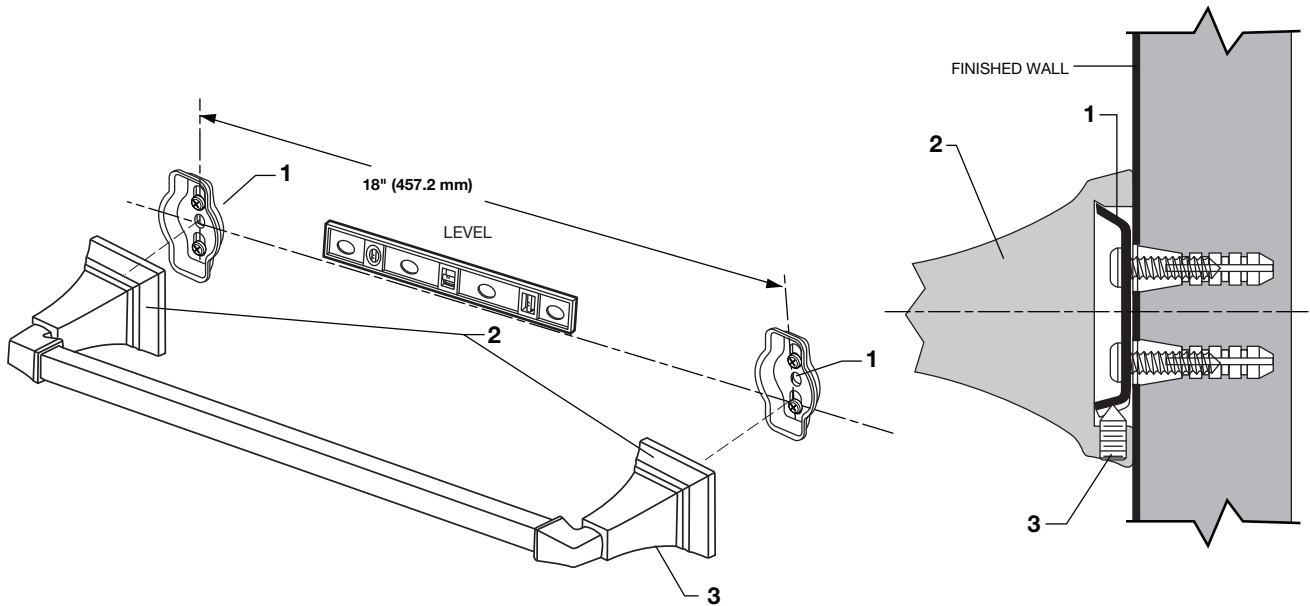
3 INSTALL TOILET PAPER HOLDER

- Refer to **Step 1** for installation of MOUNTING BRACKETS (1). **NOTE: The center line distance between the two MOUNTING BRACKETS is 6-11/16" (170 mm). Make sure the two MOUNTING BRACKETS (1) are level.**
- Install the ACCESSORY ESCUTCHEONS (2) on the MOUNTING BRACKETS (1). Secure ACCESSORY ESCUTCHEONS (2) with SET SCREW (3).



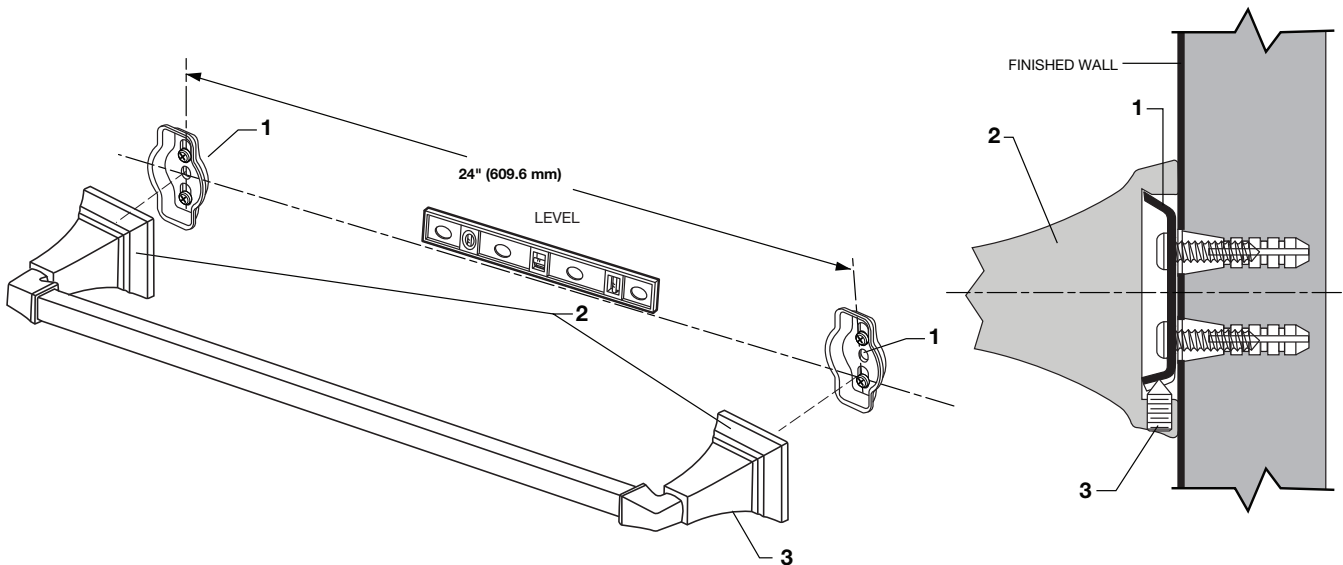
4 18" TOWEL BAR INSTALLATION

- Refer to **Step 1** for installation of MOUNTING BRACKETS (1). **NOTE: The center line distance between the two MOUNTING BRACKETS is 18" (457.2 mm). Make sure the two MOUNTING BRACKETS (1) are level.**
- Install the ACCESSORY ESCUTCHEONS (2) on the MOUNTING BRACKETS (1). Secure ACCESSORY ESCUTCHEONS (2) with SET SCREW (3).



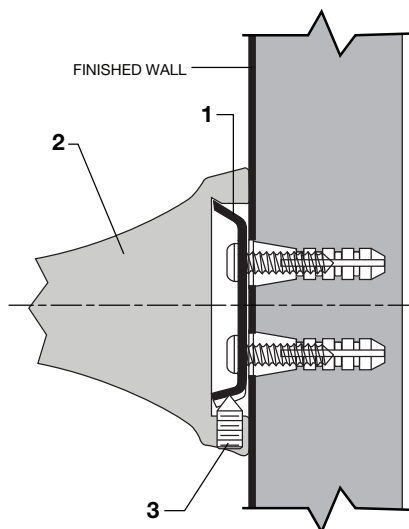
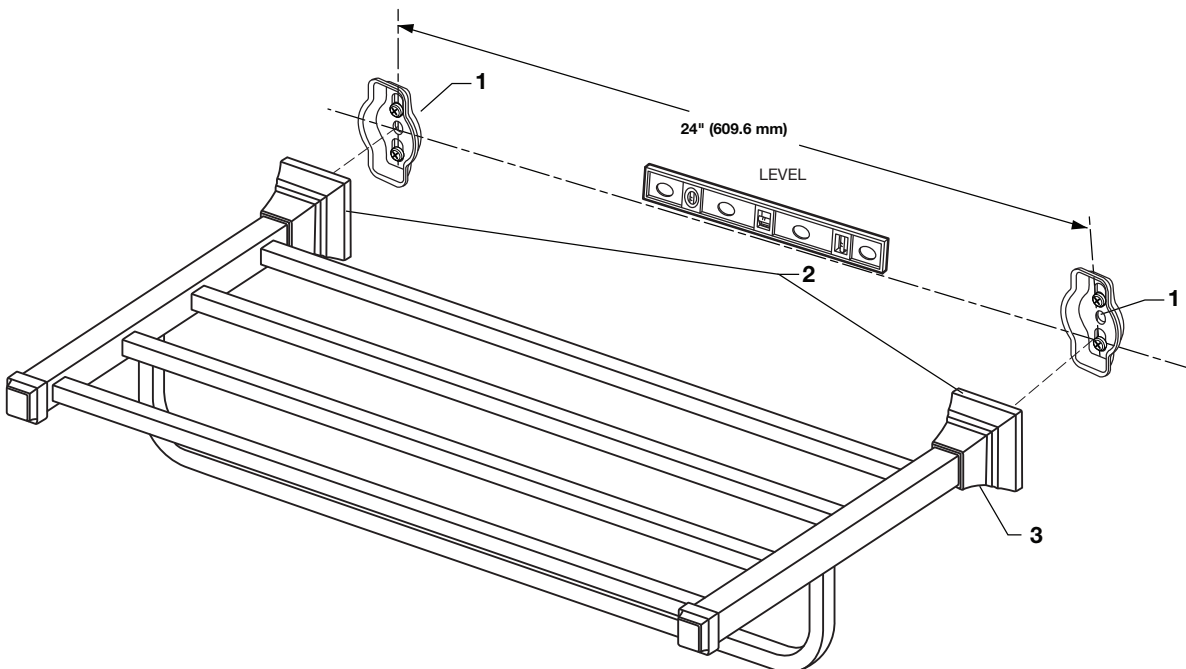
5 24" TOWEL BAR INSTALLATION

- Refer to **Step 1** for installation of MOUNTING BRACKETS (1). **NOTE: The center line distance between the two MOUNTING BRACKETS is 24" (609.6 mm). Make sure the two MOUNTING BRACKETS (1) are level.**
- Install the ACCESSORY ESCUTCHEONS (2) on the MOUNTING BRACKETS (1). Secure ACCESSORY ESCUTCHEONS (2) with SET SCREW (3).



6 24" TRAIN RACK

- Refer to **Step 1** for installation of MOUNTING BRACKETS (1).
NOTE: The center line distance between the two MOUNTING BRACKETS is 24" (609.6 mm).
Make sure the two MOUNTING BRACKETS (1) are level.
- Install the ACCESSORY ESCUTCHEONS (2) on the MOUNTING BRACKETS (1).
Secure ACCESSORY ESCUTCHEONS (2) with SET SCREW (3).



7 CARE INSTRUCTIONS:

DO: CLEAN WITH CLEAR WATER. DRY WITH A SOFT COTTON FLANNEL CLOTH.

DO NOT: DO NOT CLEAN THE PRODUCT WITH SOAPS, ACID, POLISH, ABRASIVES, HARSH CLEANERS, OR A CLOTH WITH A COARSE SURFACE.

American Standard

TOWN SQUARE® S

18" TOWEL BAR
 24" TOWEL BAR
 TOWEL RING
 ROBE HOOK
 TOILET PAPER HOLDER
 24" TRAIN RACK

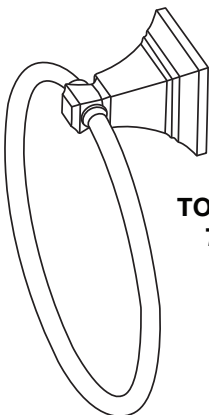
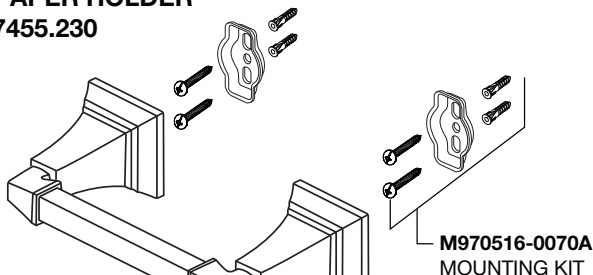
MODEL NUMBERS

7455018 Series
7455024 Series
7455190 Series
7455210 Series
7455230 Series
7455260 Series

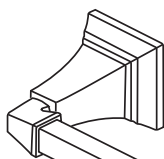
Replace the "YYY" with appropriate finish code

POLISHED CHROME	002
POLISHED NICKEL	013
BRUSHED NICKEL	295
LEGACY BRONZE	278

TOILET PAPER HOLDER
7455.230



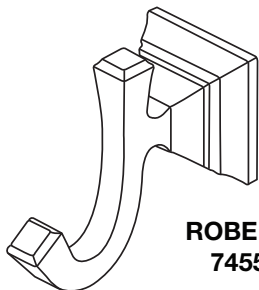
TOWEL RING
7455.190



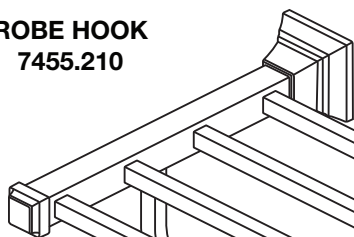
18" TOWEL BAR
7455.018



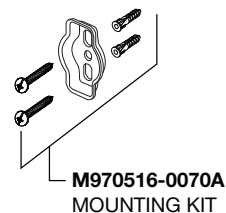
24" TOWEL BAR
7455.024



ROBE HOOK
7455.210



24" TRAIN RACK
7455.260



HOT LINE FOR HELP

For toll-free information and answers to your questions, call:
 1 (800) 442-1902

Mon. - Fri. 8:00 a.m. to 8:00 p.m. EST
 Saturday 10:00 a.m. to 4:00 p.m. EST

IN CANADA 1-800-387-0369
 (TORONTO 1-905-306-1093)

Weekdays 8:00 a.m. to 7:00 p.m. EST

IN MEXICO 01-800-839-1200



PART OF LIXIL