

**ESTATE®**  
**SINGLE LEVER MONOBLOCK LAVATORY**  
**WITH SPEED CONNECT® DRAIN**

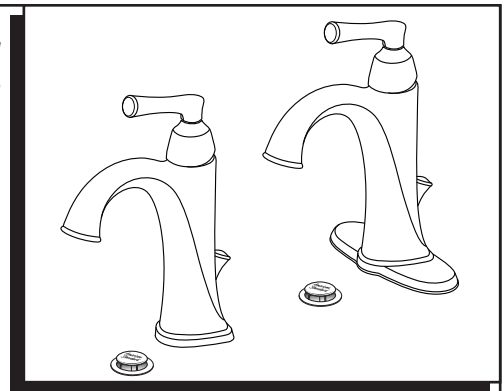
*Congratulations on purchasing your American Standard faucet with Speed Connect drain, a feature found only on American Standard faucets.*

**Speed Connect® Drain\***

- Fewer parts, installs in less time.
- Never needs adjustment.
- Guaranteed to seal properly the first time, every time.

\*Your new American Standard faucet is designed to work only with the Speed Connect drain.

**To ensure that your installation proceeds smoothly-please read these instructions carefully before you begin.**



Certified to comply with ANSI A112.18.1M

**RECOMMENDED TOOLS**



Screwdriver



Channel Locks



Adjustable Wrench

**1 INSTALL FAUCET**

**CAUTION** Turn off hot and cold water supplies before beginning.

**Fig. A.**

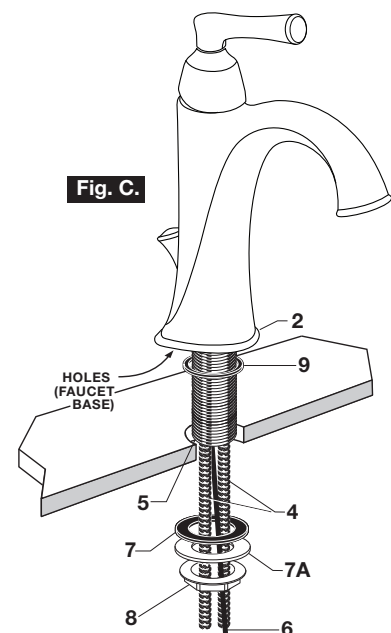
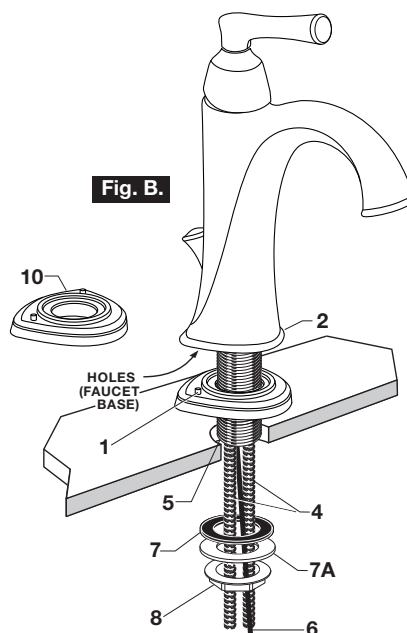
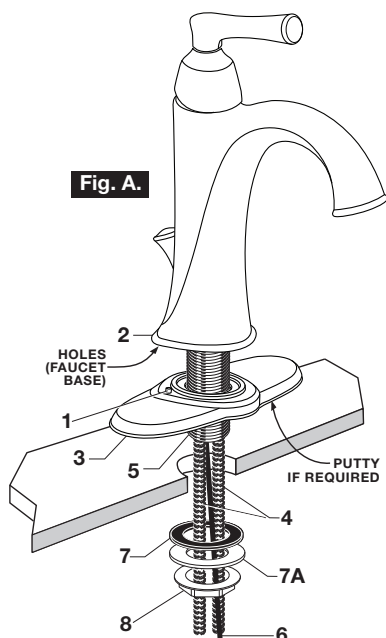
- Installation with ESCUTCHEON PLATE: Align PINS (1) with holes in FAUCET BASE (2). Fig. A. Apply a light bead of plumbers putty to underside of ESCUTCHEON (3) if mounting surface is uneven. Place ESCUTCHEON (3) onto sink or mounting surface. Fig. A. Feed FAUCET SUPPLIES (4), MOUNTING SHANK (5) and DRAIN CABLE ASSEMBLY (6) through ESCUTCHEON with PUTTY PLATE (3) and mounting hole of lavatory or mounting surface. Fig. A.

**Fig. B.**

- Installation with SMALL ESCUTCHEON (10): Align PINS (1) with holes in FAUCET BASE (2). Fig. B.
- Feed FAUCET SUPPLIES (4), MOUNTING SHANK (5) and DRAIN CABLE ASSEMBLY (6) through mounting hole of lavatory or mounting surface. Fig. B.

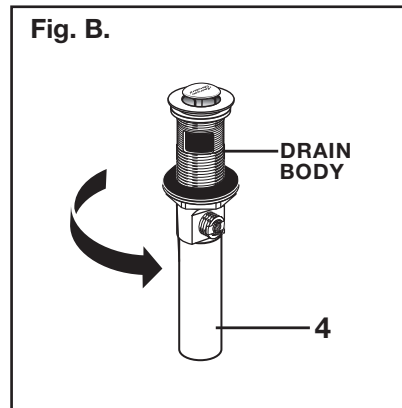
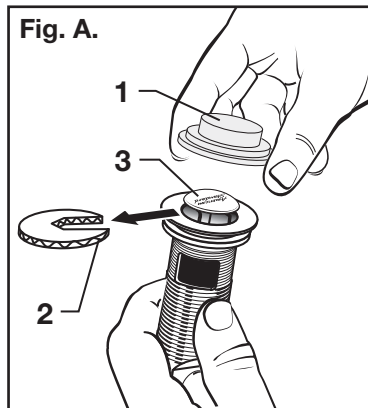
**Fig. C.**

- Seat SEAL (9) under the FAUCET BASE (2) when escutcheon is not used.
- Feed FAUCET SUPPLIES (4), MOUNTING SHANK (5) and DRAIN CABLE ASSEMBLY (6) through mounting hole of lavatory or mounting surface. Fig. C.
- Fig. A., B. & C. Assemble RUBBER WASHER (7), FRICTION WASHER (7A) and thread LOCKNUT (8) onto MOUNTING SHANK (5) from underside of sink or mounting surface. Fig. B.
- Adjust Faucet so that it is centered. Tighten MOUNTING NUT (8) to complete faucet mounting. Fig. A., B. & C.



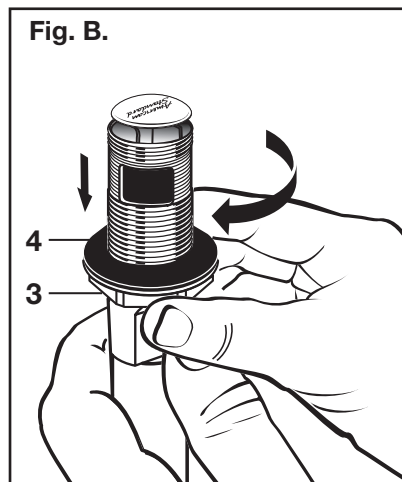
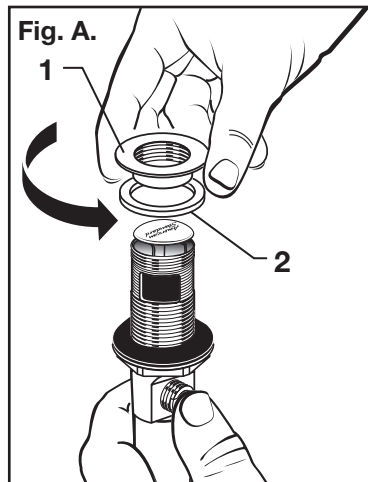
## 2 POP-UP DRAIN

- Remove CLEAR PLASTIC COVER (1).
- Remove CARDBOARD SPACER (2) from under DRAIN POP-UP (3).
- Tighten TAIL PIECE (4) on DRAIN BODY before installing DRAIN BODY. **Fig. B.**



## 3 REMOVE FLANGE

- Thread FLANGE (1) counter-clockwise and remove FLANGE (1) and FOAM GASKET (2) from drain body. **Fig. A.**
- Thread LOCKNUT (3) clock-wise to bottom of drain body. Push GASKET (4) down against LOCKNUT (3). **Fig. B.**

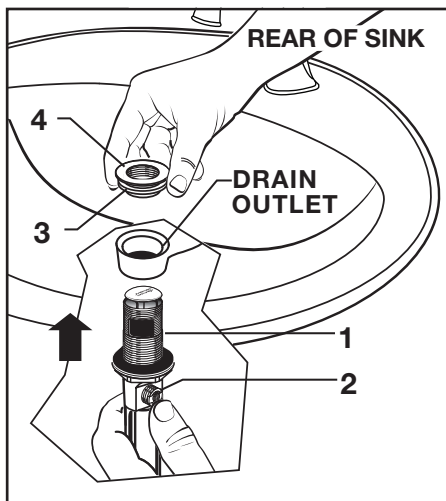


## 4 INSTALL DRAIN FROM BELOW FIXTURE

- From under side of SINK install DRAIN BODY (1) up through drain outlet.

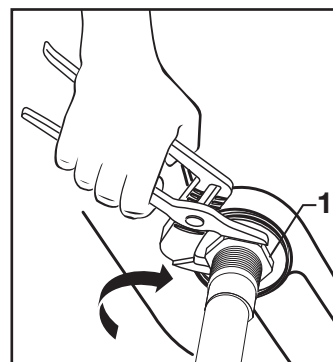
Note: No plumber's putty or caulk is required. The CABLE ATTACHMENT POINT (2) must face towards the rear of the SINK.

- Install FOAM GASKET (3) and FLANGE (4) onto drain body from above SINK and tighten FLANGE (4) firmly.



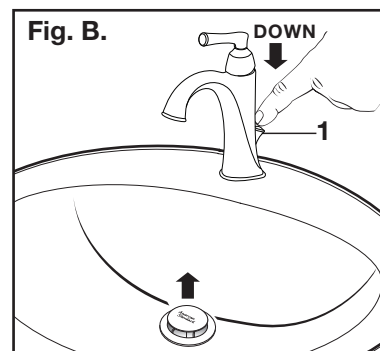
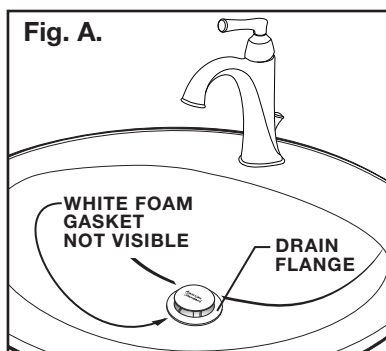
## 5 TIGHTEN LOCKNUT

- Tighten LOCKNUT (1) firmly with Adjustable Wrench or Channel Locks.



## 6 FLANGE GASKET AND POP-UP KNOB

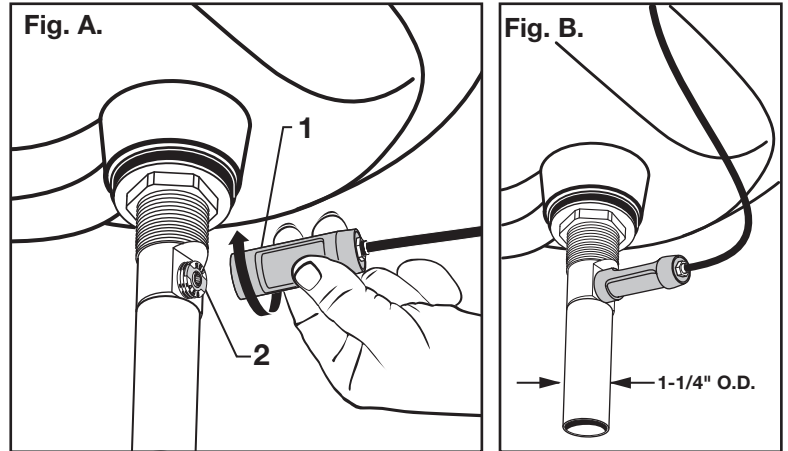
- Check DRAIN FLANGE in SINK to ensure that WHITE FOAM GASKET (3) is fully compressed and not visible. **Fig. A.**
- POP-UP KNOB (1) must be fully down. **Fig. B.**



## 7 ATTACH CABLE CONNECTOR

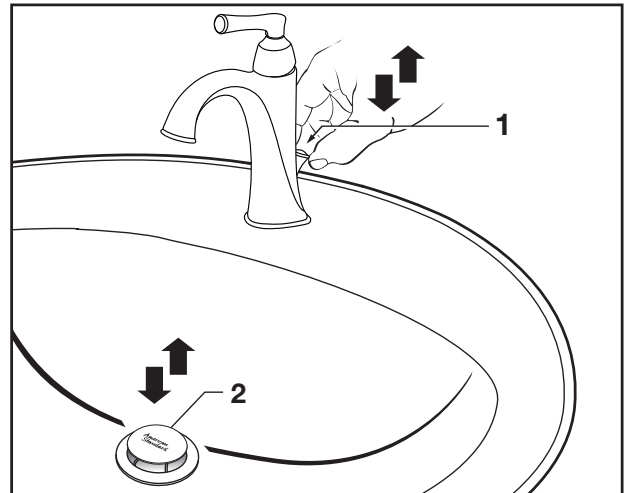
- Thread CABLE CONNECTOR (1) clockwise onto DRAIN BODY CONNECTION (2) and hand tighten. **Fig. A.**
- Your new POP-UP DRAIN installation is now complete. **Fig. B.**

**Note:** Tail piece on pop-up drain is 1-1/4" O.D. **Fig. B.**



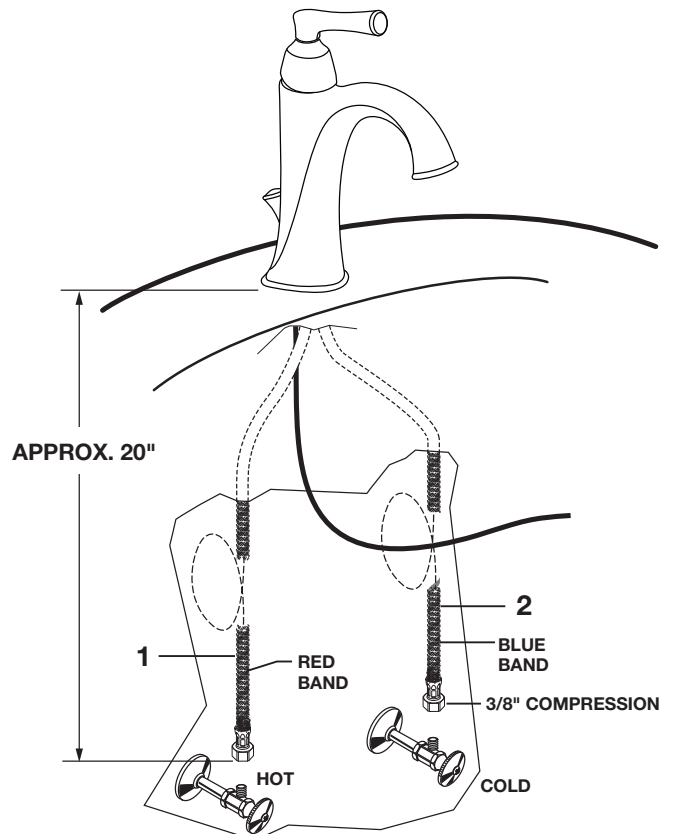
## 8 CHECK OPERATION OF POP-UP

- Operate LIFT KNOB (1) to verify that STOPPER (2) opens and closes.
- Note:** If STOPPER (2) does not open and close properly then refer to the "troubleshooting section" of these instructions.



## 9 MAKE WATER SUPPLY AND WASTE CONNECTIONS

- Connect FLEXIBLE SUPPLIES (1, 2) directly to wall supplies. Connection on fitting supplies are 3/8" compression. Connect left SUPPLY (1) to Hot (Marked with a Red Band) and right supply to COLD (2) wall supply.
  - Faucet supplies are 20" long from faucet base.
- Note:** If additional supply length is required, installer must purchase additional parts separately.
- Important:** If SUPPLY HOSES (1, 2) are to long, loop as illustrated to avoid kinking.
- Connect 1-1/4" O.D. tail piece on POP-UP DRAIN to waste outlet.

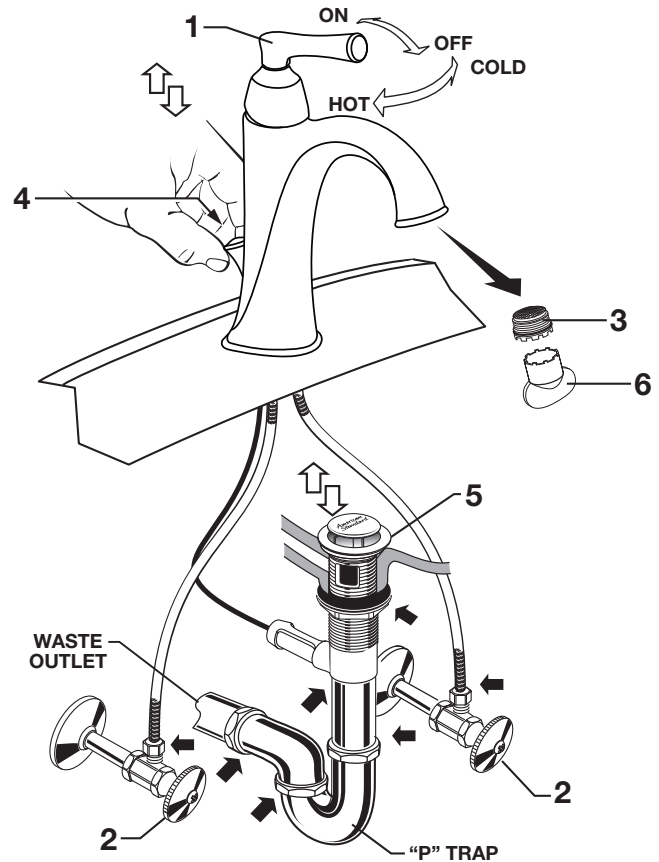


## 10 TEST INSTALLED FITTING

- With HANDLE (1) in OFF position, turn on WATER SUPPLIES (2) and check all connections for leaks. ➡
- Remove AERATOR (3).
- Operate HANDLE (1) to flush water lines thoroughly.
- Replace AERATOR (3).

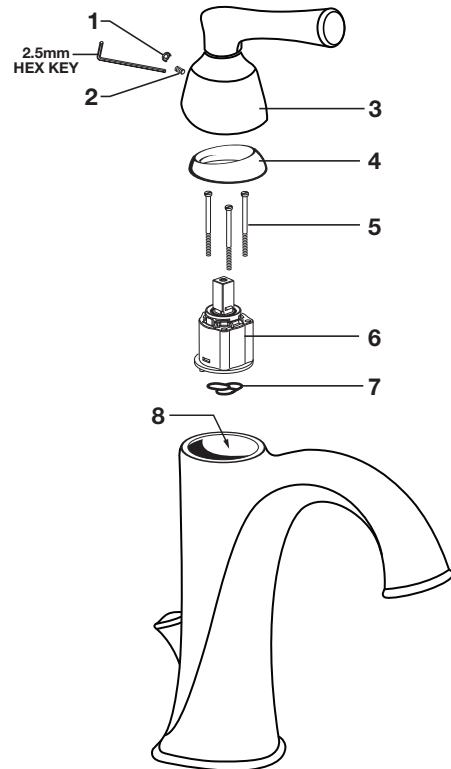
### CHECK DRAIN CONNECTIONS

- Operate POP-UP KNOB (4) and fill lavatory with water. Check that DRAIN STOPPER (5) makes a good seal and retains water in Sink. If DRAIN STOPPER (5) does not seal properly, please refer to Troubleshooting section in these instructions.
- Release POP-UP KNOB (4) down and check all drain connections and "P" trap for leaks. ➡ Tighten if necessary.



## 11 SERVICE **CAUTION** Turn off hot and cold water supplies before beginning.

- **To remove or replace cartridge:**
  - Turn valve to OFF position.
  - Remove the INDEX BUTTON (1).
  - Loosen SET SCREW (2). Pull off HANDLE (3).
  - Pull off CAP (4).
  - Remove CARTRIDGE SCREWS (5).
  - Pull out CARTRIDGE (6).
  - Inspect CARTRIDGE (6) and O-RING (7) for debris and clean if necessary.
  - Clean MANIFOLD (8) and rinse clean.
  - Reinstall CARTRIDGE (6) and O-RING (7) onto MANIFOLD (8).
  - Reinstall CARTRIDGE SCREWS (5), CAP (4) and HANDLE ASSEMBLY (3).
- If spout drips, operate handles several times from OFF to ON position. Do not force.



## 12 CARE INSTRUCTIONS:

**DO: SIMPLY RINSE THE PRODUCT CLEAN WITH CLEAR WATER. DRY WITH A SOFT COTTON FLANNEL CLOTH.**  
**DO NOT: DO NOT CLEAN THE PRODUCT WITH SOAPS, ACID, POLISH, ABRASIVES, HARSH CLEANERS, OR A CLOTH WITH A COARSE SURFACE.**

## Speed Connect® Drain Troubleshooting Guide

If sink does not hold water even though Stopper is in the “down” position:

- Follow CABLE ADJUSTMENT PROCEDURE.

If Stopper does not raise up fully or sink drains too slowly:

- Follow CABLE ADJUSTMENT PROCEDURE.

If you need to remove the Stopper:

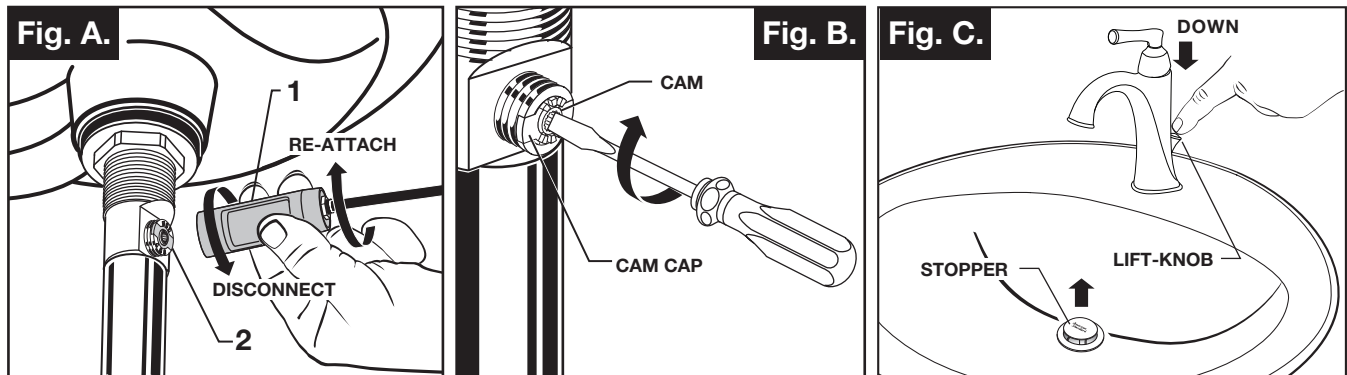
- Follow STOPPER REMOVAL PROCEDURE.

If you would like the ability to remove your Stopper simply by lifting it out of the drain:

- Follow STOPPER INSTALLATION PROCEDURE for “Unlocked” mode.

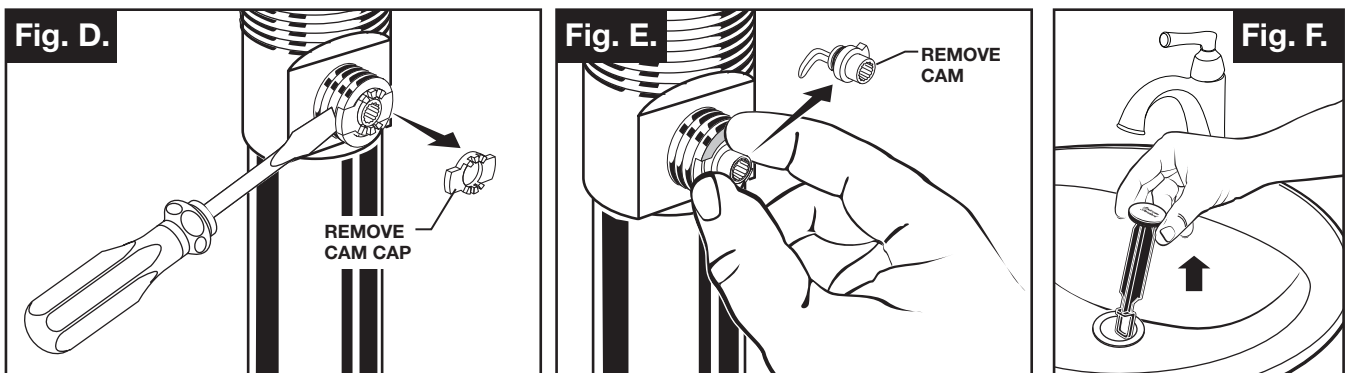
### CABLE ADJUSTMENT PROCEDURE

- Disconnect the Cable from the Drain by threading the Cable Connector (1) counter-clockwise. **Fig. A.**
- Look at the area on the Drain Body where the Cable was attached and locate the component labeled as “Cam” in the illustration. **Fig. B.**
- Use a small screwdriver to rotate the Cam in the clockwise direction as far as it will go. At this point the Stopper should be in the UP position. **Fig. B, C.**
- Push DOWN on the Lift-Knob to make sure it is fully down. **Fig. C.**
- Re-attach the Cable to the Drain Body Connection (2) by threading the Cable Connector (1) clockwise onto the Drain Body Connection (2) and hand-tighten. **Fig. A.**



### STOPPER REMOVAL PROCEDURE

- Disconnect the Cable from the Drain by threading the Cable Connector (1) counter-clockwise. **Fig. A.**
- Look at the area on the Drain Body where the Cable was attached and locate the component labeled as “Cam” and “Cam Cap” in the illustration. **Fig. B.**
- Use fingers or small screwdriver under either side of the Cam Cap to pry it out from the Drain. **Fig. D.**
- Remove the Cam by pulling it straight out while wiggling gently to loosen the Rubber Seal. **Fig. E.**
- The Stopper can now be removed by lifting it out of the Drain. **Fig. F.**

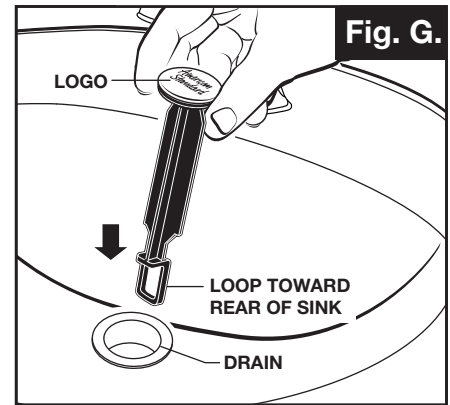


## STOPPER INSTALLATION PROCEDURE

The Stopper can be installed two ways, “Locked” Mode (Stopper cannot be removed) or “Unlock” Mode (Stopper is removable).

### Locked Mode:

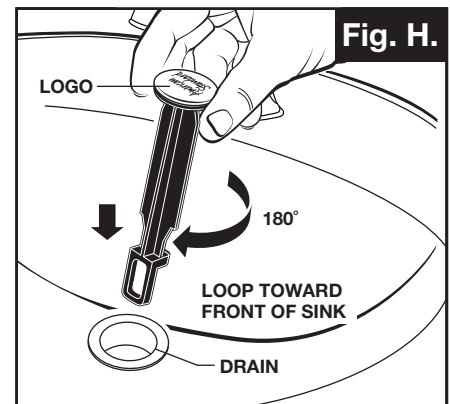
- Look at the Plastic Loop at the bottom of the Stopper and notice that the Loop is on one side of the Stopper. **Fig. G.**
- To install the stopper in “**Locked**” mode, insert the Stopper into the Drain so that the Plastic Loop is facing toward the rear of the Sink and the American Standard logo is facing front. Rotate Stopper slightly if necessary so that the Stopper slides all the way down. **Fig. G.**
- Re-install the Cam into the Drain, rotating the Cam if necessary to make sure it is fully inserted. **Fig. J.**
- Re-install the Cam Cap, making sure the guide teeth are facing outward. If the Cam Cap does not “snap” into place, then rotate the Cam to make sure it is fully inserted. **Fig. K.**
- Re-attach Cable. See “CABLE ADJUSTMENT PROCEDURE” in Troubling Shooting Guide to complete installation. Stopper will be in “**Locked**” mode and not be removable.



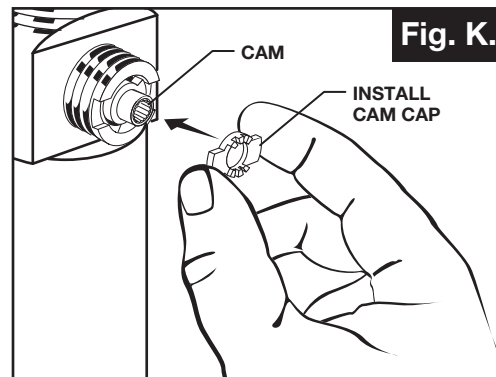
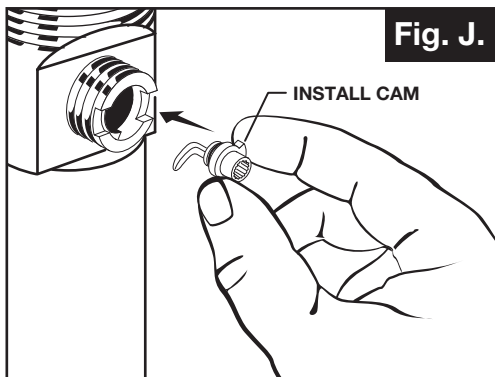
**Locked Mode  
(Vandal Proof)**

### Unlocked Mode:

- Look at the Plastic Loop at the bottom of the Stopper and notice that the Loop is on one side of the Stopper. **Fig. H.**
- To install the stopper in “**Unlocked**” mode, insert the Stopper into the Drain so that the Plastic Loop is facing toward the front of the Sink and the American Standard logo is facing rear. Rotate Stopper slightly if necessary so that the Stopper slides all the way down. **Fig. H.**
- Re-install the Cam into the Drain, rotating the Cam if necessary to make sure it is fully inserted. **Fig. J.**
- Re-install the Cam Cap, making sure the guide teeth are facing outward. If the Cam Cap does not “snap” into place, then rotate the Cam to make sure it is fully inserted. **Fig. K.**
- Re-attach Cable. See “CABLE ADJUSTMENT PROCEDURE” in “Trouble-shooting Guide” to complete installation. Stopper will be in “**Unlocked**” mode and removable.



**Unlocked Mode**

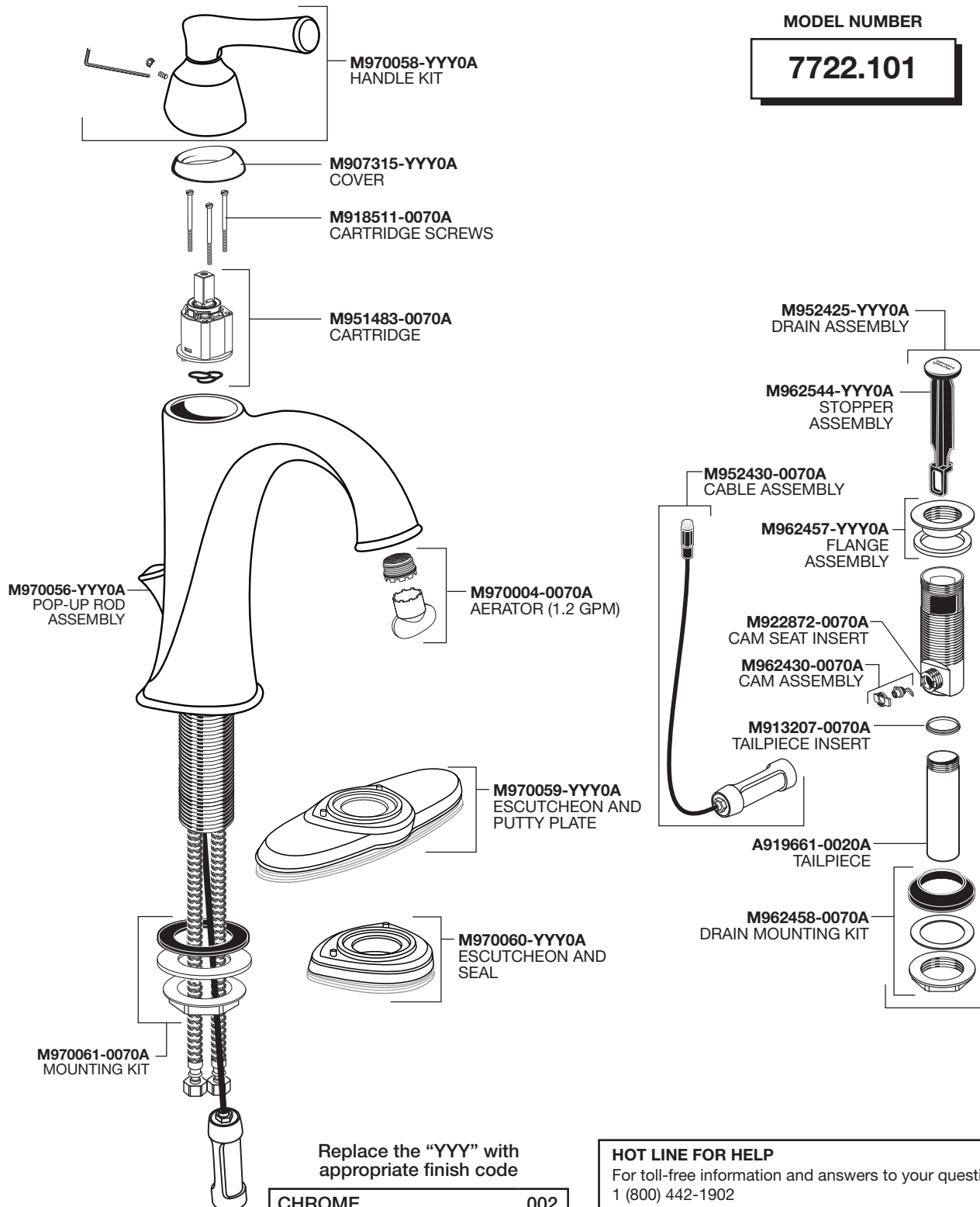


# American Standard

## ESTATE<sup>®</sup> SINGLE LEVER MONOBLOCK LAVATORY WITH SPEED CONNECT<sup>®</sup> DRAIN

MODEL NUMBER

**7722.101**



Replace the "YYY" with appropriate finish code

CHROME	002
SATIN NICKEL	295
LEGACY BRONZE	278
POLISHED NICKEL	013

### HOT LINE FOR HELP

For toll-free information and answers to your questions, call:  
1 (800) 442-1902

Mon. - Fri. 8:00 a.m. to 8:00 p.m. EST

Saturday 10:00 a.m. to 4:00 p.m. EST

IN CANADA 1-800-387-0369

(TORONTO 1-905-306-1093)

Weekdays 8:00 a.m. to 7:00 p.m. EST

IN MEXICO 01-800-839-1200



PART OF LIXIL