

INSTALLATION INSTRUCTIONS

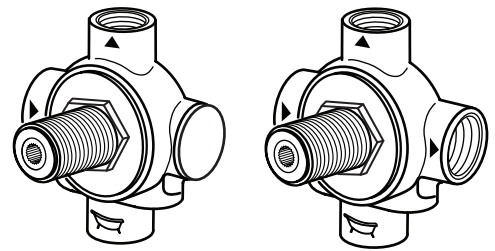
R422S; R433S

TWO/THREE WAY IN-WALL DIVERTER ROUGH VALVE SHARED OUTLETS

Thank you for selecting American-Standard... the benchmark of fine quality for over 100 years.

To ensure that your installation proceeds smoothly-please read these instructions carefully before you begin.

Installation must conform to all local building codes.



R422S

R433S

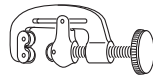
Certified to comply with ANSI A112.18.1

RECOMMENDED TOOLS AND MATERIALS

Most of the procedures require the use of common tools and materials, which are available from hardware and plumbing supply stores. It is essential that the tools and materials be on hand before work is begun.



Channel Locks



Tubing Cutter



Adjustable Wrench

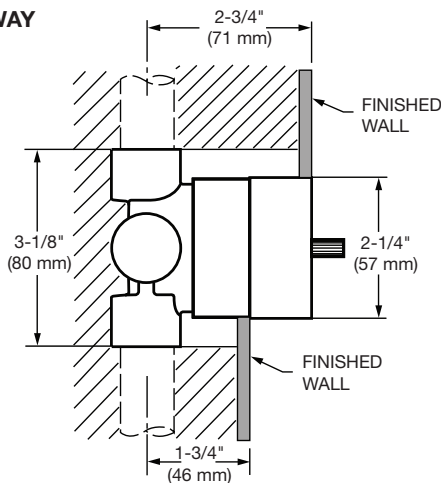


Teflon Tape

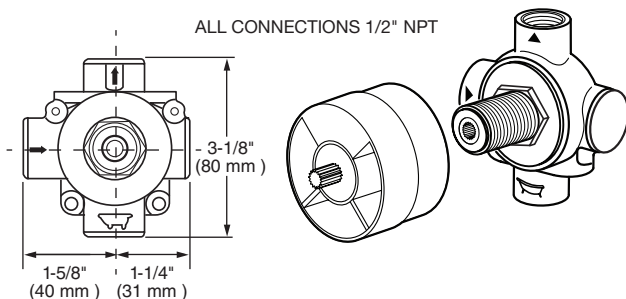
ROUGHING-IN DIMENSIONS:

• NOTE: No concealed piping furnished

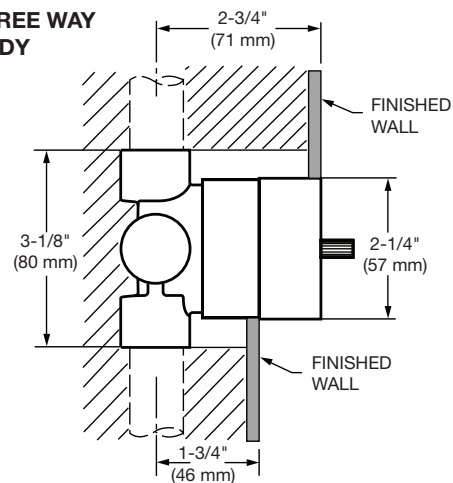
TWO WAY BODY



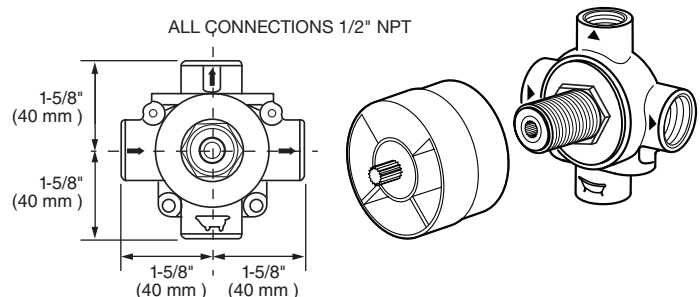
ALL CONNECTIONS 1/2" NPT



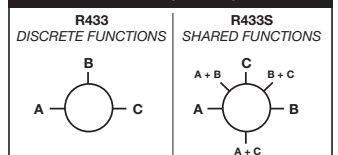
THREE WAY BODY



ALL CONNECTIONS 1/2" NPT



DIVERTER OPERATION



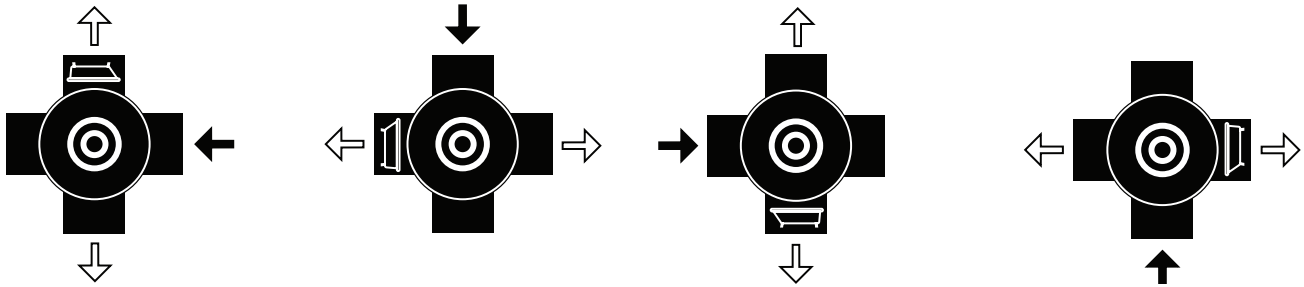
1 ROUGHING-IN

CAUTION DO NOT SEAL ANY OUTLETS. DIVERTER CANNOT BE USED AS A STOP VALVE.

- Turn off hot and cold water supplies before beginning.
- See Roughing-in Drawing on reverse side. The port with the BATH TUB picture is the high flow.
- The DIVERTER can be installed with the inlet rotated in any position.
- Supply connections are 1/2" (13mm) NPT connections.
- For proper positioning the finished wall must be within side of PLASTER GUARD.
- Connect water to valve. The reverse side of the body is marked with arrows.

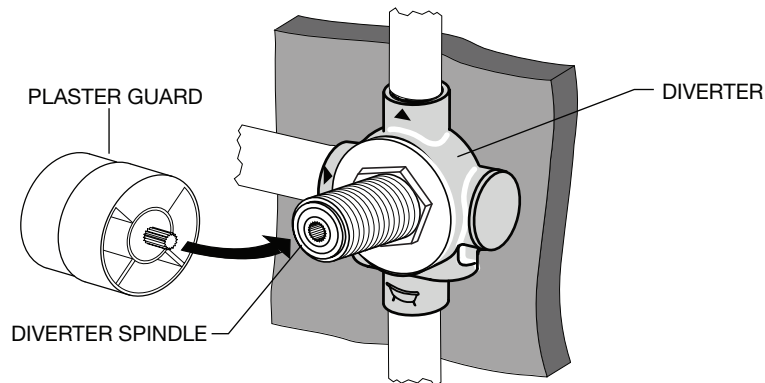
CAUTION DO NOT SOLDER NEAR THE VALVE. DAMAGE TO THE SEALS MAY OCCUR. DO NOT SEAL ANY OUTLETS. THIS DIVERTER CANNOT BE USED AS A STOP VALVE.

- For support use pipe braces secured to wooden braces.



2 TEST DIVERTER

- Check that the DIVERTER operates correctly and does not leak.
- To do this, screw off the PLASTER GUARD, turn around, and insert using the fluted pin into the fluting on the DIVERTER SPINDLE and use as a diverter knob.
- Screw the PLASTER GUARD back on. Have the wall tiled only with the PLASTER GUARD screwed on.



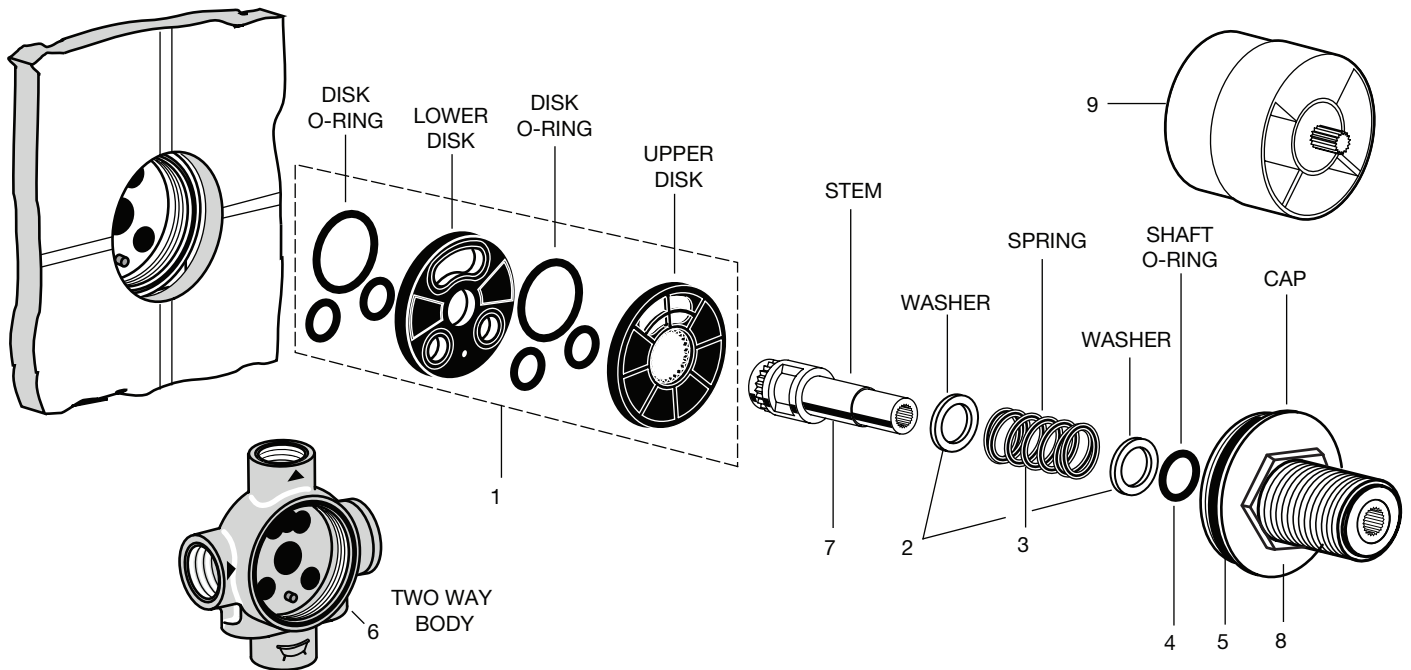
3 INSTALL TRIM

- After finished wall is complete, remove, PLASTER GUARD.
- See Seperate installation instructions supplied with trim kit for handle assembly.

4 SERVICE

TO REPLACE O-RINGS:

- Turn off water supply.
- Unscrew CAP and remove STEM, SPRING and SEALS.
- Remove old DIVERTER elements and install new parts.
- Replace remaining parts in reverse order.
- **NOTE:** Repair part numbers are 1 thru 9.

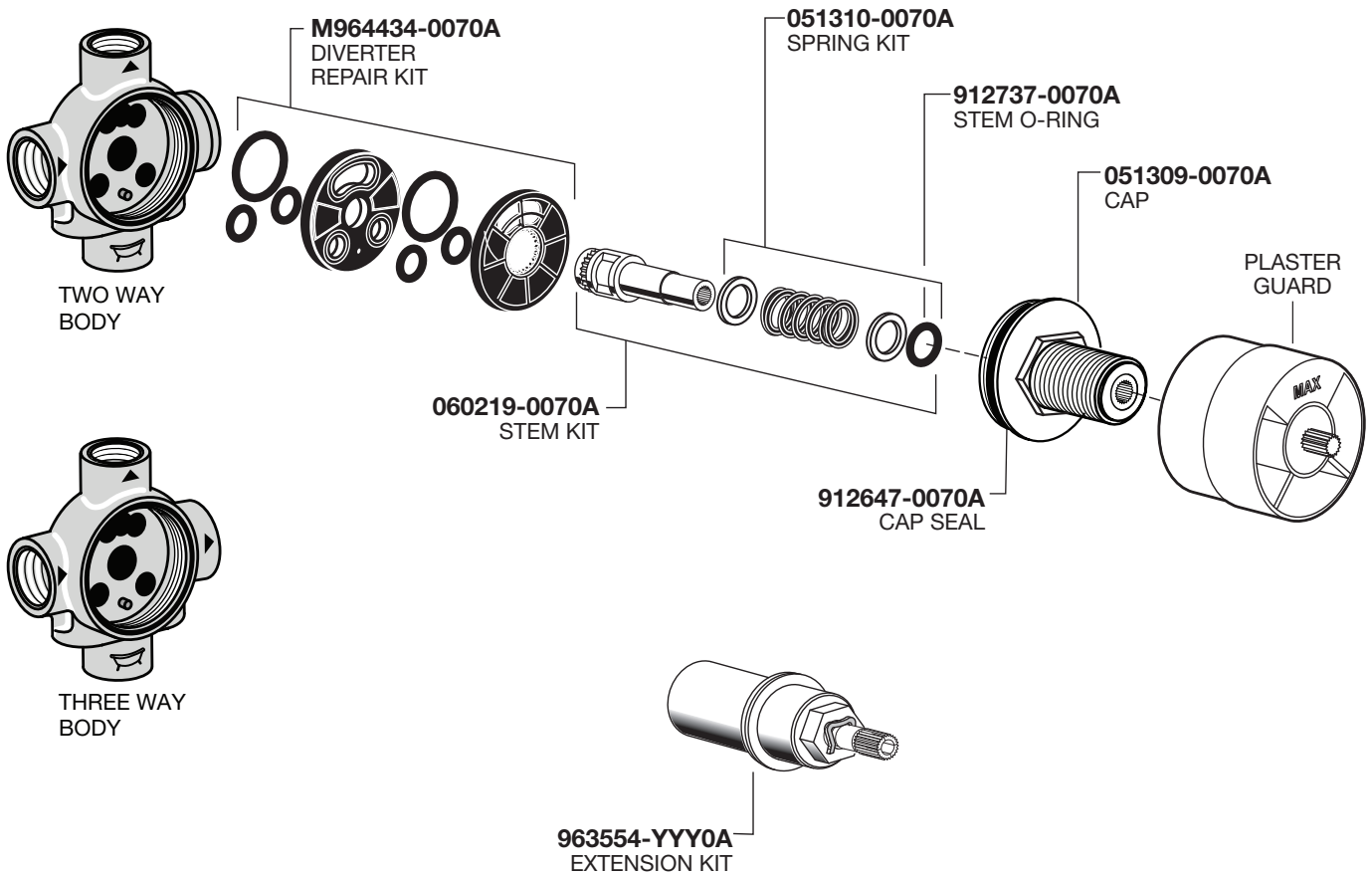


American Standard

TWO/THREE WAY IN-WALL DIVERTER ROUGH VALVE, SHARED OUTLETS

MODEL NUMBER

R422S; R433S



HOT LINE FOR HELP

For toll-free information and answers to your questions, call:

1 (800) 442-1902

Mon. - Fri. 8:00 a.m. to 8:00 p.m. EST

Saturday 10:00 a.m. to 4:00 p.m. EST

IN CANADA 1-800-387-0369

(TORONTO 1-905-306-1093)

Weekdays 8:00 a.m. to 7:00 p.m. EST

IN MEXICO 01-800-839-1200



PART OF **LIXIL**