

INSTALLATION INSTRUCTIONS CARE AND MAINTENANCE

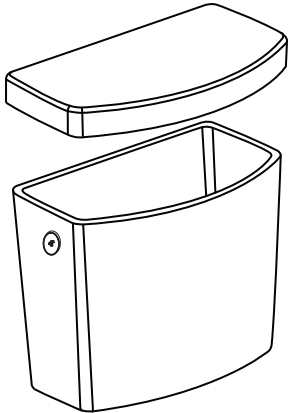


Cadet® Touchless Toilet Models 2794.709 / 2989.709 / 215AA.709

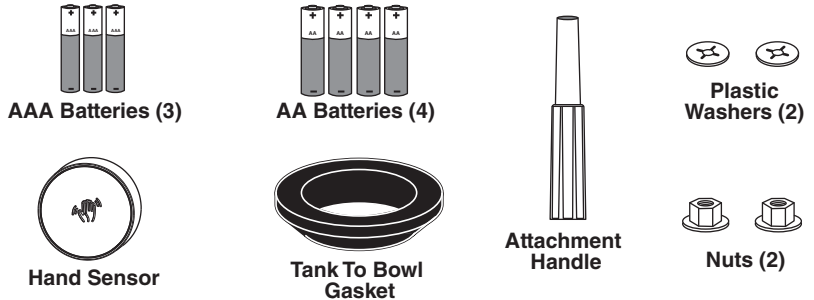
Thank you for selecting American Standard - the benchmark of fine quality for over 140 years. To ensure this product is installed properly, please read these instructions carefully before you begin. (Certain installations may require professional help.) Also be sure your installation conforms to local codes.

⚠ CAUTION: PRODUCT IS FRAGILE. TO AVOID BREAKAGE AND POSSIBLE INJURY HANDLE WITH CARE!
NOTE: Pictures may not exactly define contour of china and components.

TANK 4000.709



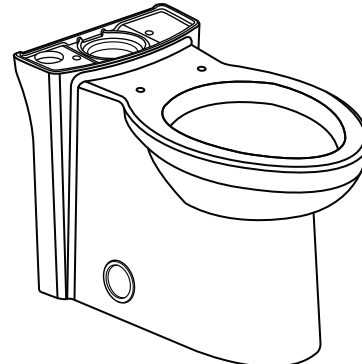
KIT INCLUDED WITH TANK



3517A.101 CHAIR HEIGHT ELONGATED BOWL

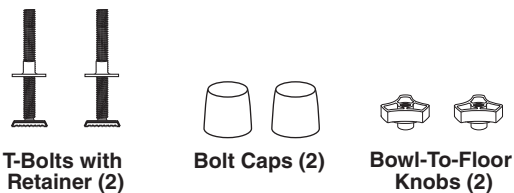


3075.000 / 3075.120 CHAIR HEIGHT ELONGATED BOWLS

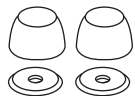


KIT INCLUDED WITH BOWL

BOWL WITH EXPOSED TRAPWAY

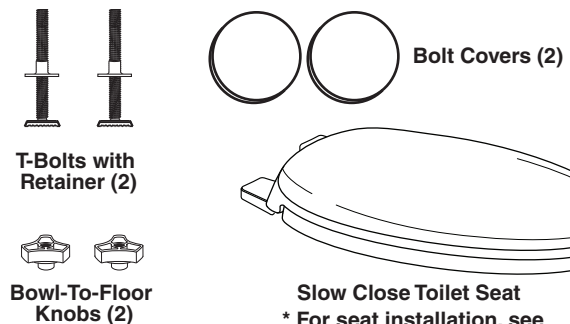


Also includes Standard Bolt Caps (2)



KIT INCLUDED WITH BOWLS

BOWLS WITH CONCEALED TRAPWAY



Slow Close Toilet Seat
* For seat installation, see instructions included with seat.

SAVE FOR FUTURE USE

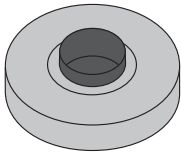


7302484-100R1

Product names listed herein are trademarks of AS America, Inc.
© AS America, Inc. 2020

7302484-100R1 10/20

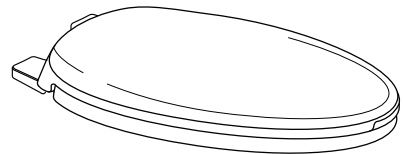
SOLD SEPARATELY



Wax Ring



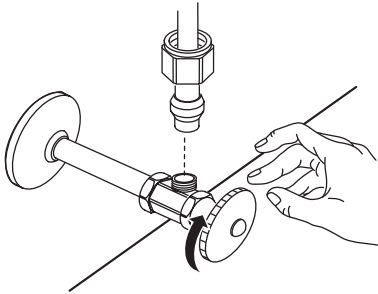
Water Supply Line



Slow Close Toilet Seat
(3517A bowl only)

BEFORE YOU START: Please see specificaton sheet for rough-in information

Turn Off Water Supply

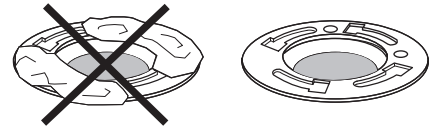


If Removing An Existing Toilet

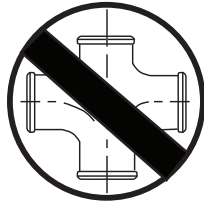
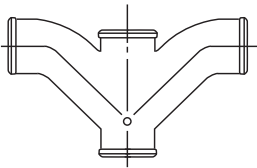
Flush to remove water from tank; sponge remaining water from bowl before removing toilet.



Clean Flange



⚠ Caution: If leaving floor flange open for more than 1-2 hours, cover flange to prevent escaping sewer gases.



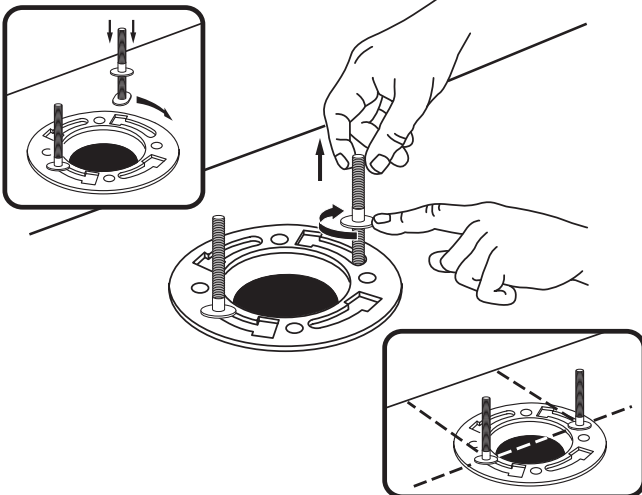
Recommended fitting type for back-to-back installations.

BACK-TO-BACK INSTALLATION

Depending upon your plumbing and venting conditions, the flow from the toilet in a back-to-back installation may create a vacuum on the system and draw water from the opposing bowl. The National Standards Plumbing Code prohibits the use of a cross fitting for drainage as throw over is possible. The code does approve a directional "Y" style fitting with proper venting to direct the water downward and away from the other toilet.

INSTALLATION INSTRUCTIONS:

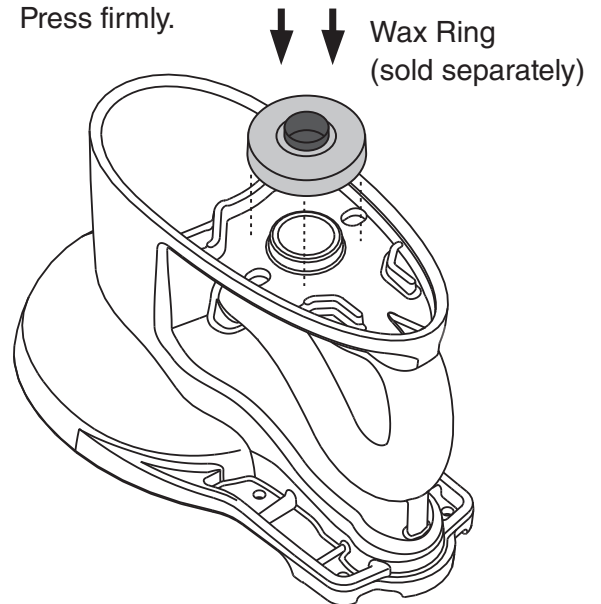
1



NOTE: T Bolts with retainer included.

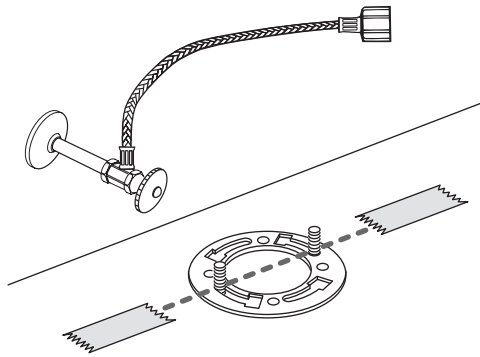
2

Press firmly.



NOTE: Bowl with exposed trapway shown.

3

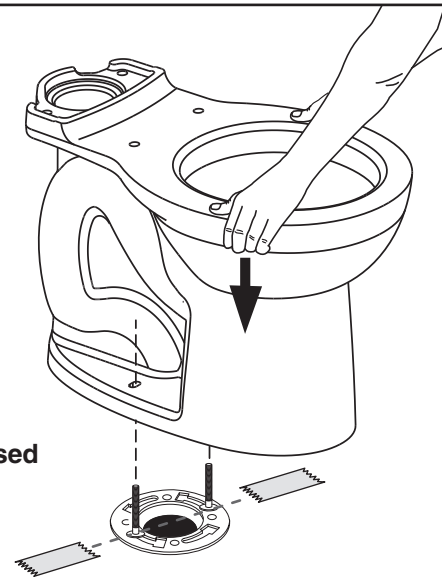


TIP: Place 2 pieces of masking tape on floor (as shown) to help with alignment in step 4.

NOTE: If installing a Concealed Trap Toilet Bowl, connect supply hose to supply valve.

4

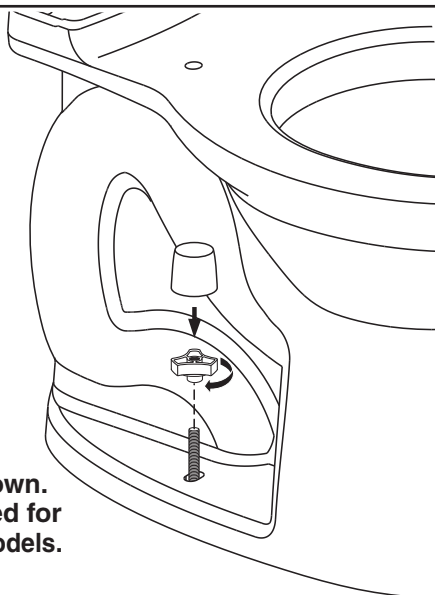
Apply weight evenly. Do not move after placement. Water tight seal may break.



NOTE: Bowl with exposed trapway shown.

5

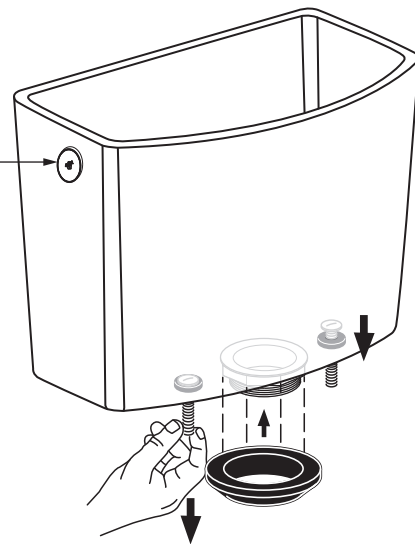
! Hand tighten only. Do not overtighten.



NOTE: Exposed trap shown. Bolt caps not used for Concealed Trap models.

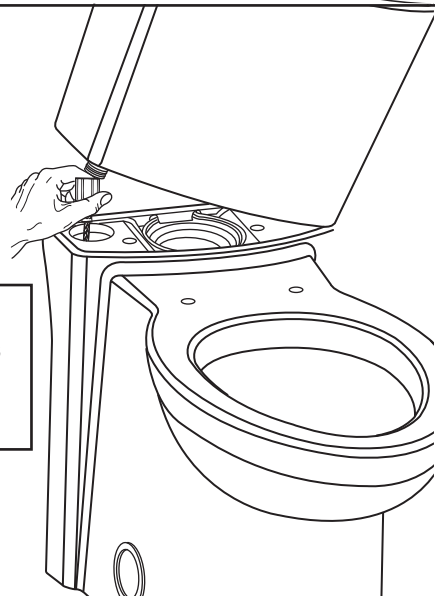
6

MANUAL FLUSH BUTTON



7

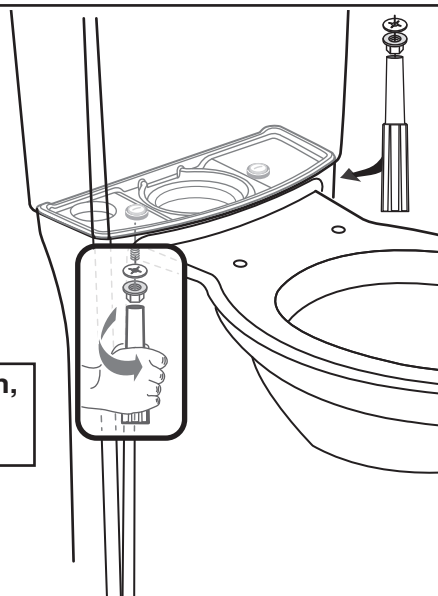
Thread, then hand tighten water supply. This is best done when using Concealed Trap Bowl.



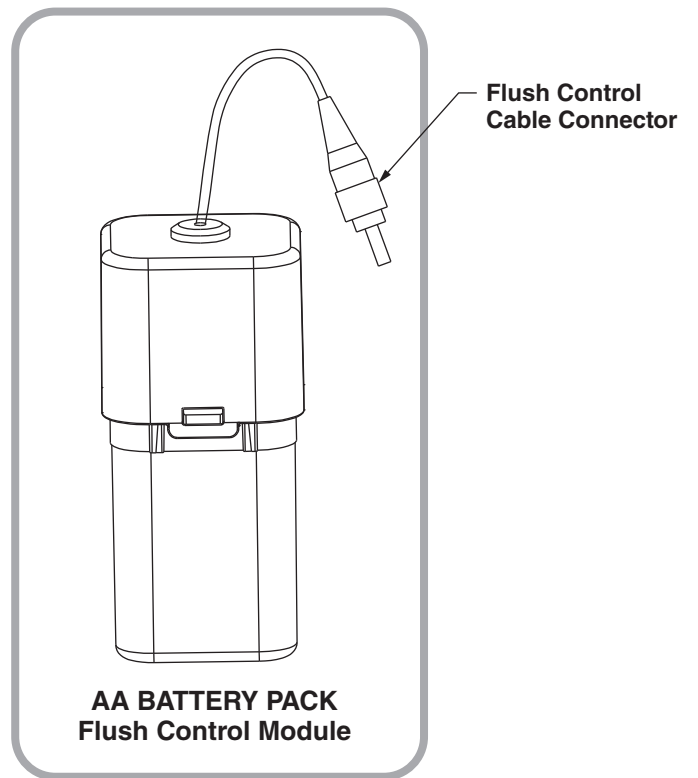
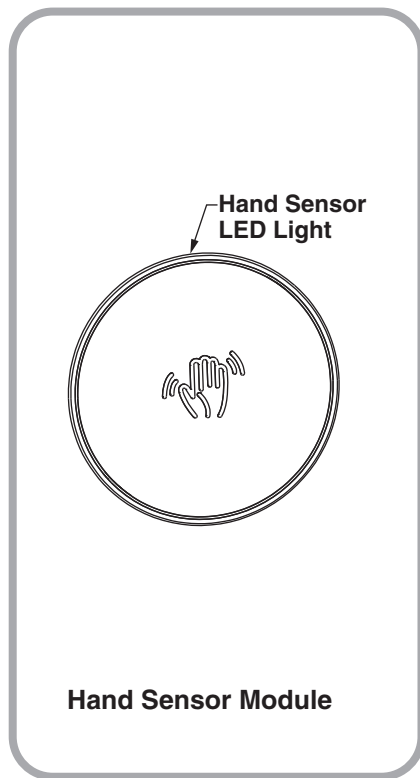
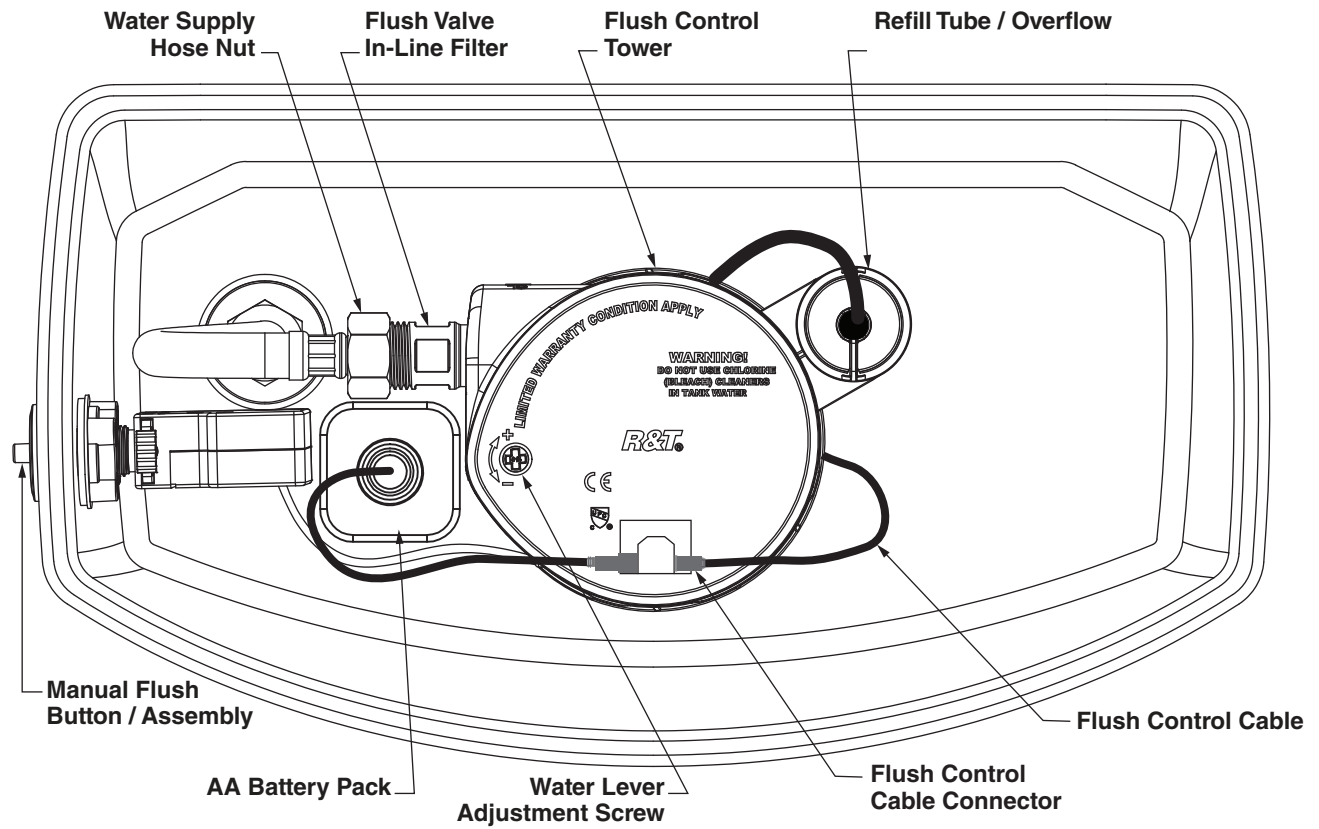
8

Tighten handles alternately until tank contacts bowl. **HAND TIGHTEN ONLY!**

* For seat installation, see instructions included with seat.

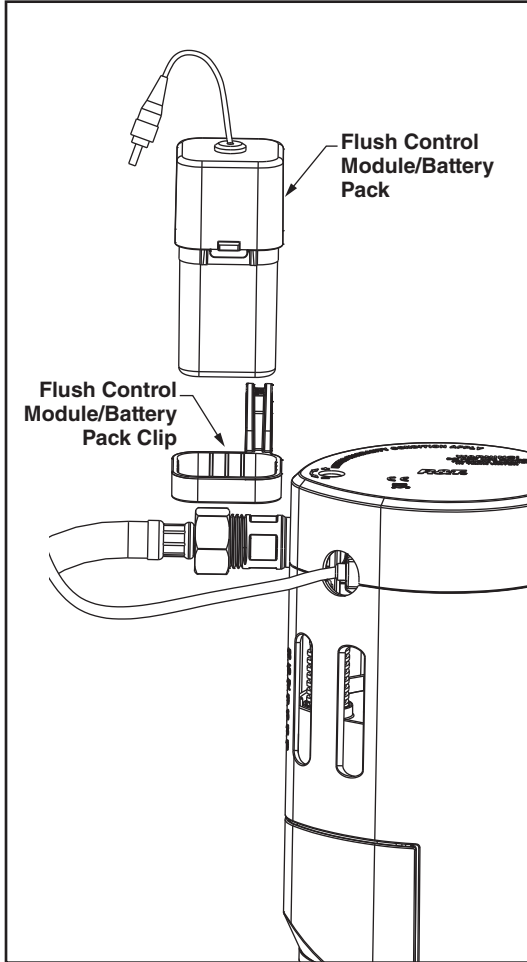


WARNING: Overtightening of water supply line nuts could result in breakage and potential flooding. If the connection leaks after hand tightening, replace the supply line. Do not use any type of sealant on the water supply connection. Use of plumber's putty, pipe dope, or any other type of sealant will void the warranty.



9

- a. Remove plastic Flush Control Module/Battery Pack Clip from box, snap and place over "Flush Valve In-Line Filter" area.
- b. Remove Flush Control Module/Battery Pack from box and follow procedure in "Operational Guide," steps 4 to 9 under "Changing Batteries / Flush Control Module in Tank to add batteries to module. (ref illustration from attached drawing)



Please utilize the included signage should you feel it necessary to communicate to users how to activate the hygienic touchless flush. The signage can be affixed to the top of the tank or around the flush actuator.

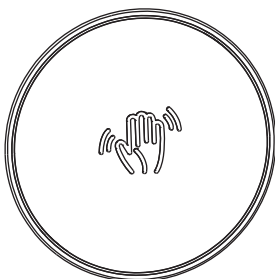


Example: on tank cover

10

Remove Hand Sensor Module from box and follow procedure in "Operational Guide," steps 1 to 3 under "Changing Batteries / Hand Sensor Module," while also referencing the **NOTES** portion at the end.

Also reference under the "Operational Guide," "Installation of Hand Sensor Module," for preferable locations to mount the Hand Sensor Module.



Hand Sensor Module



Example: around the flushing actuator on wall

OPERATIONAL GUIDE

Cadet Touchless Toilet Operational Guide: Follow instructions below for installing batteries in Flush Control Module and Hand Sensor Module.

LOW BATTERY Indication:

FLUSH CONTROL MODULE: When waving hand over the Hand Sensor Module and it starts to slowly flash 12 times, indicates that the batteries in the Flush Control Module within the tank need to be replaced.

HAND SENSOR MODULE: When the batteries are low on the Hand Sensor Module, the module will flash quickly 5 times indicating the batteries need to be replaced.

Changing Batteries / Flush Control Module in Tank:

1. Turn OFF water supply to toilet, then flush toilet to remove water from tank.
2. Remove lid from tank and identify "Flush Control Module" (ref. illustration of module on page 5 above)
3. Disconnect connector wires from flush valve to Flush Control Module to separate Control Module from Flush Valve and remove Flush Control Module/AA Battery Pack (ref. illustration on page 5 above).
Note: Ensure wires do not fall into water or get wet.
4. Using a small Philips Head Screwdriver, remove single screw holding Flush Control Module cover and gently remove cover to reveal AA battery pack.
5. Remove battery pack and remove all 4 AA batteries, then replace with new alkaline batteries.
6. Place battery pack back into Flush Control Module container making note of TOP & BOTTOM and orientation within the container (labeled on battery pack).
7. Snap Flush Control Module cover over battery pack, replace screw and securely tighten.
8. Connect wires from Flush Control Module and flush valve together, replace module back into flush valve holder.
9. Turn On water supply, allow tank to fill with water.

Changing Batteries / Hand Sensor Module:

1. Remove the 2 screws on back of hand sensor module and remove rear cover. Note: There is a rubber O Ring around the rear cover to reduce moisture from getting into the sensor which provides a snug fit and may require some effort to remove. A small flat head screwdriver will make it easier to remove.
2. Remove 3 AAA batteries and replace with new alkaline batteries.
3. Replace rear cover and screw into place.

NOTE: Replace Hand Sensor Module batteries within 3 minutes after installing batteries in Flush Control Module to allow codes to match or synchronize to each other. After installing batteries, wave hand over Hand Sensor Module once which will complete code matching. If Hand Sensor Module lights up after battery installation but the toilet does not flush, remove battery, wait 1 minute, then replace battery to match or synchronize codes.

Sensor NOTE I: On hand sensor, hand needs to wave over sensor 2 inches from surface. Also hand sensor needs to be within 6 feet of the toilet. Keep hand sensor at a location where it will not accidentally flush if something comes within close proximity of it.

Sensor NOTE II: When cleaning around the toilet, mainly the hand sensor, if person cleaning comes close to sensor the toilet may flush when not needed.

Installation of Hand Sensor Module:

1. The hand sensor module can be installed on a wall or in close proximity of the toilet within 3 feet using wall anchors and screws, double stick tape or Velcro Adhesive strips. Ensure placement of hand sensor can be reached by hand when sitting on the toilet.

Water Level Adjustment:

1. Turn on water supply. Adjust water level to water level line indicated on the back of the tank. To Raise the water level in the tank, use a Philips screw driver, turn the adjustment screw on top of the flush valve (ref. illustration above on page 5) in a clockwise direction or in the direction of the "+" symbol.
2. To Lower the water level in the tank, turn the adjustment screw on top of the flush valve in a counterclockwise direction or in the direction of the "-" symbol.

Cleaning Flush Valve In-Line Filter:

1. Shut OFF main water supply to toilet.
2. Disconnect water supply hose to Flush Control Tower using adjustable wrench. (ref. illustration on page 5)
3. To remove filter, there is a white plastic strip (tab) protruding in the center, using a small pleyer, gently pull on the strip to remove the filter. **Note:** Filter has a rubber O ring around it which creates a snug fit and may require some effort to remove.
4. Clean the filter with clean water and a soft brush.
5. Re-install filter, securely connect water supply hose, turn ON water supply and check for proper operation.

Manual Flush Backup

If there is a Low Battery condition or some electronic failure of the Hand Sensor or Flush Control Module, the toilet can still be flushed manually using the Flush button on the outside of the toilets tank. Fully press and hold the button until a complete flush is achieved.

Troubleshooting Guide

Problem/Indicator	Possible Cause	Corrective Action
No flush or delayed flush	a. No batteries	a. Install 4 alkaline AA batteries to the Flush Control Module and 3 AAA batteries to the Hand Sensor Module.
	b. Low battery in Flush Control or Hand Sensor Module.	b. Follow procedure for low battery indication of Hand Sensor or Flush Control Module.
	c. Incorrect water level in tank	c. If water level is too low or too high, flush performance is affected. Fill water in the tank to the correct level, as specified on the back of the tank. See "Water Level Adjustment" procedure.
	d. The Flush piston or lift rod are stuck.	d. Check if the piston or lift rod moves freely.
	e. No water in the tank	e. Fill the tank with water to the level specified on the label on the back of tank.
	f. Toilet is clogged	f. Lift toilet lid and disconnect "Flush Control Cable" from Battery Pack/Flush Control Module. Unclog toilet. Press "Manual Flush Button" to clear trap way and confirm trap is clear of clog. Reattach 'Flush Control Cable'.
	g. Touchless hand swipe was too fast	g. Initiate a slightly slower hand swipe within the sensor area.
	h. Touchless hand swipe was not in sensor detection area	h. Sensor detection area is directly in front of the sensor face and up to 2 inches away from the surface.
	i. Water supply valve closed	i. Open valve and allow water to fill tank.
	j. Supply line blocked	j. Shut off water supply, disconnect supply line and inspect all gaskets and washers. Reassemble.
	k. Sand or debris lodged in filter screen	k. Shut OFF water supply to toilet. Follow procedure for "Cleaning Flush Valve In-Line Filter".
Leaking	a. Incorrect water level	a. If water level is too low or too high, flush performance is affected and leaking may occur. Fill water in the tank to the correct level, as specified on the label on the back of tank.
	b. Debris on sealing surface	b. Remove debris on sealing surface causing the leak.
	c. Loose Shank Nut	c. Tighten the Shank nut to eliminate the leak.
	d. Refill water level is too high	d. Leaking occurs through the overflow tube due to the Fill Valve float setting too high. Lower the float setting until the Fill Valve refills to the correct water level. See "Water Level Adjustment Procedure".
	e. The refill tube is not installed properly.	e. Adjust refill tube and ensure end of tube is above water line.
Partial Flush	a. Refill tube is not installed in the Overflow Tube	a. Connect the refill tube to the Overflow Tube.
	b. Incorrect water level	b. If water level is too low or too high, flush performance is affected. Fill water in the tank to the correct level, as specified on the label on the back of tank. See "Water Adjustment Procedure".
	c. Manual Flush Button not fully depressed	c. Press the Manual Flush Button in further.
Unintended Flush	a. Motion or object in sensor area	a. Remove item from the sensor activation area.
Manual Button not working	a. Manual Button is not depressed completely	a. Press the Manual Flush Button in further.
	b. There is no water in the tank	b. Fill the tank with water to the level specified on the label on the back of tank. See "Water Adjustment Procedure".
	c. Incorrect water level	c. If water level is too low or too high, flush performance is affected. Fill water in the tank to the correct level, as specified on the label on the back of tank. See "Water Adjustment Procedure".
Hand Sensor Module flashes slowly 12 times	a. Indicates battery power is low in Flush Control Module in tank	a. Replace batteries in Flush Control Module in tank.
Hand Sensor Module flashes quickly 5 times	a. Indicates battery power is low in Hand Sensor Module	a. Replace batteries in Hand Sensor Module.
Toilet leaks	a. Poor supply line connection	a. Remove supply line, inspect and reconnect. Replace supply line if leak continues.
	b. Poor bowl to tank/floor connection	b. Review Step 2 through 8 of installation procedure.
Toilet bowl rocks after installation	a. Wax ring not fully compressed	a. Retighten bowl-to-floor knobs.
	b. Floor not level	b. Use toilet shims and/or place a bead of caulk around the base of the toilet.
The Hand Sensor Module can light up by sensing, but does not flush	a. The Flush Control Module in tank is not connected properly.	a. Ensure wire from Flush Control Module to Flush Valve Body is fully connected.
	b. The codes of the Hand Sensor Module and Flush Control Module are not matched or synchronized to each other.	b. Install Hand Sensor Module batteries within 3 minutes after installing Flush Control Module batteries to allow codes to match or synchronize.
	c. The battery pack in the Flush Control Module may not be orientated correctly.	c. Orientate the batteries in the battery pack.

CARE AND CLEANING

When cleaning your toilet, wash it with mild, soapy water, rinse thoroughly with clear water and dry with a soft cloth.

WARNING: Do not use in-tank cleaners. These products can seriously corrode fittings in the tank. This damage can cause leakage and property damage. **American Standard shall not be responsible or liable for any damage caused by the use of in-tank cleaners.**

Control module FCC ID: 2AW23-D7020-01
Sensor module FCC ID: 2AW23-D7020-02

This device complies with Part 15 of the FCC Rules. Operation is subject to the following two conditions:

- (1) This device may not cause harmful Interference, and
- (2) This device must accept any interference received, including interference that may cause undesired operation.

Warning: Changes or modifications to this unit not expressly approved by the party responsible for compliance could void the user's authority to operate the equipment.

NOTE: This equipment has been tested and found to comply with the limits for a Class B digital device, pursuant to Part 15 of the FCC Rules. These limits are designed to provide reasonable protection against harmful interference in a residential installation. This equipment generates, uses and can radiate radio frequency energy and, if not installed and used in accordance with the instructions, may cause harmful interference to radio communications.

However, there is no guarantee that interference will not occur in a particular installation. If this equipment does cause harmful interference to radio or television reception, which can be determined by turning the equipment off and on, the user is encouraged to try to correct the interference by one or more of the following measures:

- Reorient or relocate the receiving antenna.
- Increase the separation between the equipment and receiver.
- Connect the equipment into an outlet on a circuit different from that to which the receiver is connected.

Consult the dealer or an experienced radio/TV technician for help.

TOILET LIMITED WORRY-FREE WARRANTY

This toilet comes with a limited lifetime warranty on chinaware, a limited 5 year warranty on all mechanical parts of the toilet, 1 year warranty on electronic parts and a limited 1 year warranty on the toilet seat if included with product. If inspection of this AS America, Inc. ("American Standard") plumbing product, inclusive of the chinaware and all mechanical parts, confirms that it is defective in materials or workmanship, American Standard will repair or, at its option, exchange the product for the same or a similar model.

This limited warranty applies only to the original non-commercial purchaser and installation of the products. In the event of a limited warranty claim, proof of purchase will be required – save sales receipts.

For this warranty to become effective, the warranty registration process must be completed via the internet or telephone per the warranty registration instructions.

This limited warranty does not apply to commercial installations. The warranty for commercial installations is 1 year on chinaware and mechanical parts, 1 year warranty on electronic parts and 1 year on the toilet seat if included with product.

This warranty **does not apply** to local building code compliance. Since local building codes vary considerably, the purchaser of the product should check with a local building or plumbing contractor to ensure local code compliance before installation.

This warranty **will be void** if the product has been moved from its initial place of installation; if it has been subjected to faulty maintenance, abuse, misuse, accident or other damage; if it was not installed in accordance with American Standard's instructions; or if it has been modified in a manner inconsistent with the product as shipped by American Standard.

WARNING: This warranty **DOES NOT COVER** any damages caused by the use of in-tank cleaners. These products can seriously corrode the fittings in the tank. This damage can cause leakage and property damage. **American Standard will not be responsible or liable for any damage caused by the use of in-tank cleaners.**

American Standard's option to repair or exchange the product under this warranty does not cover any labor or other costs of removal or installation including any costs of any surrounding material such as tile or marble. **American Standard is not responsible for any other incidental or consequential damages attributed to a product defect or to the repair or exchange of a defective product, all of which are expressly excluded from this warranty.** (Some states or provinces do not allow the exclusion or limitation of implied warranties, so this exclusion may not apply to you.)

This warranty gives you specific rights. You may have other statutory rights that may vary from state to state or province to province, in which case this warranty does not affect such statutory rights.

In the United States:

American Standard Brands
1 Centennial Ave.
Piscataway, New Jersey 08854
Attention: Director of Customer Care
For residents of the United States, warranty information may also be obtained by calling the following toll free number: (800) 442-1902
www.americanstandard.com

In Canada:

LIXIL Canada, ULC
5900 Avebury Rd.
Mississauga, Ontario
Canada L5R 3M3

Toll Free: (800) 387-0369
www.americanstandard.ca

In Mexico:

American Standard B&K Mexico
S. de R.L. de C.V.
Via Morelos #330
Col. Santa Clara
Ecatepec 55540 Edo. Mexico

Toll Free: 01-800-839-1200
www.americanstandard.com.mx

PLEASE COMPLETE AMERICAN STANDARD WARRANTY REGISTRATION PROCESS AND SAVE THIS WARRANTY INFORMATION

IMPORTANT: Registration of the toilet must be completed for this warranty to become effective. Your registration will make it easier to contact you in the event of a product recall.*

INSTRUCTIONS: Register your toilet at www.americanstandard.com. Please save your proof of purchase (sale receipt).

If you need assistance or do not have access to our website, please contact American Standard Customer Care at: (800) 442-1902. An American Standard representative will assist in completing the warranty registration.

* In California, your warranty rights remain intact even if you do not complete the registration process.

THIS WARRANTY IS NOT TRANSFERABLE FROM ORIGINAL CONSUMER PURCHASER.

INSTRUCCIONES DE INSTALACIÓN CUIDADO Y MANTENIMIENTO

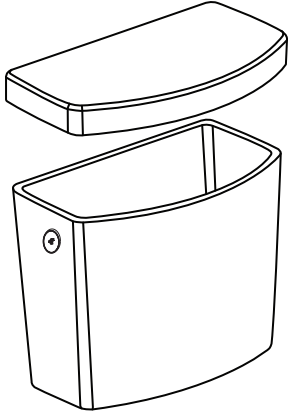
*American
Standard*

Inodoro sin contacto Cadet® Modelos 2794.709 / 2989.709 / 215AA.709

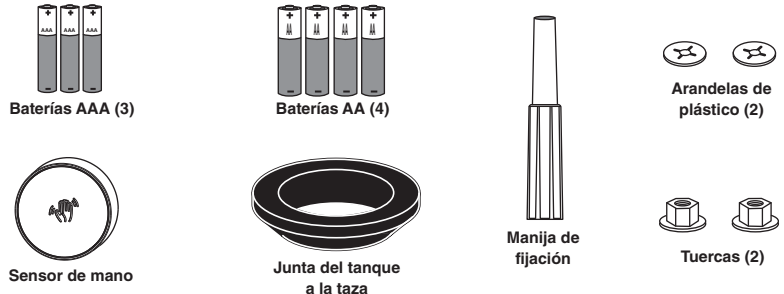
Gracias por elegir American Standard, el parámetro de excelente calidad por más de 140 años. Para asegurar la instalación adecuada de este producto, por favor lea las instrucciones con atención antes de comenzar. (Algunas instalaciones pueden requerir ayuda profesional.) Asimismo, asegúrese de realizar la instalación de conformidad con los códigos locales.

⚠ ADVERTENCIA: PRODUCTO FRÁGIL. ¡MANIPÚLELO CON CUIDADO PARA EVITAR QUE SE ROMPA Y QUE SE GENEREN POSIBLES LESIONES!
NOTA: Es posible que las ilustraciones no definan exactamente el contorno de la porcelana y de los componentes.

TANQUE 4000.709



KIT DE INSTALACIÓN INCLUIDO CON EL TANQUE

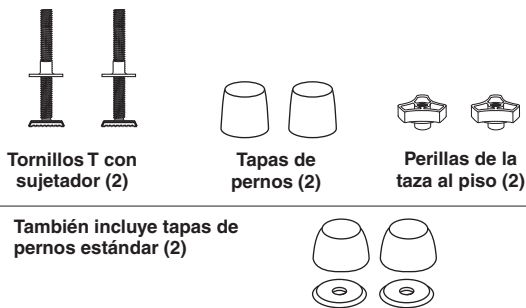


3517A.101 TAZA ALARGADA CON ALTURA DE SILLA

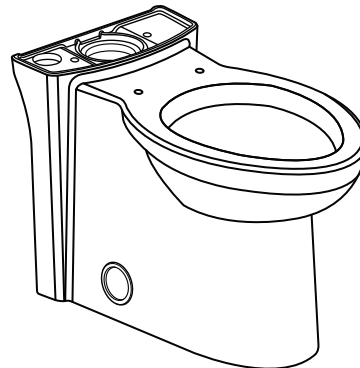


KIT DE INSTALACIÓN INCLUIDO CON LA TAZA

TAZA CON TUBERÍA DE DESAGÜE EXPUESTA

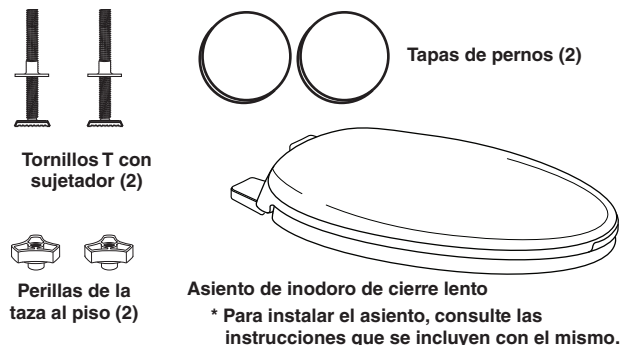


3075.000 / 3075.120 TAZAS ALARGADAS CON ALTURA DE SILLA



KIT DE INSTALACIÓN INCLUIDO CON LAS TAZAS

TAZAS CON TUBERÍA DE DESAGÜE OCULTA



GUARDAR PARA USO FUTURO

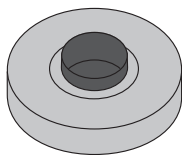


7302484-100R1

Los nombres de producto mencionados en este documento son marcas de comercio de AS America, Inc.
© AS America, Inc. 2020

7302484-100SP Rev. 1 10/20

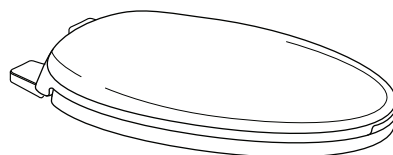
SE VENDE POR SEPARADO



Anillo de cera



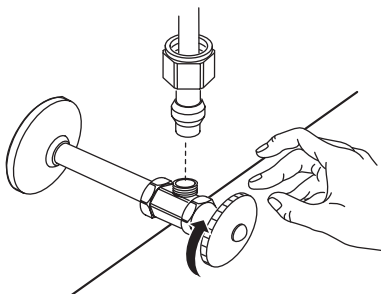
Línea de suministro de agua



Asiento de inodoro de cierre lento
(3517A solo la taza)

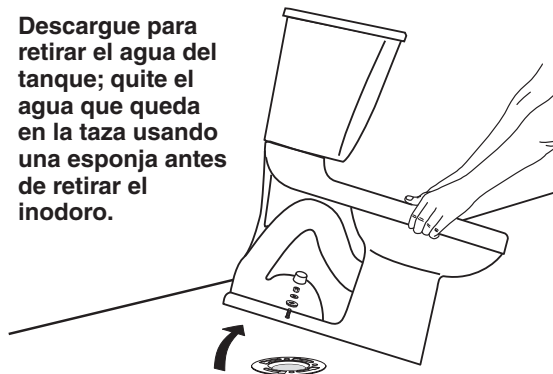
ANTES DE COMENZAR: Vea la ficha de especificaciones para consultar la información sobre la información de preparación.

Cierre el suministro de agua

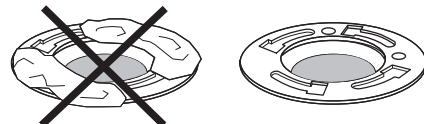


Si va a retirar un inodoro viejo

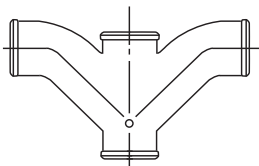
Descargue para retirar el agua del tanque; quite el agua que queda en la taza usando una esponja antes de retirar el inodoro.



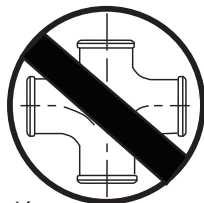
Limpiar brida



⚠ Precaución: Si deja la brida del piso abierta durante más de 1-2 horas, cúbrala para evitar escapes de gases de desagüe.



Tipo de conexión recomendada para las instalaciones en oposición.

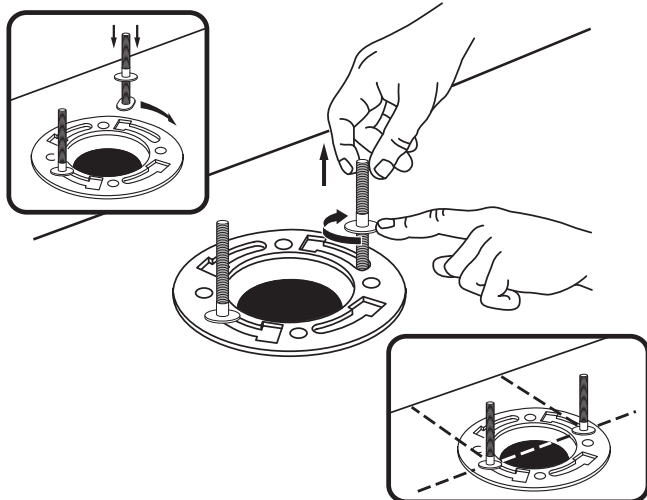


INSTALACIÓN EN OPOSICIÓN

Según las condiciones de plomería y ventilación, el flujo de este inodoro en una instalación en oposición puede crear un vacío en el sistema y atraer agua de la otra taza. El Código de Normas Nacionales de Plomería (National Standards Plumbing Code) prohíbe el uso de una conexión en cruz para el desagüe por la posibilidad de rechazo. El código aprueba el uso de una conexión direccional en "Y" con la ventilación adecuada para dirigir el agua hacia abajo y lejos del otro inodoro.

INSTRUCCIONES DE INSTALACIÓN:

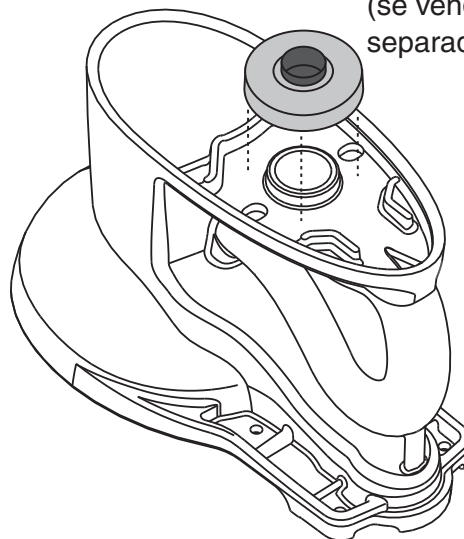
1



NOTA: Pernos T con sujetador incluidos.

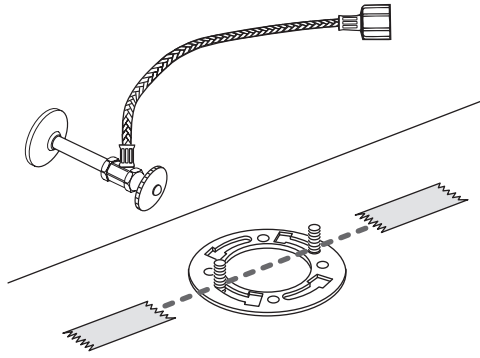
2

Presione firmemente. Anillo de cera (se vende por separado)



NOTA: Se muestra taza con tubería de desagüe expuesta.

3



CONSEJO: Coloque 2 piezas de cinta de enmascarar sobre el piso (como se muestra) para ayudar con la alineación en el paso 4.

NOTA: Si instala una taza con tubería de desagüe oculta, conecte la manguera de suministro a la válvula de suministro.

4

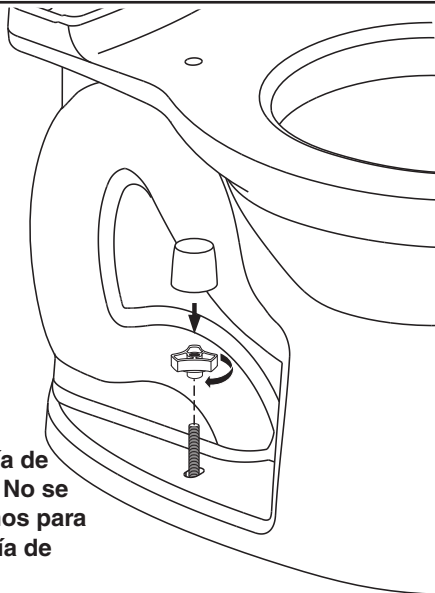
Aplice peso de manera uniforme. No lo mueva después de ubicarlo. Puede romperse el sellado hermético.



NOTA: Se muestra taza con tubería de desagüe expuesta.

5

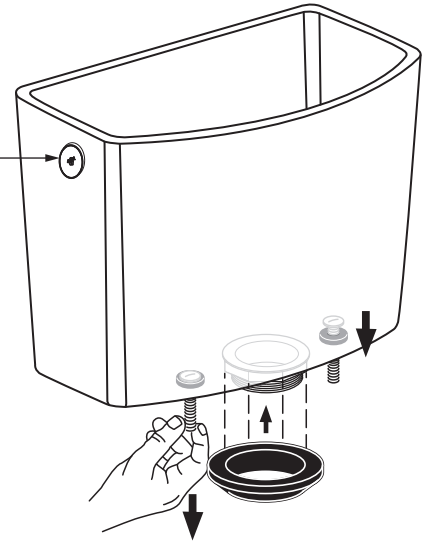
! Ajuste a mano únicamente. No ajuste en exceso.



NOTA: Se muestra la tubería de desagüe expuesta. No se usan tapas de pernos para modelos con tubería de desagüe oculta.

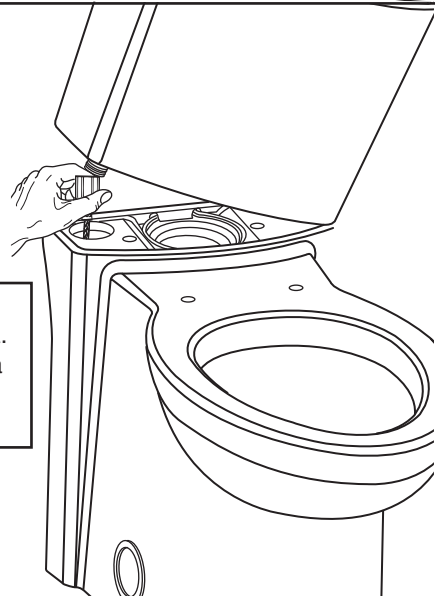
6

BOTÓN DE DESCARGA MANUAL



7

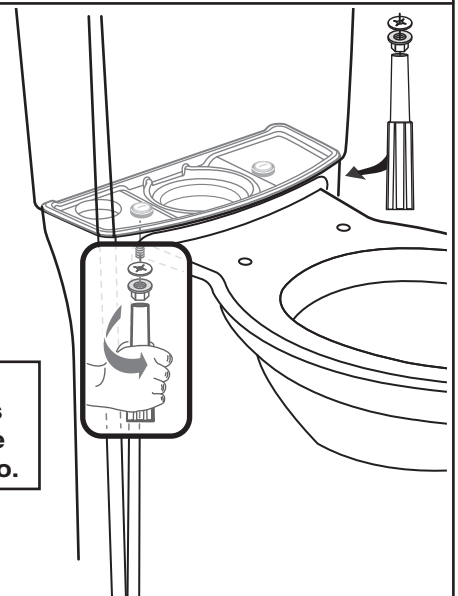
Enrosque y luego ajuste a mano el suministro de agua. Esto se hace mejor con una taza con tubería de desagüe oculta.



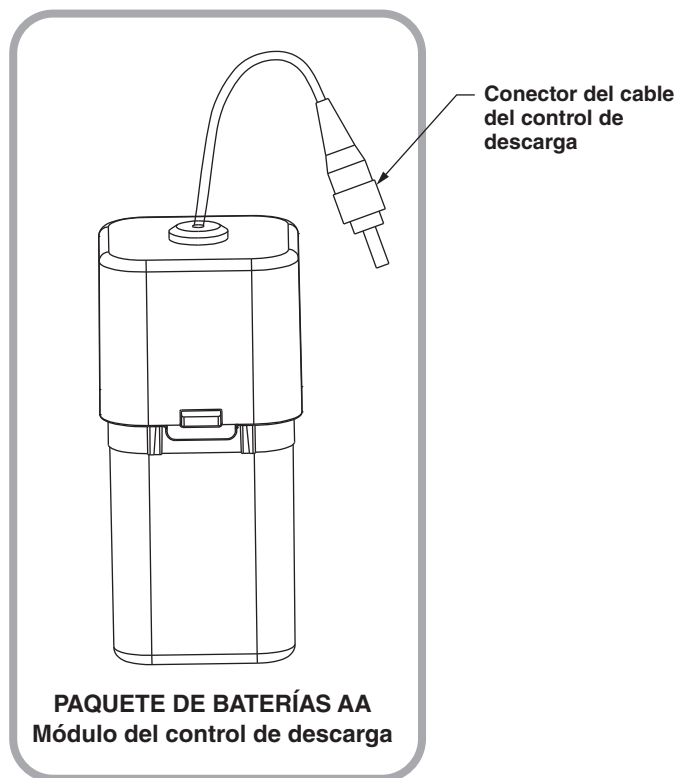
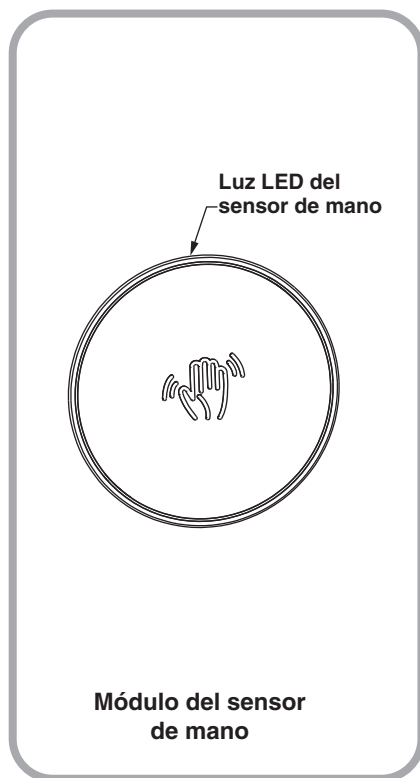
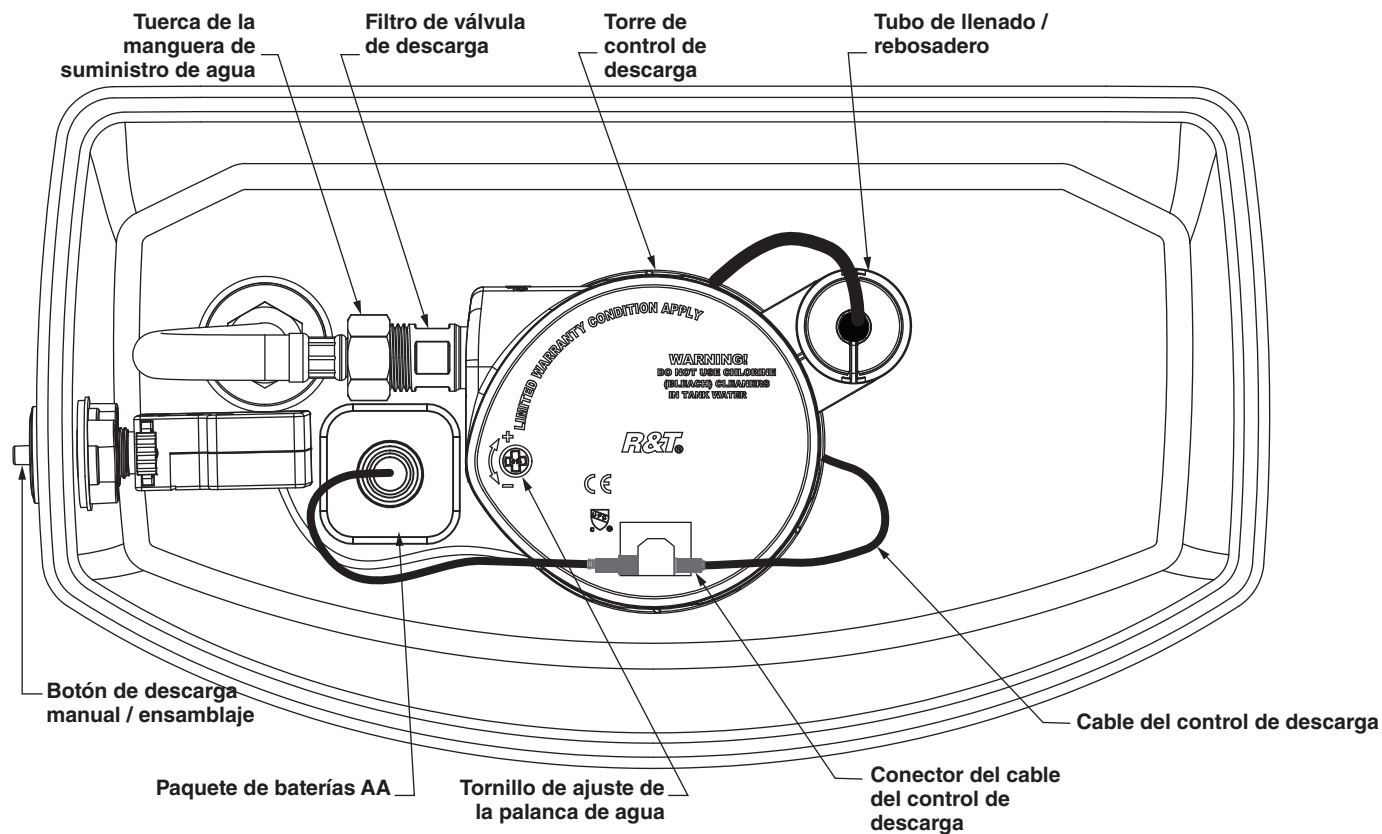
8

Ajuste las manijas alternadamente hasta que el tanque esté en contacto con la taza. **¡AJUSTE A MANO ÚNICAMENTE!**

* Para instalar el asiento, consulte las instrucciones que se incluyen con el mismo.

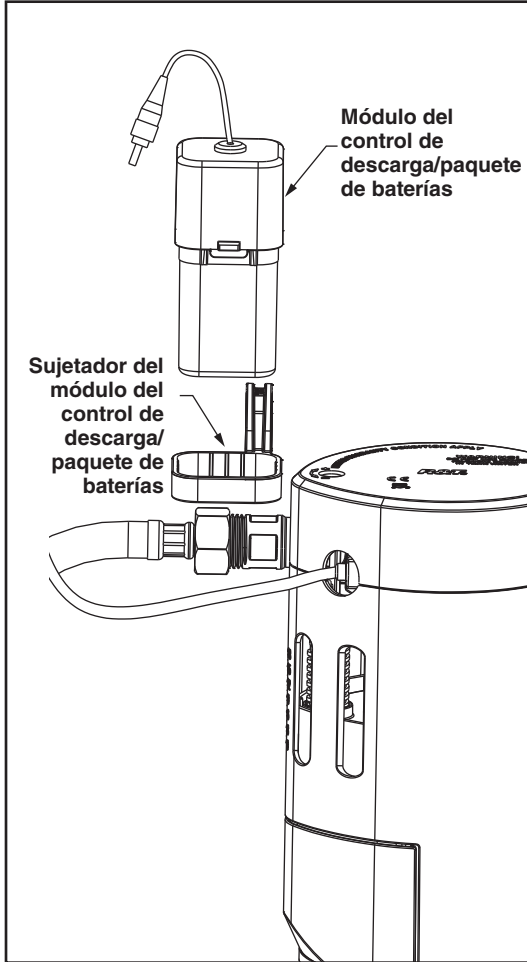


! **ADVERTENCIA:** Si ajusta en exceso las tuercas de la línea del suministro de agua, podría haber roturas e inundación potencial. Si la conexión tiene fugas después de ajustar a mano, reemplace la línea de suministro. No use ningún tipo de sellador en la conexión del suministro de agua. El uso de masilla de plomero, grasa para tubería o cualquier otro tipo de sellador anulará la garantía.



9

- a. Retire de la caja el sujetador plástico del módulo del control de descarga/paquete de baterías, engánchelo para que quede arriba del área del “filtro de la válvula de descarga.”
- b. Retire el módulo del control de descarga/paquete de baterías de la caja y siga el procedimiento de los pasos 4 a 9 en la sección “Cambiar las baterías/módulo del control de descarga del tanque” en la “Guía de funcionamiento” para agregar las baterías en el módulo. (ver la ilustración en el dibujo adjunto)



Use el cartel incluido si considera necesario informar a los usuarios cómo activar la descarga sin contacto. El cartel puede colocarse sobre la tapa del tanque o alrededor del accionador de descarga.

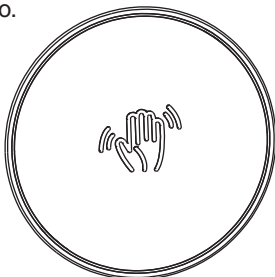


Ejemplo: sobre la tapa del tanque

10

Retire el módulo del sensor de mano de la caja y siga el procedimiento en la “Guía de funcionamiento”, específicamente los pasos 1 a 3 en la sección “Cambiar las baterías / Módulo del sensor de mano”, teniendo en cuenta también la parte de las NOTAS al final.

También consulte “Instalación del módulo del sensor de mano” en la “Guía de funcionamiento” para ver cuáles son las ubicaciones recomendadas para instalar el módulo del sensor de mano.



Módulo del sensor de mano



Ejemplo: alrededor del accionador de descarga en la pared

GUÍA DE FUNCIONAMIENTO

Guía de funcionamiento del inodoro sin contacto Cadet: Siga las instrucciones que se indican más abajo para instalar las baterías en el módulo del control de descarga y en el módulo del sensor de mano.

Indicador de BATERÍA BAJA:

MÓDULO DEL CONTROL DE DESCARGA: Si el módulo del sensor de mano destella lentamente 12 veces al mover la mano frente a él, significa que se tienen que cambiar las baterías en el tanque.

MÓDULO DEL SENSOR DE MANO: Cuando las baterías del módulo del sensor de mano están bajas, el módulo destellará rápidamente 5 veces lo que indica que las baterías deben reemplazarse.

Cambiar las baterías / módulo del control de descarga en el tanque:

1. Cierre el suministro de agua al inodoro, y luego descargue el inodoro para vaciar el tanque.
2. Retire la tapa del tanque e identifique el "Módulo del control de descarga" (ver la ilustración del módulo en la página 5).
3. Desconecte los cables del conector que van de la válvula de descarga al módulo del control de descarga para separar el módulo de la válvula y retire el módulo del control de descarga/paquete de baterías AA (ver la ilustración en la página 5).
Nota: Tenga cuidado de que los cables no caigan dentro del agua o que no se mojen.
4. Con un destornillador de cabeza Phillips, retire el tornillo que sostiene la tapa del módulo del control de descarga y retírela cuidadosamente para destapar el paquete de baterías AA.
5. Retire el paquete de baterías y saque las 4 baterías AA y reemplácelas por nuevas baterías alcalinas.
6. Vuelva a colocar el paquete de baterías en el contenedor del módulo del control de descarga teniendo en cuenta cual es la parte SUPERIOR (TOP) e INFERIOR (BOTTOM) y la orientación dentro del contenedor (ver etiqueta en el paquete de baterías).
7. Vuelva a colocar la tapa del módulo del control de descarga en el paquete de baterías, reponga el tornillo y atornille bien.
8. Conecte los cables del módulo del control de descarga y de la válvula de descarga y vuelva a colocar el módulo en el soporte de la válvula.
9. Abra el suministro de agua y llene el tanque.

Cambiar las baterías / módulo del sensor de mano:

1. Retire los 2 tornillos en la parte posterior del módulo del sensor de mano y saque la tapa posterior. Nota: Alrededor de la tapa posterior hay un anillo O de goma para proteger el sensor contra la humedad que está ajustado, por lo cual es posible que se deba forzar un poco para sacarlo. Utilizar un destornillador de cabeza plana facilitará la tarea.
2. Retire las 3 baterías AAA y coloque nuevas baterías alcalinas.
3. Vuelva a colocar la tapa posterior y atorníllela.

NOTA: Vuelva a colocar las baterías del módulo del sensor de mano dentro de los 3 minutos de haber instalado las baterías del módulo del control de descarga para que los códigos se emparejen o sincronicen. Después de instalar las baterías, mueva la mano frente al módulo del sensor de mano una vez; ello finalizará la sincronización de códigos. Si las luces del módulo del sensor de mano se encienden después de la instalación de las baterías, pero el inodoro no se descarga, quite las baterías, espere 1 minuto y luego vuelva a colocar las baterías para emparejar o sincronizar los códigos.

Sensor - NOTA I: Para el sensor de mano, la mano debe pasar frente al sensor a una distancia de 2 pulgadas. Además, el sensor debe estar dentro de los 6 pies del inodoro. Mantenga el sensor de mano en una ubicación donde no se accionará la descarga accidentalmente porque algo se acerca demasiado.

Sensor - NOTA II: Cuando se limpie alrededor del inodoro, en particular el sensor de mano, es posible que la persona se acerque al sensor y accione la descarga cuando no es necesario.

Instalación del módulo del sensor de mano:

1. El módulo del sensor de mano puede instalarse en una pared o cerca del inodoro dentro de los 3 pies usando anclajes de pared y tornillos, cinta con pegamento en ambos lados o cintas adhesivas Velcro. Verifique que el lugar elegido para el sensor sea accesible con la mano cuando se está sentado en el inodoro.

Ajuste del nivel del agua:

1. Abra el suministro de agua. Ajuste el nivel del agua a la línea de nivel de agua indicada en la parte posterior del tanque. Para subir el nivel del agua en el tanque use un destornillador Phillips, gire el tornillo de ajuste en la parte superior de la válvula de descarga (ver la ilustración en la parte superior de la página 5) en la dirección de las agujas del reloj o en la dirección del símbolo "+".
2. Para bajar el nivel del agua en el tanque gire el tornillo de ajuste en la parte superior de la válvula de descarga de forma antihoraria o en la dirección del símbolo "-".

Limpieza del filtro de la válvula de descarga:

1. Cierre el suministro de agua principal del inodoro.
2. Desconecte la manguera de suministro de agua a la torre de control de descarga con una llave ajustable (ver ilustración en la página 5).
3. Para retirar el filtro, ubique la tira (lengüeta) blanca de plástico en el centro y con una pinza pequeña jale suavemente de la tira para retirar el filtro. **Nota:** El filtro tiene un anillo O de goma que está ajustado y es posible que deba forzar un poco para retirarlo.
4. Limpie el filtro con agua limpia y un cepillo suave.
5. Vuelva a instalar el filtro, conecte y ajuste la manguera de suministro de agua, abra el suministro de agua y verifique que funcione bien.

Descarga manual

Si la batería está baja o si se produce una falla electrónica del módulo del sensor de mano o del módulo del control de descarga, el inodoro podrá descargarse manualmente con el botón de descarga en la parte exterior del tanque. Presione el botón hasta el fondo y manténgalo presionado hasta que se haya descargado completamente.

Guía de resolución de problemas

Problema/Indicador	Causa probable	Acción correctiva
No descarga o descarga con retraso	a. No hay baterías	a. Instale 4 baterías AA alcalinas en el módulo del control de descarga y 3 baterías AAA en el módulo del sensor de mano.
	b. Batería baja en el módulo del control de descarga o en el módulo del sensor de mano.	b. Siga el procedimiento para cuando se indica que la batería está baja en el módulo del sensor de mano o del módulo del control de descarga.
	c. Nivel incorrecto de agua en el tanque	c. Un nivel de agua demasiado bajo o demasiado alto afectará el rendimiento de la descarga. Llene el tanque con agua hasta el nivel correcto, tal como se especifica en la parte posterior del tanque. Vea el procedimiento "Ajuste del nivel de agua".
	d. El pistón de descarga o la varilla de desagüe.	d. Verifique si el pistón o la varilla de desagüe se mueven libremente.
	e. No hay agua en el tanque	e. Llene el tanque con agua hasta el nivel especificado en la etiqueta ubicada en la parte posterior del tanque.
	f. El inodoro está tapado	f. Levante la tapa del inodoro y desconecte el "cable del control de descarga" del paquete de baterías/módulo del control de descarga. Desatasque el inodoro. Presione el "botón de descarga manual" para despejar la tubería de desagüe y confirmar que no hay ningún atascamiento. Vuelva a conectar el "cable del control de descarga".
	g. El movimiento de la mano sin contacto fue demasiado rápido	g. Inicie un movimiento de la mano un tanto más lento dentro del área del sensor.
	h. El movimiento de la mano sin contacto no fue en el área de detección del sensor	h. El área de detección del sensor está directamente delante de la cara del sensor y hasta 2 pulgadas desde la superficie.
	i. Válvula de suministro de agua cerrada	i. Abra la válvula y deje que el tanque se llene de agua.
	j. Línea de suministro bloqueada	j. Cierre el suministro de agua, desconecte la línea de suministro e inspeccione todas las juntas y arandelas. Vuelva a armar.
	k. Hay arena o desechos en la rejilla del filtro	k. Cierre el suministro de agua al inodoro. Siga el procedimiento de "limpieza del filtro de la válvula de descarga".
Fuga	a. Nivel de agua incorrecto	a. Un nivel de agua demasiado bajo o demasiado alto afectará el rendimiento de la descarga y puede causar fugas. Llene el tanque con agua hasta el nivel correcto, tal como se especifica en la etiqueta ubicada en la parte posterior del tanque.
	b. Desechos en la superficie de sellado	b. Retire los desechos en la superficie de sellado que causan la fuga.
	c. Tuerca del vástago floja	c. Ajuste la tuerca del vástago para eliminar la fuga.
	d. El nivel de llenado de agua está demasiado alto	d. Hay fugas a través del tubo de rebosadero debido que la configuración del flotador de la válvula de llenado es demasiado alta. Baje la configuración del flotador hasta que la válvula de llenado se vuelva a llenar hasta el nivel de agua correcto. Vea el procedimiento "Ajuste del nivel de agua".
	e. El tubo de llenado no está instalado adecuadamente.	e. Ajuste el tubo de llenado y verifique que su extremo esté por encima de la línea del agua.
Descarga parcial	a. El tubo de llenado no está instalado en el tubo de rebosadero	a. Conecte el tubo de llenado al tubo de rebosadero.
	b. Nivel de agua incorrecto	b. Un nivel de agua demasiado bajo o demasiado alto afectará el rendimiento de la descarga. Llene el tanque con agua hasta el nivel correcto, tal como se especifica en la etiqueta ubicada en la parte posterior del tanque. Vea el procedimiento de "Ajuste del agua".
	c. El botón de descarga manual no fue presionado por completo	c. Presione aun más el botón de descarga manual.
Descarga no deseada	a. Movimiento u objeto en el área del sensor	a. Retire el artículo del área de activación del sensor.
No funciona el botón manual	a. El botón manual no fue presionado por completo	a. Presione aun más el botón de descarga manual.
	b. No hay agua en el tanque	b. Llene el tanque con agua hasta el nivel especificado en la etiqueta ubicada en la parte posterior del tanque. Vea el procedimiento de "Ajuste del agua".
	c. Nivel de agua incorrecto	c. Un nivel de agua demasiado bajo o demasiado alto afectará el rendimiento de la descarga. Llene el tanque con agua hasta el nivel correcto, tal como se especifica en la etiqueta ubicada en la parte posterior del tanque. Vea el procedimiento de "Ajuste del agua".
El módulo del sensor de mano destella lentamente 12 veces	a. Indica que la carga de la batería está baja en el módulo del control de descarga en el tanque	a. Reemplace las baterías en el módulo del control de descarga en el tanque.
El módulo del sensor de mano destella rápidamente 5 veces	a. Indica que la carga de la batería está baja en el módulo del sensor de mano	a. Reemplace las baterías en el módulo del sensor de mano.
El inodoro tiene una fuga	a. Mala conexión de la línea de suministro	a. Retire la línea de suministro, inspecciónela y reconéctela. Reemplace la línea de suministro si la pérdida persiste.
	b. Mala conexión de la taza al tanque/piso	b. Revise los pasos 2 a 8 del procedimiento de instalación.
La taza del inodoro se balancea después de la instalación	a. Anillo de cera no comprimido por completo	a. Vuelva a ajustar las perillas de la taza al piso.
	b. El piso no está nivelado	b. Use los calces del inodoro y/o coloque una gota de calafateo alrededor de la base del inodoro.
El módulo del sensor de mano se puede encender al detectar la mano, pero no descarga	a. El módulo del control de descarga en el tanque no está conectado adecuadamente.	a. Asegúrese de que el cable desde el módulo del control de descarga al cuerpo de la válvula de descarga esté bien conectado.
	b. Los códigos del módulo del sensor de mano y del módulo del control de descarga no están emparejados o sincronizados el uno con el otro.	b. Instale las baterías del módulo del sensor de mano dentro de los 3 minutos de haber instalado las baterías del módulo del control de descarga para que los códigos se emparejen o sincronicen.
	c. Puede ser que el paquete de baterías en el módulo del control de descarga no esté orientado correctamente.	c. Oriente las baterías en el paquete de baterías.

CUIDADO Y LIMPIEZA

Lave el inodoro con agua y jabón suave; enjuáguelo a fondo con agua limpia y séquelo con un paño suave.

ADVERTENCIA: No use limpiadores dentro del tanque. Estos productos pueden corroer gravemente las conexiones en el tanque. Este daño puede causar fugas y daños a los bienes. **American Standard no será responsable por ningún daño causado por el uso de limpiadores dentro del tanque.**

ID FCC del módulo del control: 2AW23-D7020-01
ID FCC del módulo del sensor: 2AW23-D7020-02

Este dispositivo cumple con la parte 15 de las normas FCC. El funcionamiento está sujeto a las siguientes dos condiciones:

- (1) Este dispositivo no puede causar interferencias dañinas, y
- (2) Este dispositivo debe aceptar cualquier interferencia recibida, incluyendo interferencias que puedan causar un funcionamiento no deseado.

Advertencia: Si se realizan cambios o modificaciones a esta unidad que no han sido aprobados por el responsable de cumplimiento de normas podrán invalidar la potestad del usuario de hacer funcionar el equipo.

NOTA: Este equipo ha sido probado y se verificó que cumple con los límites para dispositivos digitales clase B conforme la parte 15 de las normas FCC. Estos límites están diseñados para ofrecer protección razonable contra la interferencia nociva en una instalación doméstica. Este equipo genera, usa y puede irradiar energía de radiofrecuencia y, de no estar instalado y ser usado de acuerdo con las instrucciones, puede causar interferencias nocivas a las radiocomunicaciones.

Sin embargo, no hay garantía de que no se produzcan interferencias en una instalación dada. Si este equipo efectivamente causa interferencias a la recepción de radio o televisión, lo que puede determinarse al apagar y encender el equipo, se recomienda al usuario que intente corregir la interferencia a través de una o más de las siguientes medidas:

- Reorientar la antena de recepción o cambiarla de lugar.
- Aumentar el espacio entre el equipo y el receptor.
- Conectar el equipo a un tomacorriente que esté en un circuito que no sea el del receptor.

Consulte al distribuidor o a un técnico en TV/radio con experiencia.

GARANTÍA LIMITADA DEL INODORO

Este inodoro tiene una garantía limitada de por vida para la porcelana, una garantía limitada de 5 años para todas las piezas mecánicas del inodoro, una garantía de un año para las piezas electrónicas y una garantía limitada de un año para el asiento del inodoro si se incluye con el producto. Si la inspección de este producto sanitario de AS America, Inc. ("American Standard"), incluyendo la porcelana y todas las piezas mecánicas, confirma que presenta defectos en los materiales o la mano de obra, American Standard reparará o, a discreción suya, cambiará el producto por un modelo igual o similar.

Esta garantía limitada se aplica solamente al comprador y a la instalación no comerciales y originales de los productos. En el caso de un reclamo, se exigirá la presentación del comprobante de compra; guarde su recibo.

Para que esta garantía tenga vigencia, debe completarse el proceso de inscripción de la garantía en Internet o por teléfono de conformidad con las instrucciones de inscripción de la garantía.

Esta garantía limitada no se aplica a las instalaciones comerciales. La garantía para las instalaciones comerciales es de un año para la porcelana y las piezas mecánicas, un año para las piezas electrónicas y un año para el asiento del inodoro si se incluye con el producto.

Esta garantía **no se aplica** al cumplimiento de los códigos locales de construcción. Dado que los códigos locales de construcción varían considerablemente, el comprador del producto debe consultar a un contratista local de servicios de construcción o plomería para asegurar el cumplimiento de las normas locales antes de efectuar la instalación.

Esta garantía **quedará sin efecto** si el producto se movió de su lugar inicial de instalación; en casos de mantenimiento inadecuado, abuso, uso incorrecto, accidente u otros daños; si no se instaló de acuerdo con las instrucciones de American Standard; o si se lo modificó de una manera incongruente con el producto tal como fue enviado por American Standard.

ADVERTENCIA: Esta garantía **NO CUBRE** ningún daño causado por el uso de limpiadores dentro del tanque. Estos productos pueden corroer gravemente las conexiones en el tanque. **Este daño puede causar fugas y daños a los bienes. American Standard no será responsable por ningún daño causado por el uso de limpiadores dentro del tanque.**

La opción de American Standard de reparar o cambiar el producto conforme a esta garantía no cubre los costos de mano de obra ni de otro tipo incurridos para retirar o instalar el producto, incluyendo los costos de cualquier material circundante, como azulejos o mármol. **American Standard no es responsable de ningunos otros daños y perjuicios incidentales o emergentes atribuibles a un defecto del producto o a la reparación o al cambio de un producto defectuoso, los cuales quedan todos excluidos expresamente de esta garantía.** (Algunos estados o provincias no permiten la exclusión o limitación de garantías implícitas, por lo cual esta exclusión podría no aplicarse a su caso.)

Esta garantía le otorga derechos específicos. Es posible que tenga otros derechos establecidos por ley que varían de un estado a otro o de una provincia a otra, en cuyo caso esta garantía no afecta tales derechos establecidos por ley.

En Estados Unidos:

American Standard Brands
1 Centennial Ave.

Piscataway, Nueva Jersey 08854
Atención: Director of Customer Care

Los residentes de Estados Unidos también pueden obtener información sobre la garantía llamando al siguiente número gratuito: (800) 442-1902
www.americanstandard.com

En Canadá:

LIXIL Canada, ULC
5900 Avebury Rd.
Mississauga, Ontario
Canadá L5R 3M3

Número gratuito: (800) 387-0369
www.americanstandard.ca

En México:

American Standard B&K Mexico
S. de R.L. de C.V.
Vía Morelos #330
Col. Santa Clara
Ecatepec 55540 Edo. México

Número gratuito: 01-800-839-1200
www.americanstandard.com.mx

COMPLETE EL PROCESO DE INSCRIPCIÓN DE LA GARANTÍA DE AMERICAN STANDARD Y GUARDE ESTA INFORMACIÓN SOBRE LA GARANTÍA

IMPORTANTE: Debe realizar la inscripción del inodoro para que esta garantía tenga vigencia. Gracias a su inscripción, será más fácil contactarlo en caso de una retirada del producto del mercado.*

INSTRUCCIONES: Registre el inodoro en www.americanstandard.com. Guarde el comprobante de compra (recibo de compra).

Si necesita asistencia o no puede acceder a nuestro sitio web, comuníquese con la Atención al Cliente de American Standard llamando al: (800) 442-1902. Un representante de American Standard lo ayudará a completar la inscripción de la garantía.

* En California, sus derechos de garantía permanecen intactos aunque no complete el proceso de inscripción.

ESTA GARANTÍA NO ES TRANSFERIBLE DEL COMPRADOR CONSUMIDOR ORIGINAL.

INSTRUCTIONS D'INSTALLATION NETTOYAGE ET ENTRETIEN

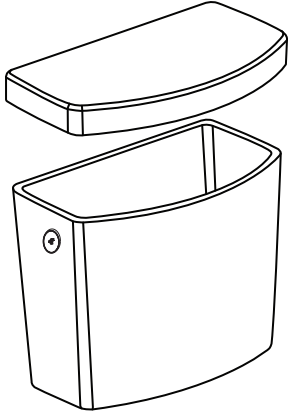
*American
Standard*

Toilette à chasse sans contact Cadet^{MD} Modèles 2794.709 / 2989.709 / 215AA.709

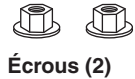
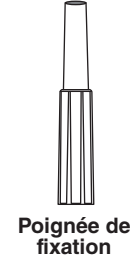
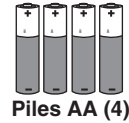
Merci d'avoir choisi American Standard... la référence en matière de qualité depuis plus de 140 ans. Afin de vous assurer que le produit est installé correctement, veuillez lire attentivement les instructions avant de commencer. (Certaines installations peuvent nécessiter une aide professionnelle.) Assurez-vous également que votre installation est conforme aux codes locaux.

⚠ MISE EN GARDE : LE PRODUIT EST FRAGILE. MANIPULEZ-LE AVEC SOIN POUR ÉVITER LES BRIS ET LES BLESSURES!
REMARQUE : Les illustrations peuvent ne pas montrer exactement la forme des composants et de la porcelaine.

RÉSERVOIR 4000.709



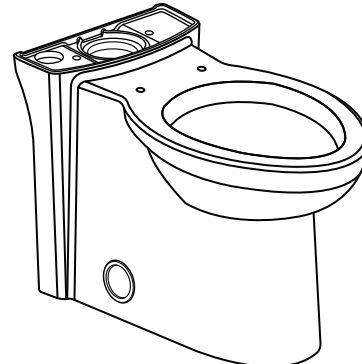
TROUSSE FOURNIE AVEC LE RÉSERVOIR



3517A.101 CUVETTE ALLONGÉE À HAUTEUR DE CHAISE

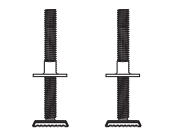


3075.000 / 3075.120 CUVETTES ALLONGÉES À HAUTEUR DE CHAISE

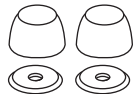


TROUSSE FOURNIE AVEC LA CUVETTE

CUVETTE AVEC JAMBE DE SIPHON APPARENTE

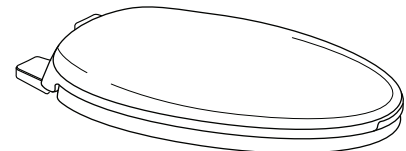
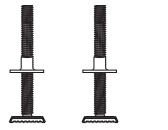


Comprend également des cache-boulons standard (2)



TROUSSE FOURNIE AVEC LES CUVETTES

CUVETTES AVEC JAMBE DE SIPHON DISSIMULÉE



* Pour l'installation du siège, lire les instructions fournis avec celui-ci.

À C O N S E R V E R P O U R U S A G E U L T É R I E U R

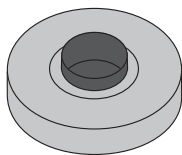


7302484-100R1

Les noms de produits mentionnés dans le présent document sont des marques commerciales de AS America, Inc.
© AS America, Inc. 2020

7302484-100FR Rev. 1 10/20

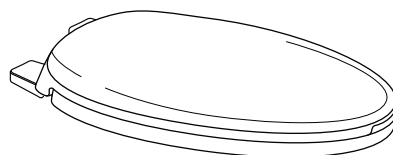
VENDUS SÉPARÉMENT



Bague de cire



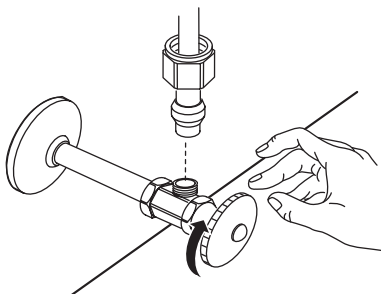
Tuyau d'alimentation



Siège de toilette à fermeture lente
(3517A cuvette uniquement)

AVANT DE COMMENCER : Veuillez lire la fiche technique pour les détails de raccordement

Coupez l'alimentation en eau.

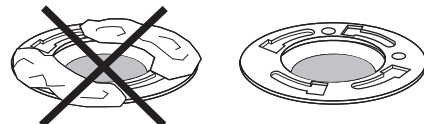


Si vous retirez une toilette en place

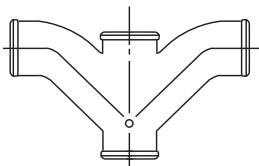
Tirez la chasse pour vider l'eau du réservoir; épongez l'eau qui reste dans la cuvette avant de retirer la toilette.



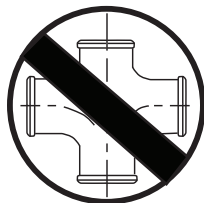
Nettoyez la bride.



⚠ Mise en garde : Si la bride de plancher doit demeurer ouverte plus d'une à deux heures, couvrez-la pour éviter l'échappement de gaz d'égout.



Type de raccord recommandé pour les installations dos à dos

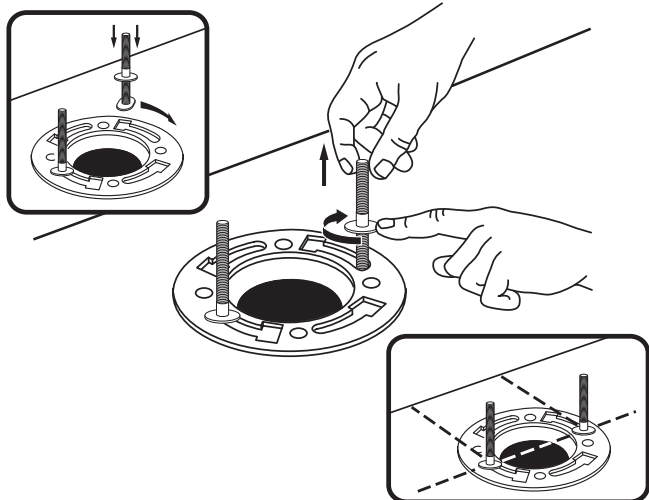


INSTALLATION DOS À DOS

Selon les conditions de l'installation de plomberie et d'aération, le débit de la toilette dans une installation dos à dos peut créer une dépression dans le système et « aspirer » l'eau de la cuvette opposée. Le code national des normes en matière de plomberie interdit l'utilisation d'un raccord en croix pour le drainage puisqu'il peut se produire des débordements. Le code autorise l'installation d'un raccord directionnel en « Y » muni de l'aération appropriée afin de diriger l'eau vers le bas et de l'éloigner de l'autre toilette.

INSTRUCTIONS D'INSTALLATION :

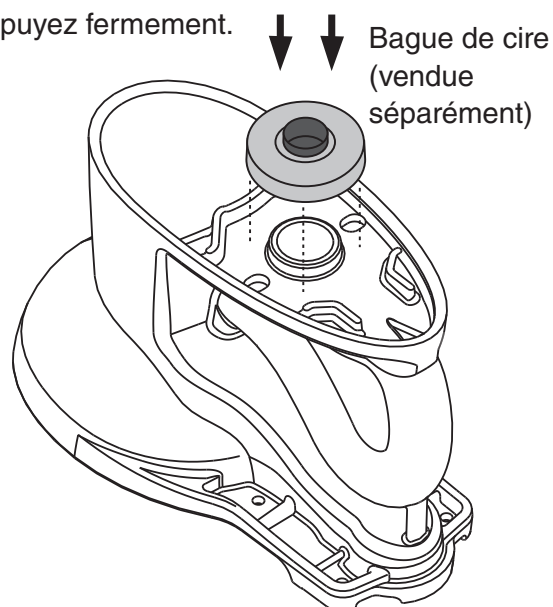
1



REMARQUE : Boulons en T avec bague d'arrêt inclus.

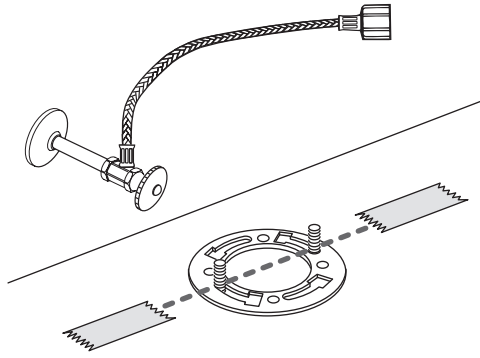
2

Appuyez fermement.



REMARQUE : Illustration d'une cuvette avec jambe de siphon apparente.

3



CONSEIL : Placez 2 morceaux de ruban-cache adhésif au sol (comme illustré) pour faciliter l'alignement à l'étape 4.

REMARQUE : Si vous installez une cuvette de toilette à jambe de siphon dissimulée, raccordez le tuyau d'alimentation au robinet d'alimentation.

4

Répartissez le poids uniformément. Ne déplacez pas la toilette après l'installation, car le scellant pourrait se briser.

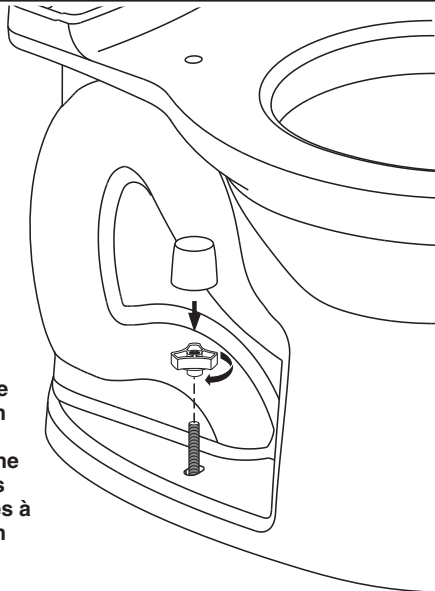


REMARQUE : Illustration d'une cuvette avec jambe de siphon apparente.

5

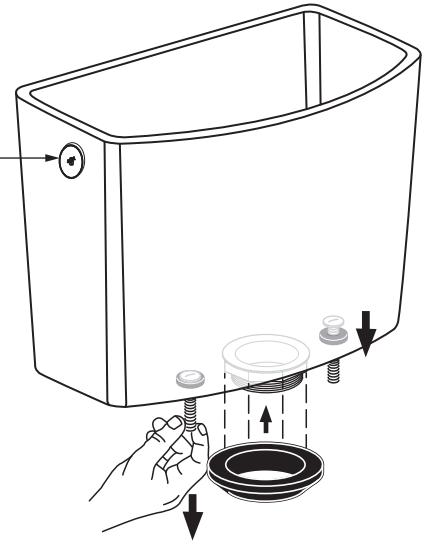
! Serrez à la main seulement. Ne serrez pas excessivement.

REMARQUE : Illustration d'une jambe de siphon apparente. Les cache-boulons ne sont pas utilisés pour les modèles à jambe de siphon dissimulée.



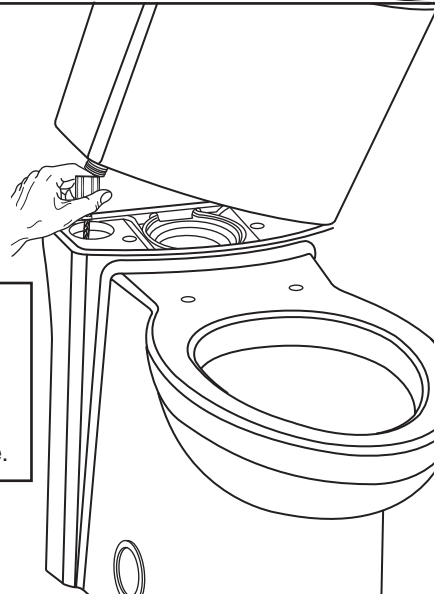
6

BOUTON D'ACTIVATION MANUELLE DE LA CHASSE



7

Vissez, puis serrez à la main le raccord du tuyau d'alimentation. Il est préférable de suivre ce processus avec la cuvette à jambe de siphon dissimulée.



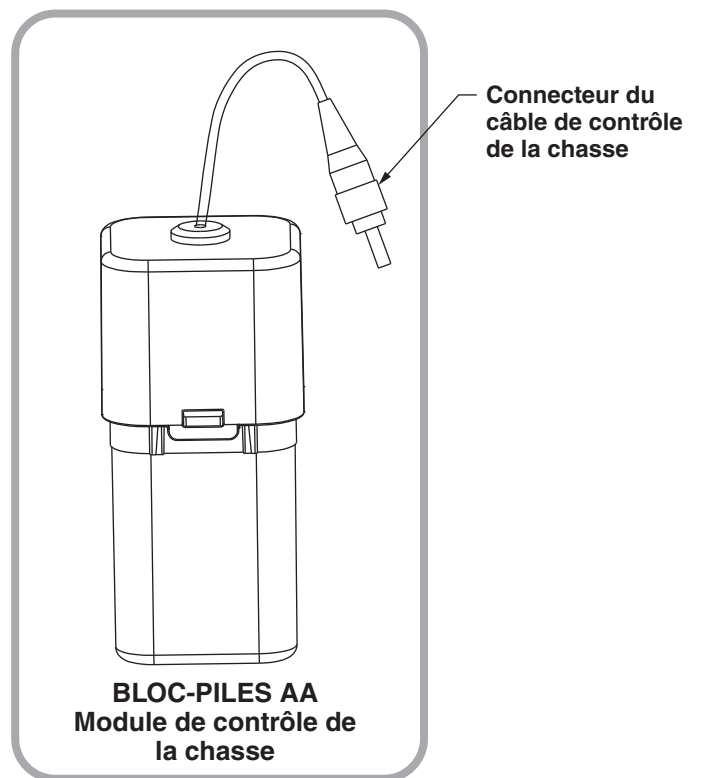
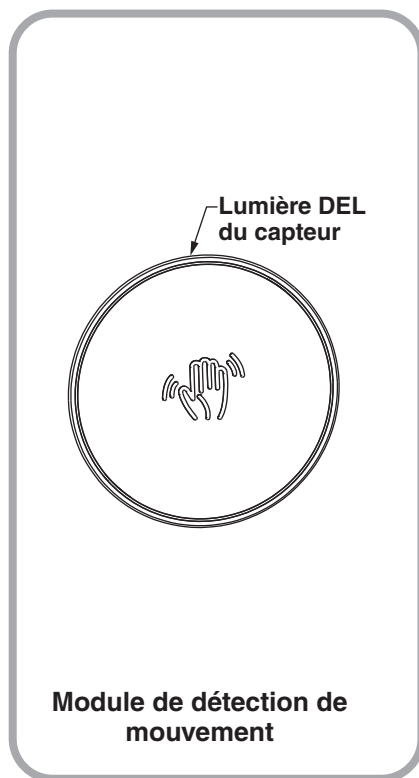
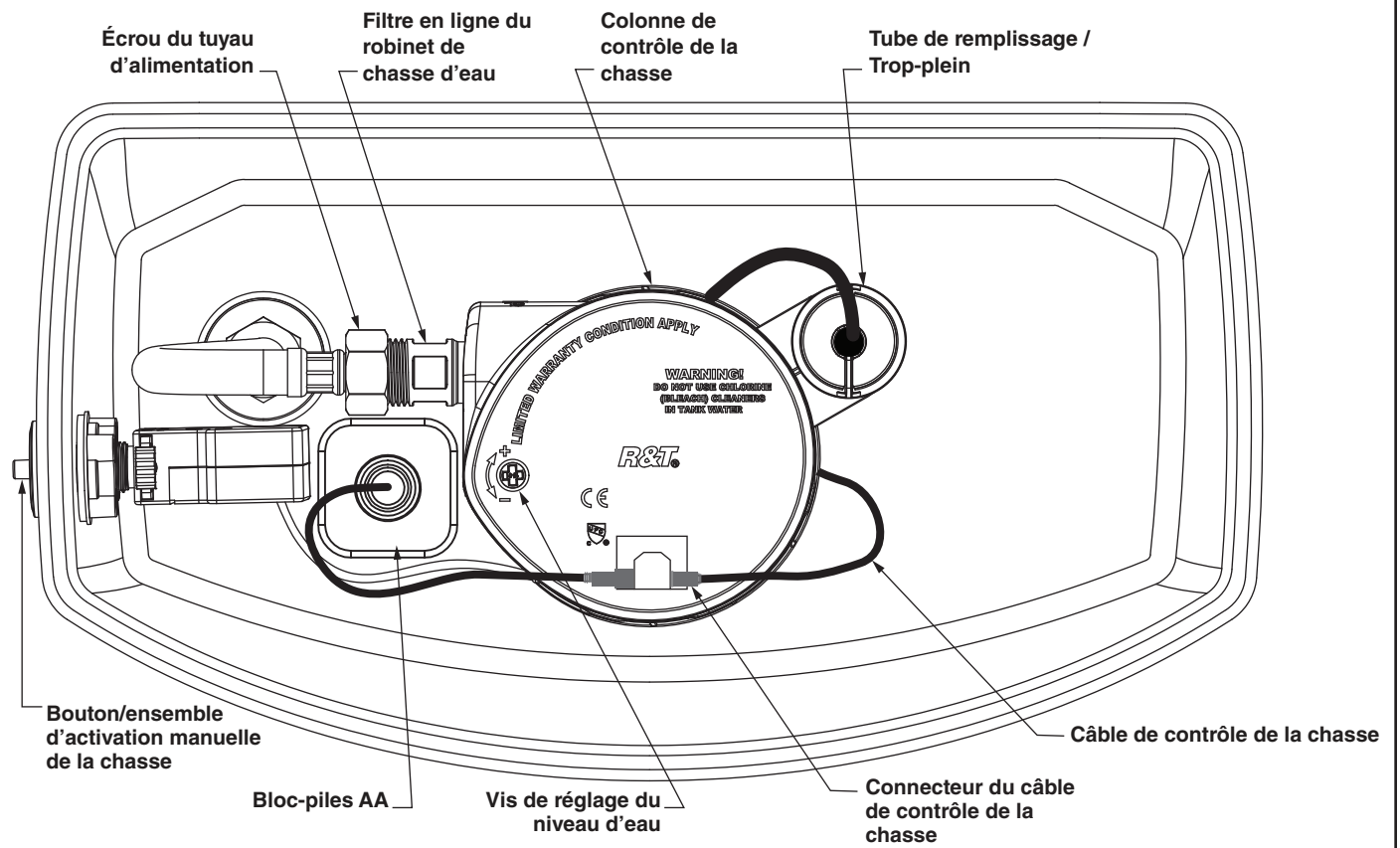
8

Serrez tour à tour les poignées de fixation jusqu'à ce que le réservoir entre totalement en contact avec la cuvette. **SERREZ À LA MAIN SEULEMENT!**

* Pour l'installation du siège, lire les instructions fournis avec celui-ci.

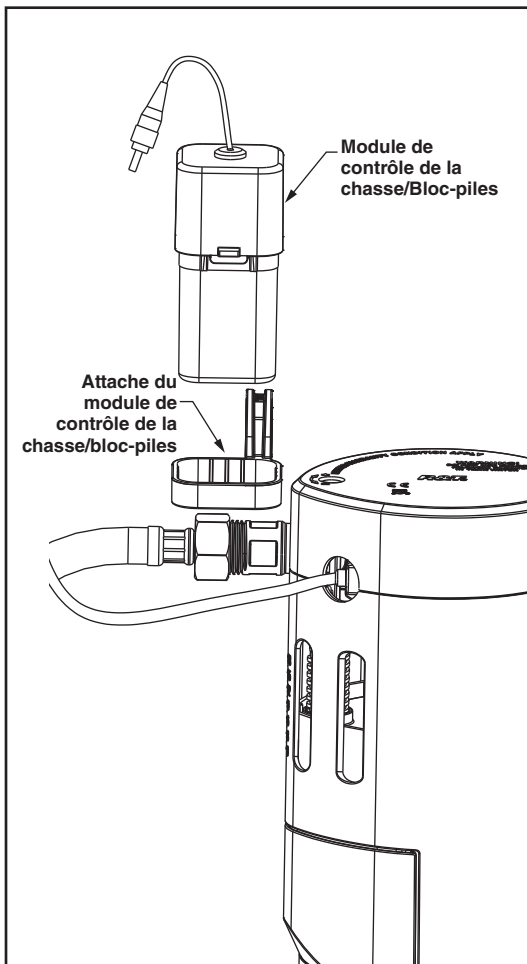


! **AVERTISSEMENT :** Un serrage excessif des écrous du tuyau d'alimentation pourrait entraîner une rupture de celui-ci et une éventuelle inondation. Si le raccord fuit après le serrage à la main, remplacez le tuyau d'alimentation. N'utilisez aucun scellant sur le raccord de l'alimentation. *L'utilisation de mastic de plomberie, de pâte lubrifiante ou de tout autre type de scellant annulera la garantie.*



9

- a. Déballez l'attache en plastique du module de contrôle de la chasse/bloc-piles et clipsez-la au-dessus de la zone du filtre en ligne du robinet de chasse d'eau.
- b. Déballez le module de contrôle de la chasse/bloc-piles et suivez les étapes 4 à 9 de la procédure décrite à la section « Changement des piles du module de contrôle de la chasse dans le réservoir » du guide opérationnel pour installer des piles dans le module. (voir l'illustration ci-jointe)



Veillez utiliser la signalétique incluse si vous jugez nécessaire de communiquer aux utilisateurs le mode d'activation de la chasse hygiénique sans contact. La signalétique peut être placée sur le dessus du couvercle du réservoir ou à proximité du capteur d'activation de la chasse.

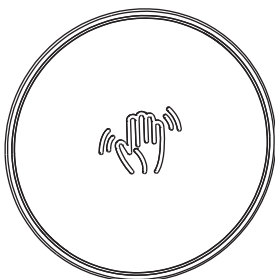


Exemple : sur le couvercle du réservoir

10

Déballez le module de détection de mouvement et suivez les étapes 1 à 3 de la procédure décrite à la section « Changement des piles du module de détection de mouvement » du guide opérationnel, tout en prenant connaissance des **REMARQUES** subséquentes.

Veillez également lire la section « Installation du module de détection de mouvement » du guide opérationnel pour savoir où il convient de l'installer.



Module de détection de mouvement



Exemple : à proximité du capteur d'activation de la chasse placé sur le mur

GUIDE OPÉRATIONNEL

Guide opérationnel de la toilette à chasse sans contact Cadet : Suivez les instructions ci-dessous pour installer les piles dans le module de contrôle de la chasse et le module de détection de mouvement.

Indication du FAIBLE NIVEAU DES PILES :

MODULE DE CONTRÔLE DE LA CHASSE : Si la lumière du module de détection de mouvement clignote lentement à 12 reprises lorsque vous passez la main devant le capteur, les piles du module de contrôle de la chasse placé dans le réservoir doivent être remplacées.

MODULE DE DÉTECTION DE MOUVEMENT : Lorsque le niveau des piles du module de détection de mouvement est faible, il émet 5 clignotements rapides pour indiquer que les piles doivent être remplacées.

Changement des piles du module de contrôle de la chasse placé dans le réservoir :

1. COUPEZ l'alimentation en eau, puis tirez la chasse pour retirer l'eau du réservoir.
2. Retirez le couvercle du réservoir et déterminez l'emplacement du module de contrôle de la chasse. (voir l'illustration du module à la page 5)
3. Débranchez les fils de connexion entre le robinet de la chasse et le module de contrôle de la chasse pour séparer ces deux éléments et retirez le module de contrôle de la chasse/bloc-piles AA (voir l'illustration à la page 5).
Remarque : Veillez à ce que les fils ne tombent pas dans l'eau ou ne se fassent pas mouiller.
4. À l'aide d'un petit tournevis cruciforme, retirez la seule vis maintenant le couvercle du module de contrôle de la chasse et retirez délicatement celui-ci pour accéder au bloc-piles AA.
5. Retirez le bloc-piles, puis remplacez les 4 piles AA par de nouvelles piles alcalines.
6. Remplacez le bloc-piles dans le réceptacle du module de contrôle de la chasse, en veillant à suivre les instructions de positionnement (PARTIES SUPÉRIEURE ET INFÉRIEURE) et d'orientation au sein du réceptacle (indiquées sur le bloc-piles).
7. Clipsez le couvercle du module de contrôle de la chasse au-dessus du bloc-piles, remplacez la vis et serrez-la fermement.
8. Rebranchez les fils de connexion entre le module de contrôle de la chasse et le robinet de chasse, puis remplacez le module dans le support du robinet de chasse.
9. Ouvrez de nouveau le robinet d'alimentation et laissez le réservoir se remplir d'eau.

Changement des piles du module de détection de mouvement :

1. Retirez les deux vis se trouvant au dos du module de détection de mouvement et retirez le panneau arrière. Remarque : Un joint torique en caoutchouc est placé autour du panneau arrière pour empêcher l'humidité de s'infiltrer dans le capteur, permettant ainsi un ajustement serré qui pourrait compliquer son retrait. L'utilisation d'un tournevis à tête plate permettra de faciliter le retrait de ce panneau.
2. Retirez les 3 piles AAA et remplacez-les par de nouvelles piles alcalines.
3. Remettez le panneau arrière en place et fixez-le de nouveau à l'aide des vis.

REMARQUE : Remplacez les piles du module de détection de mouvement dans les 3 minutes suivant l'installation des piles du module de contrôle de la chasse pour permettre aux codes de s'apparier ou de se synchroniser. Après avoir installé les piles, passez une main devant le module de détection de mouvement pour achever le processus d'appariement des codes. Après l'installation des piles, si la lumière du module de détection de mouvement s'allume sans que la chasse se tire, retirez les piles, attendez une minute, puis remplacez de nouveau les piles pour apparier ou synchroniser les codes.

REMARQUE I sur le capteur : Il est nécessaire de passer la main devant la surface du capteur de détection de mouvement, à une distance maximale de 2 pouces, pour activer le mécanisme de chasse. Le capteur doit également être installé à moins de 6 pieds de la toilette. Installez le capteur à un endroit où la chasse ne sera pas tirée de manière accidentelle si un élément s'approche étroitement de celui-ci.

REMARQUE II sur le capteur : Lors du nettoyage des toilettes, et notamment du capteur, la chasse peut être tirée involontairement si la personne chargée du nettoyage effectue un mouvement à proximité de celui-ci.

Installation du module de détection de mouvement :

1. Le capteur de détection de mouvement peut être installé sur un mur ou à une distance maximale de 3 pieds de la toilette à l'aide d'ancrages mureaux et de vis, de ruban adhésif double face ou de bandes adhésives Velcro. Veillez à ce que le capteur de mouvement soit placé de sorte à pouvoir l'atteindre de la main en étant assis sur la toilette.

Ajustement du niveau de l'eau :

1. Coupez l'alimentation en eau. Ajustez le niveau de l'eau de sorte à respecter le niveau indiqué à l'arrière du réservoir. Pour faire monter le niveau d'eau dans le réservoir, munissez-vous d'un tournevis cruciforme et desserrez la vis de réglage située au-dessus du robinet de chasse (voir l'illustration de la page 5) dans le sens des aiguilles d'une montre ou dans la direction du symbole « + ».
2. Pour faire baisser le niveau d'eau dans le réservoir, desserrez la vis de réglage située au-dessus du robinet de chasse dans le sens contraire des aiguilles d'une montre ou dans la direction du symbole « - ».

Nettoyage du filtre en ligne du robinet de chasse d'eau :

1. COUPEZ la principale alimentation en eau.
2. Déconnectez le tuyau d'alimentation de la colonne de contrôle de la chasse à l'aide d'une clé réglable. (voir l'illustration à la page 5)
3. Pour retirer le filtre, tirez sur la bande blanche en plastique dépassant au centre à l'aide d'une petite pince. **Remarque :** Le filtre est doté d'un joint torique en caoutchouc, permettant ainsi un ajustement serré qui pourrait compliquer son retrait.
4. Nettoyez le filtre à l'eau potable à l'aide d'une brosse douce.
5. Réinstallez le filtre, reconnectez bien le tuyau d'alimentation et ouvrez de nouveau le robinet d'alimentation. Vérifiez que tout fonctionne correctement.

Solution d'activation manuelle de la chasse

Si le niveau des piles est faible ou le capteur de mouvement ou le module de contrôle de la chasse subit une panne électronique, la chasse de la toilette peut toujours être tirée manuellement à l'aide du bouton situé à l'extérieur du réservoir. Appuyez fermement sur le bouton jusqu'à que la chasse soit complètement tirée.

Guide de dépannage

Problème/Indicateur	Cause potentielle	Mesure corrective
Impossibilité de tirer la chasse ou déclenchement en différé	a. Aucune pile installée	a. Installez 4 piles alcalines AA dans le module de contrôle de la chasse et 3 piles AAA dans le module de détection de mouvement.
	b. Faible niveau des piles du module de contrôle de la chasse ou du module de détection de mouvement.	b. Suivez la procédure décrite dans le paragraphe sur l'indication du faible niveau des piles installées dans le module de détection de mouvement ou le module de contrôle de la chasse.
	c. Niveau d'eau du réservoir incorrect	c. Si le niveau d'eau est trop bas ou trop haut, cela nuira au fonctionnement de la chasse. Remplissez le réservoir d'eau jusqu'au niveau approprié, comme indiqué à l'arrière du réservoir. Voir la procédure d'ajustement du niveau d'eau.
	d. Le piston de la chasse d'eau ou la tige de levage est coincé	d. Vérifiez si le piston ou la tige de levage bouge librement.
	e. Absence d'eau dans le réservoir	e. Remplissez le réservoir d'eau jusqu'au niveau indiqué sur l'étiquette placée à l'arrière du réservoir.
	f. La toilette est bouchée	f. Soulevez le couvercle du réservoir et débranchez le câble de contrôle de la chasse du bloc-piles/du module de contrôle de la chasse. Débouchez la toilette. Appuyez sur le bouton d'activation manuelle de la chasse pour désobstruer la jambe du siphon et vérifiez que le siphon est débarrassé de tout bouchon. Reconnectez le câble de contrôle de la chasse.
	g. Le geste de la main était trop rapide	g. Passez plus lentement la main dans la zone de détection du capteur.
	h. Le geste de la main n'a pas été effectué dans la zone de détection du capteur.	h. La zone de détection du capteur correspond à la zone se trouvant directement en face de la surface du capteur, jusqu'à une distance de 2 pouces.
	i. Robinet d'alimentation fermé	i. Ouvrez le robinet et laissez le réservoir se remplir d'eau.
	j. Tuyau d'alimentation bloqué	j. Fermez le robinet d'alimentation, débranchez le tuyau d'alimentation et vérifiez tous les joints et rondelles. Réassemblez le tout.
	k. Sable ou débris logés dans la crépine du filtre	k. COUPEZ l'alimentation en eau de la toilette. Suivez la procédure décrite dans le paragraphe « Nettoyage du filtre en ligne du robinet de chasse d'eau ».
Fuites	a. Niveau d'eau incorrect	a. Si le niveau d'eau est trop bas ou trop haut, cela nuira au fonctionnement de la chasse et pourrait provoquer des fuites. Remplissez le réservoir d'eau jusqu'au niveau approprié, comme indiqué sur l'étiquette placée à l'arrière du réservoir.
	b. Débris sur la surface d'étanchéité	b. Retirez les débris sur la surface d'étanchéité causant la fuite.
	c. Écrou de la tige du robinet de remplissage desserré	c. Resserrez l'écrou de la tige du robinet pour faire disparaître la fuite.
	d. Le niveau d'eau de remplissage est trop haut	d. Les fuites s'échappent dans le tube de trop-plein en raison du positionnement trop haut du flotteur du robinet de remplissage. Baissez le flotteur jusqu'à ce que le robinet de remplissage remplisse le réservoir jusqu'au niveau approprié. Voir la section « Procédure d'ajustement du niveau d'eau ».
	e. Tube de remplissage mal installé	e. Ajustez le tube de remplissage et assurez-vous que l'extrémité du tube se trouve au-dessus de la ligne d'eau.
Chasse partielle	a. Tube de remplissage pas inséré dans le tube de trop-plein	a. Connectez le tube de remplissage au tube de trop plein.
	b. Niveau d'eau incorrect	b. Si le niveau d'eau est trop bas ou trop haut, cela nuira au fonctionnement de la chasse. Remplissez le réservoir d'eau jusqu'au niveau approprié, comme indiqué sur l'étiquette placée à l'arrière du réservoir. Voir la section « Procédure d'ajustement du niveau d'eau ».
	c. Le bouton d'activation manuelle de la chasse n'est pas pleinement enfoncé	c. Appuyez plus fermement sur le bouton d'activation manuelle de la chasse.
Déclenchement involontaire de la chasse	a. Mouvement ou objet dans la zone de détection du capteur	a. Retirez l'objet se trouvant dans la zone de détection du capteur.
Panne du bouton d'activation manuelle	a. Le bouton d'activation manuelle de la chasse n'est pas pleinement enfoncé	a. Appuyez plus fermement sur le bouton d'activation manuelle de la chasse.
	b. Absence d'eau dans le réservoir	b. Remplissez le réservoir d'eau jusqu'au niveau indiqué sur l'étiquette placée à l'arrière du réservoir. Voir la section « Procédure d'ajustement du niveau d'eau ».
	c. Niveau d'eau incorrect	c. Si le niveau d'eau est trop bas ou trop haut, cela nuira au fonctionnement de la chasse. Remplissez le réservoir d'eau jusqu'au niveau approprié, comme indiqué sur l'étiquette placée à l'arrière du réservoir. Voir la section « Procédure d'ajustement du niveau d'eau ».
La lumière du module de détection de mouvement effectue 12 clignotements lents	a. Faible niveau des piles du module de contrôle de la chasse placé dans le réservoir.	a. Remplacez les piles du module de contrôle de la chasse placé dans le réservoir.
La lumière du module de détection de mouvement effectue 5 clignotements rapides	a. Faible niveau des piles du module de détection de mouvement.	a. Remplacez les piles du module de détection de mouvement.
La toilette fuit	a. Mauvais raccord du tuyau d'alimentation	a. Retirez le tuyau d'alimentation, inspectez-le, puis reconnectez-le. Remplacez le tuyau d'alimentation si la fuite persiste.
	b. Mauvais raccord de la cuvette au réservoir/plancher	b. Revoyez les étapes 2 à 8 de la procédure d'installation.
La cuvette de la toilette bouge après l'installation	a. La bague de cire n'est pas entièrement compressée	a. Resserrez les écrous de raccord de la cuvette au plancher.
	b. Le plancher n'est pas de niveau	b. Utilisez des cales pour toilette et/ou appliquez une petite quantité de mastic isolant autour de la base de la toilette.
La lumière du module s'allume après détection d'un mouvement, mais la chasse ne se tire pas	a. Le module de contrôle de la chasse placé dans le réservoir n'est pas bien connecté.	a. Assurez-vous que le fil reliant le module de contrôle de la chasse au robinet de chasse est bien connecté.
	b. Les codes du module de détection de mouvement et du module de contrôle de la chasse ne sont pas appariés ou synchronisés	b. Installez les piles du module de détection de mouvement dans les 3 minutes suivant l'installation des piles du module de contrôle de la chasse pour permettre aux codes de s'apparier ou de se synchroniser.
	c. Les piles du module de contrôle de la chasse ne sont pas placées correctement.	c. Placez correctement les piles dans le bloc-piles.

ENTRETIEN ET NETTOYAGE

Lorsque vous nettoyez votre cuvette, lavez-la avec de l'eau légèrement savonneuse, rincez-la à fond à l'eau claire et essuyez-la avec un chiffon doux.

AVERTISSEMENT : N'utilisez pas de nettoyeurs pour cuvette que l'on place dans le réservoir. Ces produits peuvent sérieusement corroder les raccords du réservoir. Ces dommages peuvent entraîner des fuites et des dommages. **American Standard n'assume aucune responsabilité pour tout dommage causé par l'utilisation de nettoyeurs pour cuvette placés dans le réservoir.**

Identifiant FCC du module de contrôle : 2AW23-D7020-01
Identifiant FCC du module de détection : 2AW23-D7020-02

Ce produit répond aux exigences de la section 15 de la réglementation de la FCC. Son fonctionnement est soumis aux conditions suivantes :

- (1) Ce dispositif ne doit causer aucune interférence nuisible; et
- (2) Ce dispositif doit accepter toute interférence reçue, notamment celles pouvant entraîner un fonctionnement indésirable.

Avertissement : Toute transformation ou modification non expressément autorisée par l'entité responsable de la conformité pourrait faire perdre à l'utilisateur son droit d'utiliser ce dispositif.

REMARQUE : Cet équipement a été testé et déclaré conforme aux exigences relatives aux appareils numériques de classe B, en vertu de la section 15 de la réglementation de la FCC. Ces exigences visent à fournir aux installations résidentielles une protection raisonnable contre les interférences. Cet équipement génère, utilise et peut irradier une énergie de radiofréquence et, s'il n'est pas installé et utilisé conformément aux directives, peut causer des interférences nuisibles pour les radiocommunications.

Cependant, il n'est pas garanti que des interférences ne seront pas générées dans une installation donnée. Si cet équipement cause des interférences nuisibles à la réception des signaux de radio ou de télévision, ce qui peut être déterminé en allumant et en éteignant l'appareil, l'utilisateur peut essayer de résoudre le problème de l'une des façons suivantes :

- en réorientant ou déplaçant l'antenne de réception;
- en éloignant davantage l'équipement du récepteur;
- en raccordant l'équipement à une prise ou à un circuit indépendant de celui auquel le récepteur est raccordé.

Consultez votre fournisseur ou un technicien radiotélévision expérimenté.

GARANTIE LIMITÉE DE LA TOILETTE

Cette toilette comporte une garantie limitée de 5 ans sur la porcelaine, une garantie limitée de 5 ans sur toutes les pièces mécaniques de la toilette, une garantie limitée de 1 an sur les pièces électroniques et une garantie limitée de 1 an sur le siège de toilette si celui-ci est compris avec le produit. Si l'inspection de ce produit de plomberie de AS America Inc. (« American Standard »), y compris la porcelaine et l'ensemble des pièces mécaniques, confirme que ce produit a un défaut de matériel ou de fabrication, American Standard réparera le produit ou l'échangera, à son entière discrétion, contre un modèle identique ou semblable.

La présente garantie limitée s'applique uniquement à l'acheteur d'origine non commercial de ces produits et à l'installation de ces produits. Dans l'éventualité d'une réclamation en vertu de la garantie limitée, une preuve d'achat sera exigée. Veuillez donc conserver vos tickets de caisse.

Pour valider cette garantie, la procédure d'enregistrement de la garantie doit être réalisée par Internet ou téléphone, conformément aux instructions d'enregistrement de la garantie.

Cette garantie limitée ne s'applique pas aux installations commerciales. La garantie pour les installations commerciales est de 1 an sur la porcelaine et les pièces mécaniques de la toilette, de 1 an sur les pièces électroniques et de 1 an sur le siège de toilette si celui-ci est compris avec le produit.

Cette garantie limitée **ne s'applique pas** au respect des codes locaux du bâtiment. Puisque les codes locaux du bâtiment varient considérablement, il est conseillé à l'acheteur de vérifier auprès d'un entrepreneur local en plomberie ou en bâtiment afin de s'assurer de la conformité au code local avant l'installation.

Cette garantie **sera nulle** si le produit a été déplacé de son emplacement initial d'installation; s'il a fait l'objet d'un entretien défectueux, d'abus, d'une mauvaise utilisation, d'un accident ou a subi d'autres dommages; s'il n'a pas été installé conformément aux directives d'American Standard; ou s'il a été modifié d'une façon incompatible avec le produit tel qu'il a été livré par American Standard.

AVERTISSEMENT : Cette garantie **NE COUVRE PAS** les éventuels dommages ayant été causés par l'utilisation de nettoyeurs pour cuvette placés dans le réservoir. Ces produits peuvent sérieusement corroder les raccords de tuyauterie du réservoir. Ces dommages peuvent entraîner des fuites et des dommages matériels.

American Standard ne sera en aucun cas responsable de quelque dommage que ce soit causé par l'utilisation de nettoyeurs pour cuvette placés dans le réservoir.

Les options de réparation ou de remplacement par American Standard en vertu de la présente garantie ne couvrent pas les frais de main-d'œuvre ou autres coûts d'enlèvement et d'installation, y compris les frais inhérents aux matériaux adjacents tels que des carreaux ou du marbre. **American Standard ne peut être tenue responsable des dommages indirects ou accessoires attribuables à une défectuosité du produit ou à la réparation ou au remplacement d'un produit défectueux, ceux-ci étant expressément exclus de cette garantie limitée.** (La législation de certains États ou certaines provinces ne permet pas l'exclusion ou la limitation des garanties tacites. Par conséquent, ces exclusions ou limitations peuvent ne pas s'appliquer à votre cas.)

Cette garantie vous confère des droits juridiques précis. Vous pouvez vous prévaloir d'autres droits prévus par la loi, variables d'un état à l'autre ou d'une province à l'autre, auquel cas cette garantie n'affecte pas lesdits droits.

Aux États-Unis :

American Standard Brands
1 Centennial Ave
Piscataway, New Jersey 08854

À l'attention de : Directeur du service à la clientèle
Pour les résidents des États-Unis, les informations de garantie peuvent également être obtenues en appelant au numéro sans frais suivant : 1-800-442-1902
www.americanstandard.com

Au Canada :

LIXIL Canada, ULC
5900 Avebury Road
Mississauga (Ontario)
L5R 3M3 Canada

Sans frais : 1-800-387-0369
www.americanstandard.ca

Au Mexique :

American Standard B&K Mexico
S. de R.L. de C.V.
Via Morelos #330
Col. Santa Clara
Ecatepec 55540 Edo. Mexico

Sans frais : 01-800-839-1200
www.americanstandard.com.mx

VEUILLEZ RÉALISER LE PROCESSUS D'ENREGISTREMENT DE LA GARANTIE AMERICAN STANDARD ET ENREGISTRER CES RENSEIGNEMENTS SUR LA GARANTIE.

IMPORTANT : La toilette doit avoir été enregistrée pour que cette garantie entre en vigueur. L'enregistrement permettra de communiquer plus facilement avec vous en cas de rappel de produits.*

INSTRUCTIONS : Enregistrez votre toilette à la page www.americanstandard.com. Veuillez conserver votre preuve d'achat (ticket de caisse).

Si vous avez besoin d'aide ou vous n'avez pas accès à notre site Web, veuillez communiquer avec le service à la clientèle de American Standard au : 1-800-442-1902. Un représentant de American Standard vous aidera à enregistrer la garantie.

* En Californie, vos droits de garantie ne changent pas, même si vous ne procédez pas à l'enregistrement du produit.

CETTE GARANTIE NE PEUT ÊTRE TRANSFÉRÉE PAR L'ACHETEUR ORIGINAL DU PRODUIT.