

INSTALLATION INSTRUCTIONS CARE AND MAINTENANCE



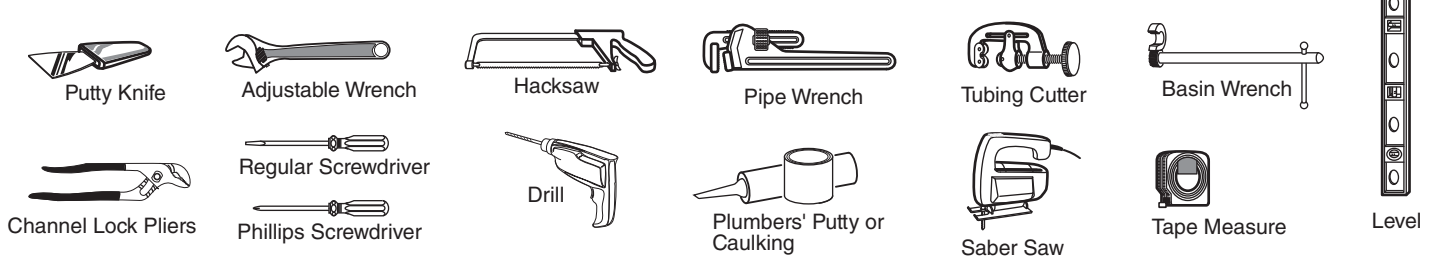
Town Square® S 0298 Series Washstand / Vanity Top

Thank you for selecting American Standard - the benchmark of fine quality for over 100 years. To ensure this product is installed properly, please read these instructions carefully before you begin. (Certain installations may require professional help.) Also be sure your installation conforms to local codes.

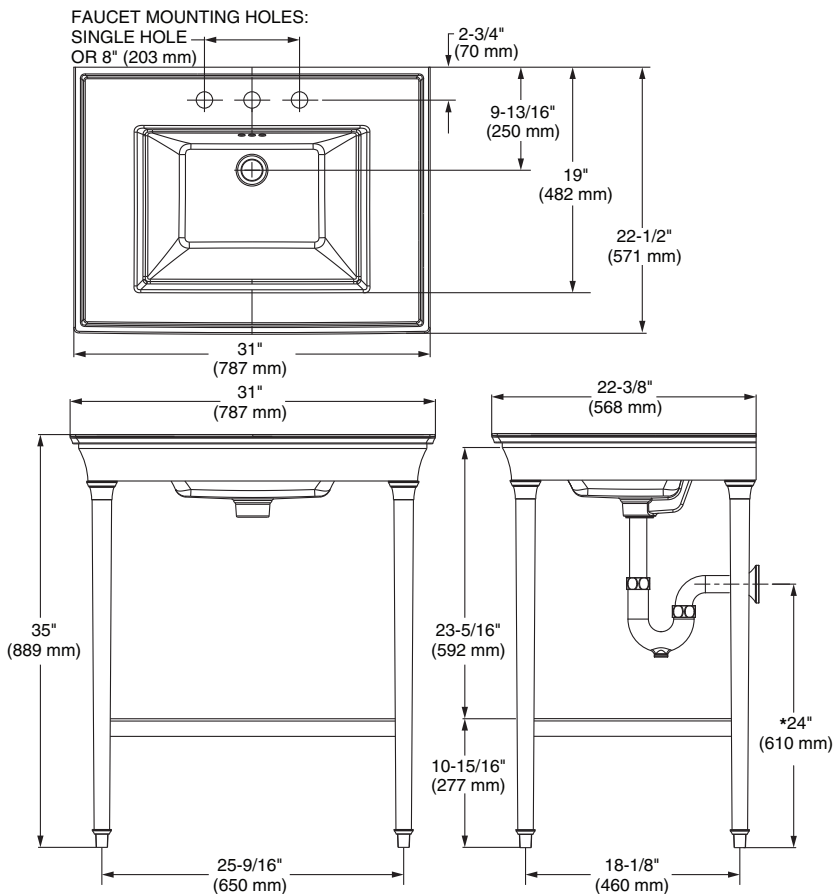
CAUTION: PRODUCT IS FRAGILE. TO AVOID BREAKAGE AND POSSIBLE INJURY HANDLE WITH CARE!
NOTE: Pictures may not exactly define contour of china and components.

OBSERVE LOCAL PLUMBING AND BUILDING CODES

Recommended Tools & Materials

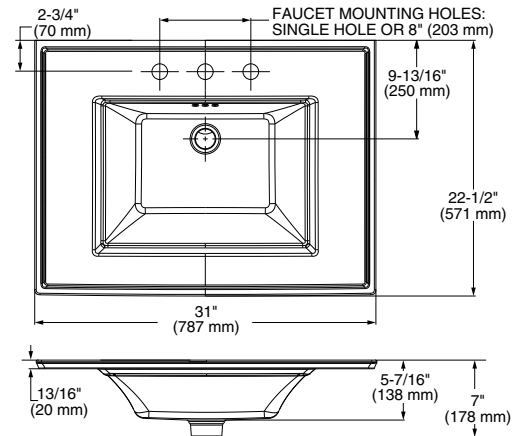


Town Square S Washstand Lavatory



9056030 Town Square S Washstand

Town Square S Vanity Top Lavatory



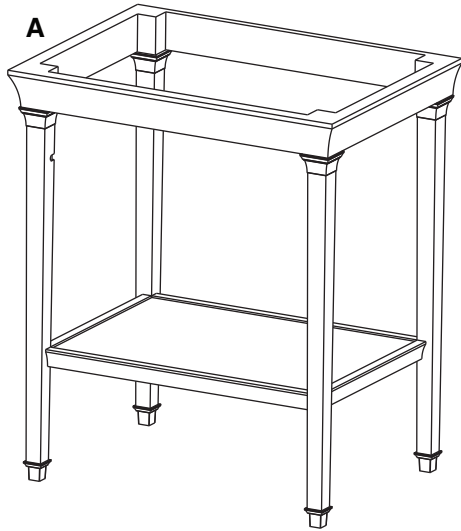
Product names listed herein are trademarks of AS America, Inc.
© AS America, Inc. 2018

7302365-100



7302365-100

SAVE FOR FUTURE USE



9056 WASHSTAND COMPONENTS LIST

ITEM #	QTY.	DESCRIPTION
A	1	WASHSTAND
B	1	GLASS SHELF
C	4	SCREWS



OPTIONAL TOWEL BAR PURCHASED SEPARATELY*
Part Number 3829000



NOTE: Washstand comes fully assembled. Only the *Towel Bar and Glass Shelf need to be assembled.

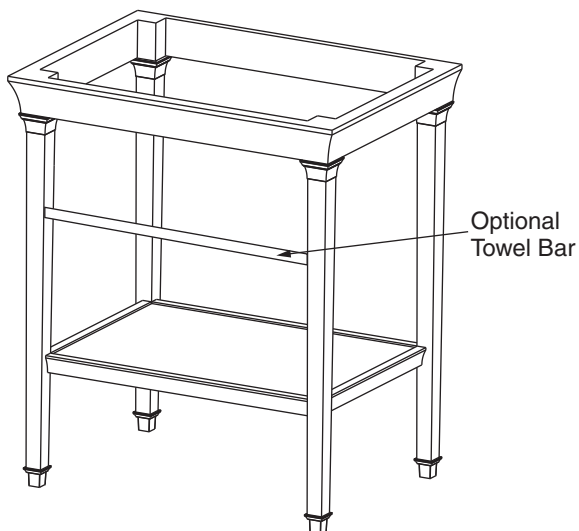
WASHSTAND ASSEMBLY

1 MOUNTING OPTIONAL TOWEL BAR:

Mount Towel Bar on the rear or back of the 2 front wooden legs of Washstand.

Rear of front wooden legs are cutout to allow metal towel bar mounting flange to fit flush into rear of legs.

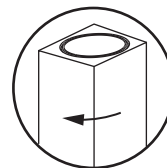
Attach Towel Bar using the 4 screws supplied.



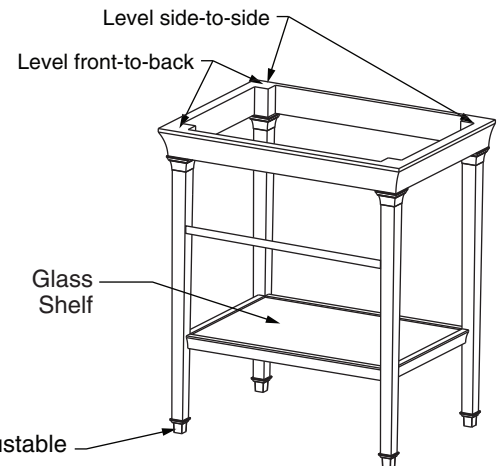
2 ADJUSTING LEVELING FEET:

Place Washstand assembly into approximate installation position.

Use a level and the four independently adjustable foot bumpers to ensure the Washstand is level both side-to-side and front-to-back.



Adjustable foot bumper



INSTALLING GLASS SHELF: Remove protective wrapping from the glass shelf. Glass shelf can be carefully installed by simply laying into a grooved area (the size of the glass shelf) on the lower wooden shelf area.

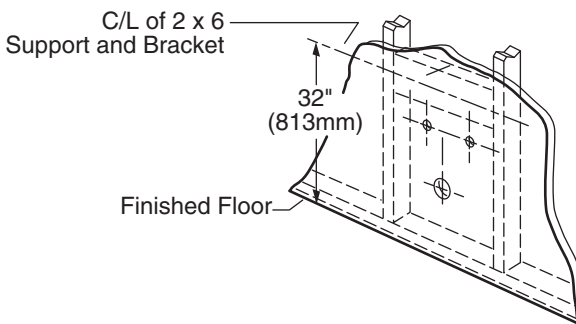
NOTE: The glass shelf should not be installed at this time until installation is complete.

WASHSTAND INSTALLATION

1 Wall Preparation for Washstand Installation

Provide suitable reinforcement behind finished wall for Washstand mounting screws.

Note: If replacing an existing sink be certain to shut off water supply prior to removing old sink.

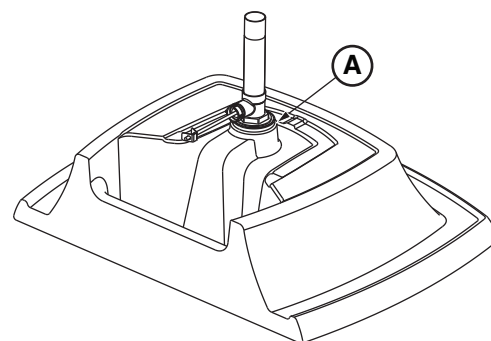


2 Town Square S Washstand Preparation

1. Place Washstand into approximate installation position near wall.
2. Place a level on the Washstand and check in two directions. Feet are adjustable.
3. Once level, drill at least two 3/8" diameter anchoring holes through the centerline of the rear stringer of the Washstand.
4. Attach Washstand to the reinforcement in the wall with 3/8" mounting screws not included.

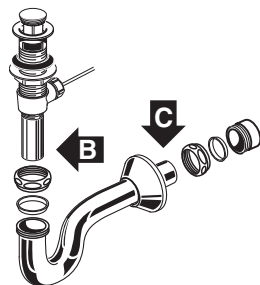
3 Faucet and Drain Installation

1. Following manufacturer's instructions, install faucet and drain assembly (not included).
2. Apply a bead of sealing putty on the underside of the drain (see detail A) in order to ensure a watertight seal between the sink and the drain. Remove excess putty after installing drain on sink.



4 Sink to Washstand Installation

1. Apply a bead of caulk or adhesive around all 4 sides of the top edge of the washstand where the sink will sit.
2. Place the sink onto the washstand and carefully over the trap assembly.
3. Clean up any adhesive that may run out.
4. Connect hot and cold supply lines between the fitting valve and the supply shut-off valves.
5. Connect the trap to the drain assembly and hand-tighten to check alignment. It may be necessary to cut off part of the tailpiece (see detail B) or part of the horizontal leg of the trap (see detail C).
6. Tighten trap joints for watertight assembly.



NOTE: Place glass shelf onto wooden support shelf once sink and Washstand installation are complete.

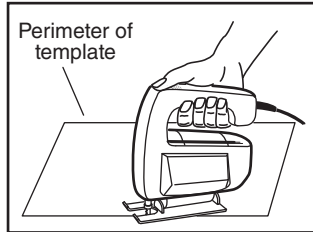
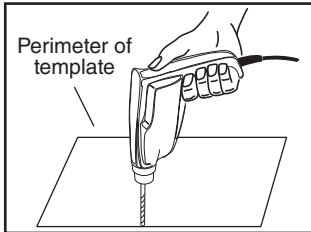
1**Vanity Top Installation:**

Using the template provided, locate the position of the sink on the above counter. Provide proper clearance under the countertop for the faucet supply lines, drain assembly and the structural parts of the cabinet.

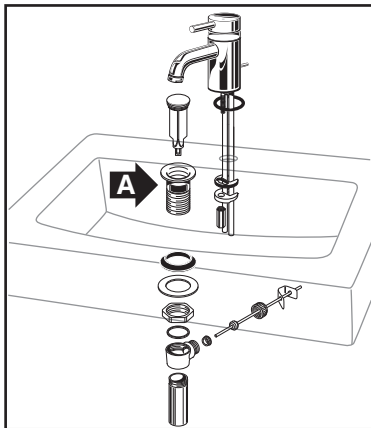
NOTE: If replacing an existing sink be certain to shut off water supply before removing old sink.

2

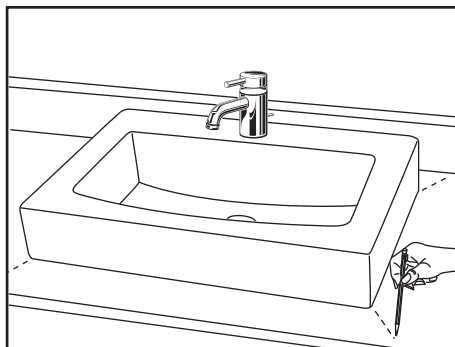
Drill a clearance hole inside the perimeter line of the template for above counter installation.



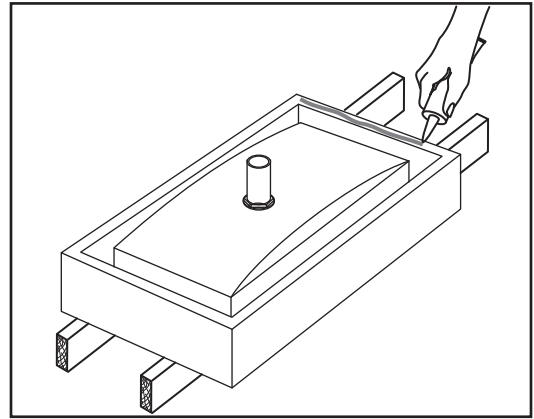
Cut opening around the perimeter of the template.

3

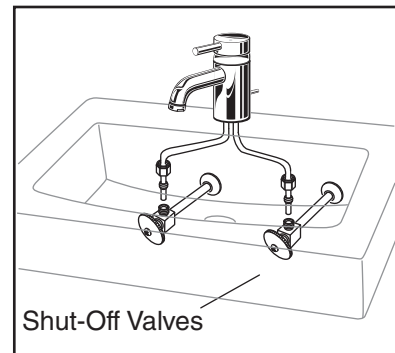
Mount the faucet and drain assembly (not included) on the sink following the manufacturer's instructions. Be certain to apply a bead of sealing putty on the underside of the drain (Part "A") in order to ensure a watertight seal between the sink and drain. Remove excess putty after installing drain on sink.

4**Vanity Top Installation:**

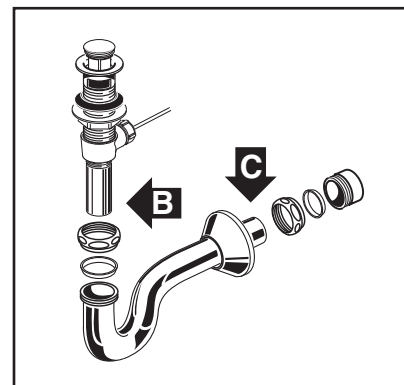
- Place the sink temporarily into the sink opening
- Check for alignment and clearance
- Mark the sink and countertop in several places as a guide for the final installation location.

5

After checking fit and alignment, turn sink upside down and apply a generous portion of silicone adhesive around the under side of the rim near the edge. Place sink in position. Wipe off excess adhesive.

6

Connect supply line to faucet (finger tight) and carefully bend tubes to engage with the supply shut-off valves. Tighten connections at faucet and shut-off valves for secure seal.

7

Connect trap to drain assembly hand tight to check alignment. It may be necessary to cut off part of the tailpiece (area "B") or part of the horizontal leg of the trap (area "C"). Secure joints for watertight assembly.

WASHSTAND CARE INSTRUCTIONS: Rinse the product clean with clear water. Dry with a soft cotton flannel cloth.
DO NOT: Clean with soaps, acid, polish, abrasives, harsh cleaners, or a cloth with coarse surface.

AS AMERICA, INC. BATHROOM FURNITURE LIMITED WARRANTY

If inspection of this AS America, Inc. ("American Standard®") plumbing product, within one year after its initial purchase, confirms that it is defective in materials or workmanship, American Standard will repair or, at its option, exchange the product for a similar model. Variations in actual wood color and finishes which may result from natural characteristics of the wood, such as grain patterns, mineral streaks and the like, are not defects and are not covered by this limited warranty.

This limited warranty applies only to the original purchaser and installation of these products. In the event of a claim, proof of purchase will be required – **save sales receipts**.

This limited warranty does not apply to local building code compliance. Since local building codes vary considerably, the purchaser of this product should check with a local building or plumbing contractor to ensure local code compliance before installation.

This limited warranty is void if the product has been moved from its initial place of installation; if it has been subjected to faulty maintenance, abuse, misuse, accident or other damages; if it was not installed in accordance with American Standard's instructions; or if it has been modified in a manner inconsistent with the product as shipped by American Standard.

American Standard's option to repair or exchange the product under this limited warranty does not cover any labor or other costs of removal or installation, nor shall American Standard be responsible for any other incidental or consequential damages attributable to a product defect or to the repair or exchange of a defective product, all of which are expressly excluded from this limited warranty. This limited warranty does not cover any liability for consequential or incidental damages, all of which are hereby expressly disclaimed, or the extension beyond the duration of this limited warranty or any implied limited warranties, including those of merchantability or fitness for an intended purpose. (Some states or provinces do not allow the exclusion or limitation of implied limited warranties, so this exclusion may not apply to you).

This limited warranty gives you specific legal rights. You may have other statutory rights that vary from state to state or province to province, in which case this limited warranty does not affect such statutory rights.

In the United States:

American Standard Brands
1 Centennial Ave.
Piscataway, New Jersey 08854
Attention: Director of Customer Care
For residents of the United States, warranty information may also be obtained by calling the following toll free number: (800) 442-1902
www.americanstandard.com

In Canada:

AS Canada, ULC
5900 Avebury Rd.
Mississauga, Ontario
Canada L5R 3M3
Toll Free: (800) 387-0369
www.americanstandard.ca

In Mexico:

American Standard B&K Mexico
S. de R.L. de C.V.
Via Morelos #330
Col. Santa Clara
Ecatepec 55540 Edo. Mexico
Toll Free: 01-800-839-1200
www.americanstandard.com.mx

AMERICAN STANDARD ONE-YEAR LIMITED WARRANTY

If inspection of this American Standard plumbing product, within one year after its initial purchase, confirms that it is defective in materials or workmanship, American Standard will repair or, at its option, exchange the product for a similar model.

This warranty **does not apply** to local building code compliance. Since local building codes vary considerably, the purchaser of this product should check with a local building or plumbing contractor to insure local code compliance before installation.

This warranty **shall be void** if the product has been moved from its initial place of installation; if it has been subjected to faulty maintenance, abuse, misuse, accident or other damage; if it was not installed in accordance with American Standard's instructions; or if it has been modified in a manner inconsistent with the product as shipped by American Standard.

American Standard's option to repair or exchange the product under this warranty does not cover any labor or other costs of removal or installation, **nor shall American Standard be responsible for any other incidental or consequential damages attributable to a product defect or to the repair or exchange of a defective product, all of which are expressly excluded from this warranty.** (Some states or provinces do not allow the exclusion or limitation of implied warranties, so this exclusion may not apply to you.)

This warranty gives you specific legal rights. You may have other statutory rights that vary from state to state or from province to province, in which case this warranty does not affect such statutory rights.

For service under this warranty, it is suggested that a claim be made through the contractor or dealer from or through whom the product was purchased, or that a service request (including a description of the product model and of the defect) be sent to the following address:

In the United States:

American Standard Brands
1 Centennial Ave.
Piscataway, New Jersey 08854
Attention: Director of Customer Care
For residents of the United States, warranty information may also be obtained by calling the following toll free number: (800) 442-1902
www.americanstandard.com

In Canada:

AS Canada, ULC
5900 Avebury Rd.
Mississauga, Ontario
Canada L5R 3M3
Toll Free: (800) 387-0369
www.americanstandard.ca

In Mexico:

American Standard B&K Mexico
S. de R.L. de C.V.
Via Morelos #330
Col. Santa Clara
Ecatepec 55540 Edo. Mexico
Toll Free: 01-800-839-1200
www.americanstandard.com.mx