



AMERICAN STANDARD 31 x 20 STAINLESS STEEL KITCHEN SINK

18 GAUGE STAINLESS STEEL

AMERICAN STANDARD 31 x 20 STAINLESS STEEL KITCHEN SINK

- ❑ **18CR.9312000T.075** 60/40 Double Bowl
 - 18 Gauge Stainless Steel
 - Bottom Sound Deadening Pads with undercoating
 - Large bowl/small bowl combination sink
 - Cutout template and instructions included
 - Undermount installation
 - Includes (2) 9028000.075 waste fittings
 - 36" (914mm) cabinet required
 - Limited Lifetime Warranty



Nominal Dimensions:

31" x 20" x 9" / 7-1/2"
(787 x 508 x 229mm / 190mm)

Large Bowl Size:

15-5/16" (389mm) wide
18" (458mm) front to back
9" (229mm) deep

Small Bowl Size:

12-9/16" (319mm) wide
15-15/16" (404mm) front to back
7-1/2" (190mm) deep

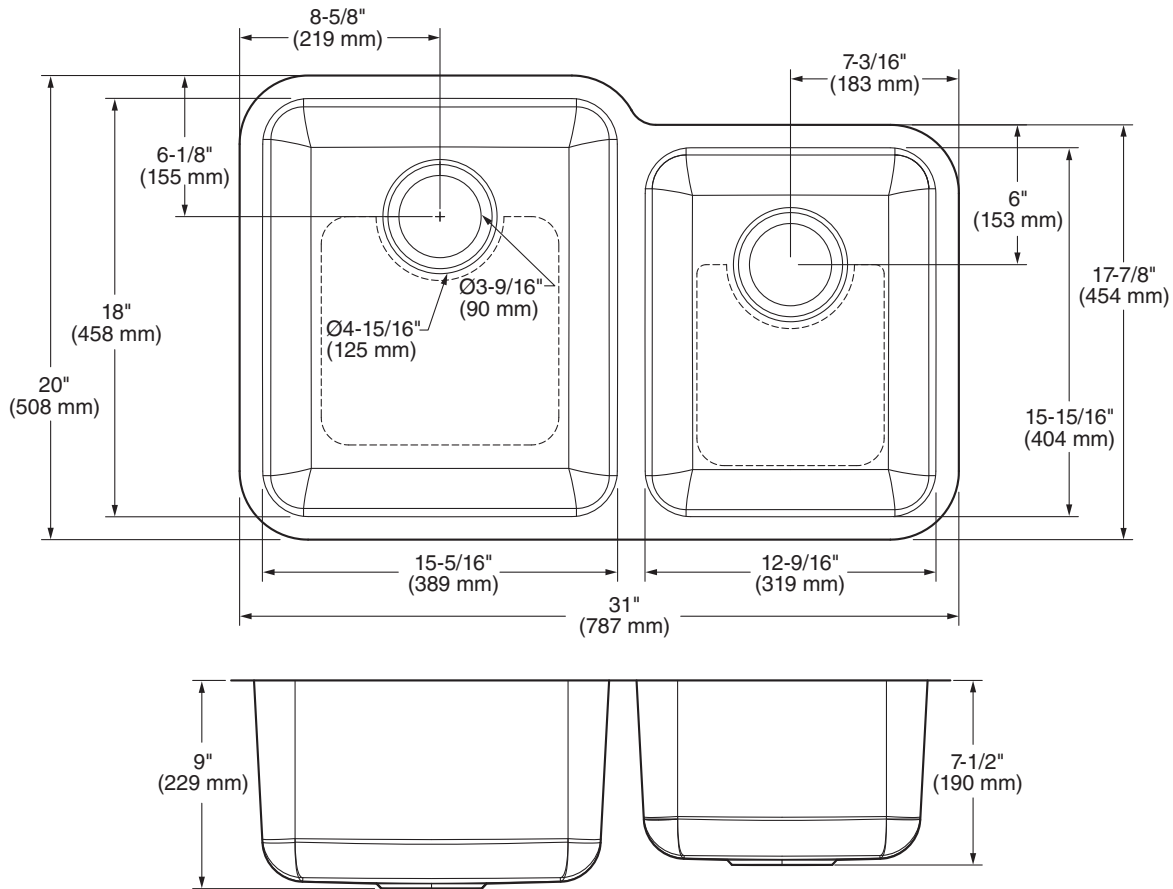
SEE REVERSE FOR ROUGHING-IN DIMENSIONS
AND PRODUCT SPECIFICATIONS

Compliance Certifications - Meets or Exceeds the Following Specifications:

- ASME A112.19.3

To Be Specified:

- ❑ Color: Stainless Steel .075
- ❑ 7433000.075: 2-pack Stainless Steel Sink Grids



NOTES:

* DIMENSIONS SHOWN FOR LOCATION OF SUPPLIED AND "P" TRAP ARE SUGGESTED.
FITTINGS NOT INCLUDED WITH FIXTURE AND MUST BE ORDERED SEPARATELY.
SEALING COMPOUND SUPPLIED BY OTHERS.

IMPORTANT: Dimensions of fixtures are nominal and may vary within the range of tolerances established by ANSI Standard A112.19.3. These measurements are subject to change or cancellation. No responsibility is assumed for use of superseded or voided pages.