

INSTALLATION INSTRUCTIONS CARE AND MAINTENANCE

*American
Standard*

AMERICAN STANDARD FURNITURE FOR TOWNSEND SINKS

Thank you for selecting American Standard - the benchmark of fine quality for over 100 years. To ensure this product is installed properly, please read these instructions carefully before you begin. (Certain installations may require professional help.) Also be sure your installation conforms to local codes.

To maintain the beauty of the finish, avoid placing the furniture in direct sunlight, as sunlight causes fading. Also avoid extreme changes in temperature by arranging furniture away from radiators, heat and air vents, and air conditioning units. Avoid placing furniture directly under windows.

Recommended Tools & Materials



Level



Pencil



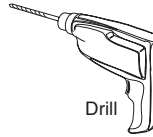
Tape Measure



Safety Glasses



Siliconized
Acrylic Caulk



Drill



Phillips
Screwdriver



Regular
Screwdriver

PLUS:

- Wood Screws
- Framing Nails
- 2x4 or 2x6 Wood

Townsend Sinks (separate purchase required)

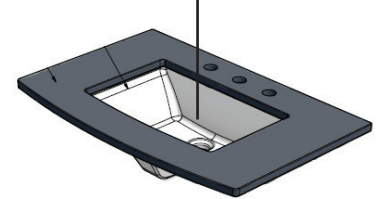
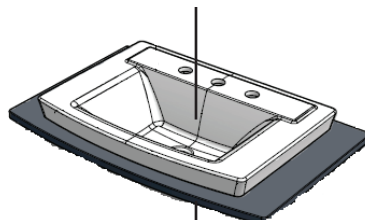
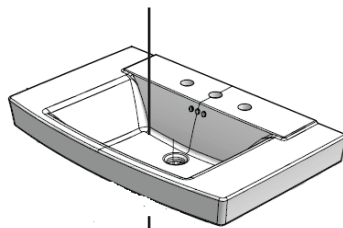
0328 series

or

0329 series

or

0330 series



Quartz Tops (separate purchase - required)

7840.000 series

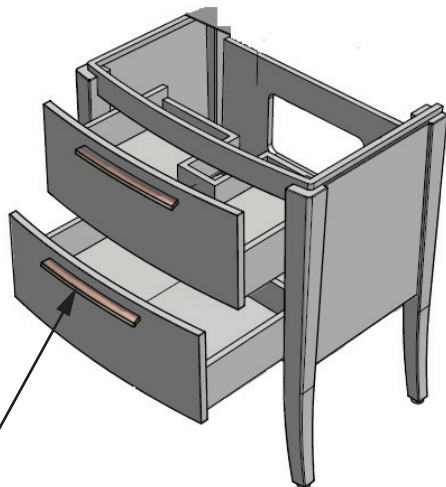
or

7840.800

Attaches to top of furniture:

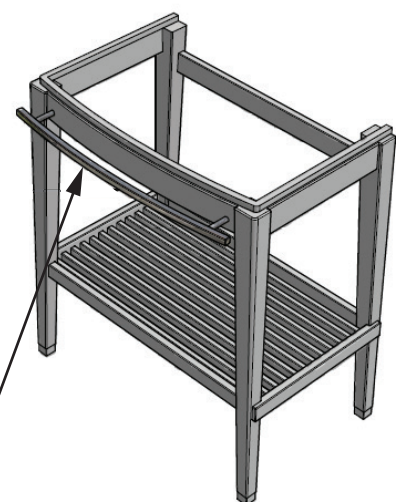
Vanity

9036.030.020 or 9036.030.475
(includes four leveling foot pads)



Washstand

9039.030.020 or 9039.030.475
(includes four leveling foot pads)



Drawer Pull Set of Two (separate purchase - required)
7760.000.002 or 7760.000.295
(includes four attachment screws)

Towel bar (separate purchase - required)
3749.000.002 or 3749.000.295
(includes two attachment screws)

Faucet and drain sold separately

SAVE FOR FUTURE USE



770250-100

Product names listed herein are trademarks of AS America, Inc.
© AS America, Inc. 2017

770250-100

BEFORE YOU BEGIN:

Furniture must be used with Townsend based sinks and quartz tops shown on first page. Other sinks and tops are not compatible with the furniture.

CAUTION: Risk of product damage. Siliconized acrylic caulk must be used to secure the furniture top to the furniture. Do not use 100% silicone sealant as it could damage the furniture finish.

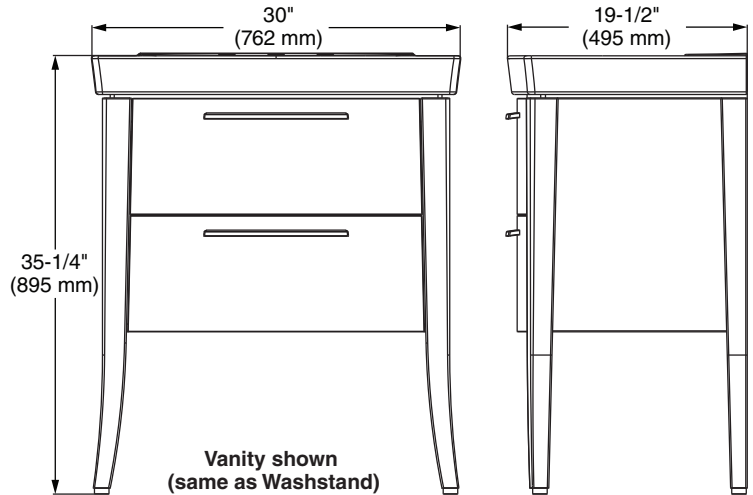
Prior to installation, unpack the furniture and associated accessories and inspect them for damage. Return the product to the protective carton until you are ready to install it.

Refer to the appropriate sink, faucet, and drain documents for installation details. This document is specifically for the furniture installation only.

The furniture is designed to allow base moldings to pass behind them. However, any moldings that may inhibit the furniture from being flush against the wall should be notched accordingly.

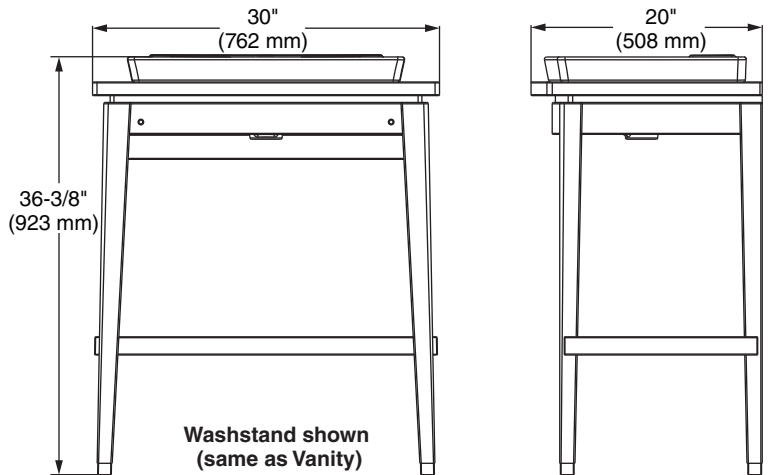
American Standard Furniture Rough-In Dimensions (see sink rough-ins for faucet and drain details)

Nominal Dimensions: 9036.030 Vanity or 9039.030 Washstand
with 0328 Series Townsend Pedestal Sinks



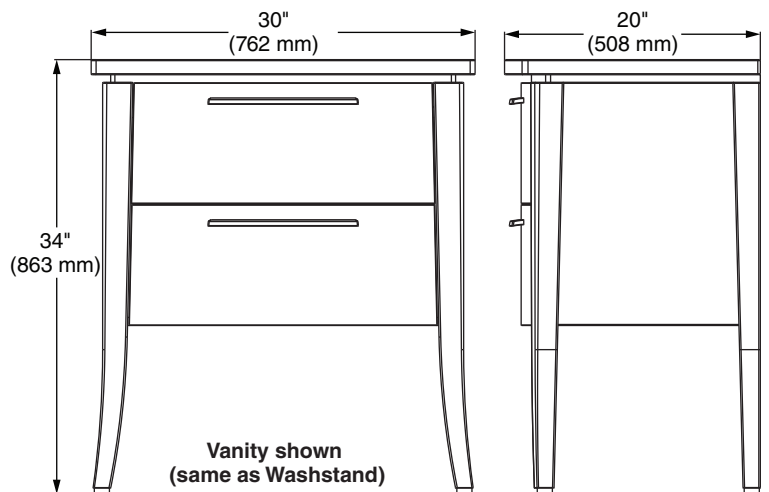
American Standard Furniture Rough-In Dimensions (see sink rough-ins for faucet and drain details)

Nominal Dimensions: 9036.030 Vanity or 9039.030 Washstand
with 0329 Series Townsend Above Counter Sinks and 7840.000.820 Quartz Top



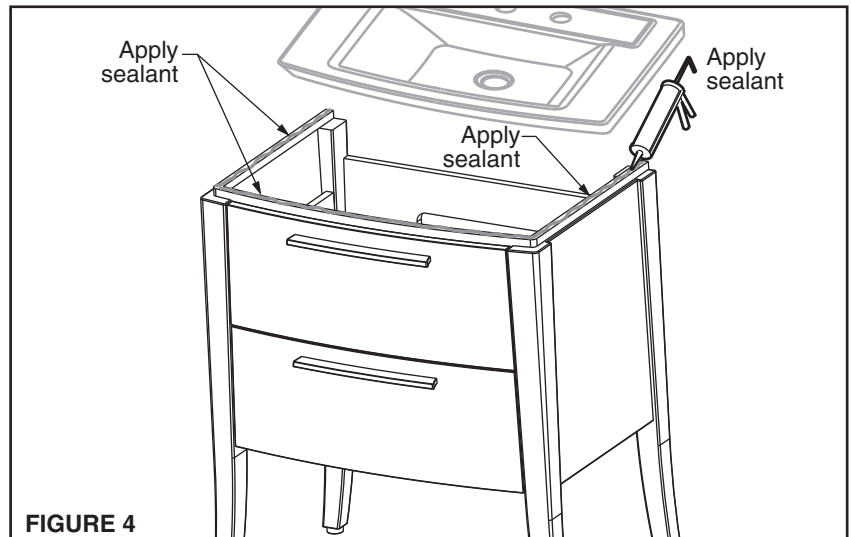
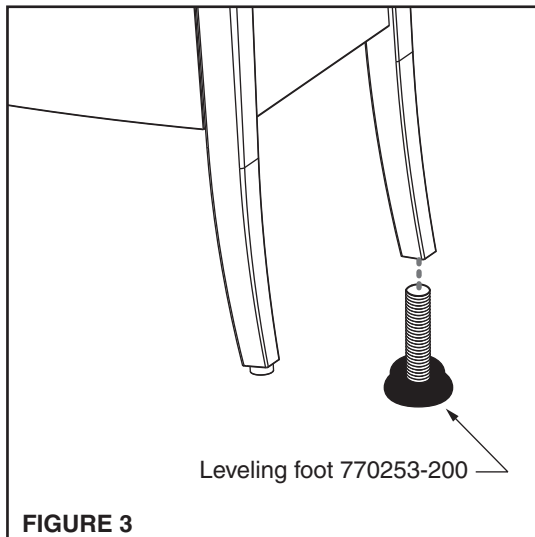
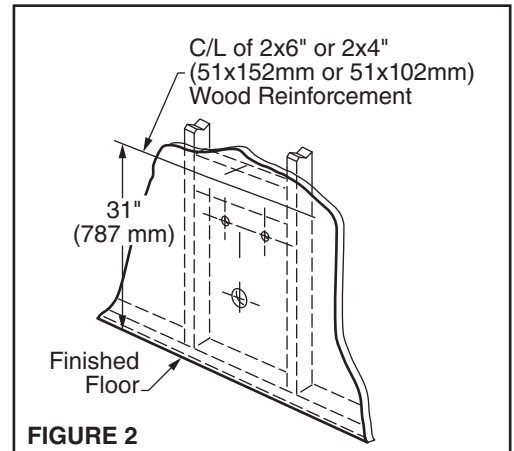
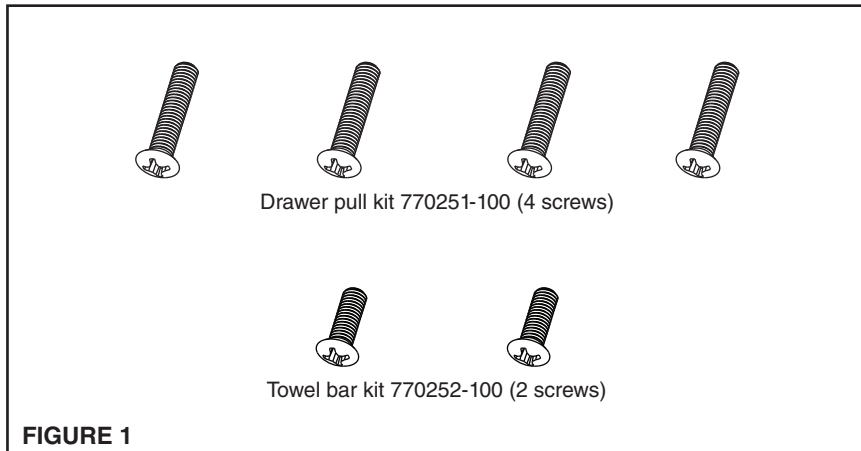
American Standard Furniture Rough-In Dimensions (see sink rough-ins for faucet and drain details)

Nominal Dimensions: 9036.030 Vanity or 9039.030 Washstand
with 0330.000 Townsend Under Counter Sinks and 7840.800.820 Quartz Top



FURNITURE INSTALLATION STEPS:

1. Assemble two drawer pulls to vanity using supplied M5 x 25 screw mounting kit 770251-100 or assemble towel bar to washstand using supplied M8 x 25 screw mounting kit 770252-200 (Figure 1). Note that the drawer pulls and towel bar are required accessories that are purchased separate from the furniture itself.
2. Prepare the wall to safely secure the furniture in place. Provide suitable reinforcement behind the finished wall. Centerline of reinforcement should be 31" (787mm) from the floor (Figure 2).
3. Level furniture by adjusting each of the four 770253-200 leveling feet (Figure 3). Four leveling feet are included with the furniture purchase.
Drill at least two 3/8" (10mm) diameter anchoring holes through the centerline of the rear stringer of the furniture and attach furniture to wall with wood screws not included with furniture. Per step 2 detail, the screws shall be inserted into suitable reinforcement within the wall. Anchor the furniture to the wall through at least two of the anchoring holes in the rear of the furniture.
4. Install the Townsend sink top to the furniture. Refer to the appropriate sink installation instructions for sink details. Note that one of the top options shown on the previous pages are required and are purchased separate from the furniture itself.
5. Apply a 1/8" (3mm) thick bead of water-based caulk around the top edge of the furniture (Figure 4) and place top on furniture. Refer to the first page regarding caulk type. Allow caulk to dry before proceeding.
6. Purchase and install the appropriate faucet and drain according to the manufacturer's instructions.



RECOMMENDED CARE AND CLEANING OF AMERICAN STANDARD FURNITURE:

1. Clean the furniture and quartz tops using soft, slightly damp cloth. Buff the product by using a soft dry cloth.
2. Avoid using silicone cleaners and waxes. Clean up excess water and spills immediately and use a blotting rather than a wiping action. Water left over a long period of time will cause white spots in the finish.
3. **NOTE:** Some chemicals may damage the product finishes. Take care to avoid the following: iodine, hair dye, after shave lotion, shaving cream, alcohol, perfume, Lestoil®, Lysol Tub and Tile Cleaner®, Lysol Spray Disinfectant®, Dow Disinfectant®, acetone, paint remover, Formula 409®, Tile-X® and Nair®.

AS AMERICA, INC. BATHROOM FURNITURE LIMITED WARRANTY

If inspection of this AS America, Inc. ("American Standard®") plumbing product, within one year after its initial purchase, confirms that it is defective in materials or workmanship, American Standard will repair or, at its option, exchange the product for a similar model. Variations in actual wood color and finishes which may result from natural characteristics of the wood, such as grain patterns, mineral streaks and the like, are not defects and are not covered by this limited warranty.

This limited warranty applies only to the original purchaser and installation of these products. In the event of a claim, proof of purchase will be required – **save sales receipts**.

This limited warranty does not apply to local building code compliance. Since local building codes vary considerably, the purchaser of this product should check with a local building or plumbing contractor to ensure local code compliance before installation.

This limited warranty is void if the product has been moved from its initial place of installation; if it has been subjected to faulty maintenance, abuse, misuse, accident or other damages; if it was not installed in accordance with American Standard's instructions; or if it has been modified in a manner inconsistent with the product as shipped by American Standard.

American Standard's option to repair or exchange the product under this limited warranty does not cover any labor or other costs of removal or installation, nor shall American Standard be responsible for any other incidental or consequential damages attributable to a product defect or to the repair or exchange of a defective product, all of which are expressly excluded from this limited warranty. This limited warranty does not cover any liability for consequential or incidental damages, all of which are hereby expressly disclaimed, or the extension beyond the duration of this limited warranty or any implied limited warranties, including those of merchantability or fitness for an intended purpose. (Some states or provinces do not allow the exclusion or limitation of implied limited warranties, so this exclusion may not apply to you).

This limited warranty gives you specific legal rights. You may have other statutory rights that vary from state to state or province to province, in which case this limited warranty does not affect such statutory rights.

In the United States:

American Standard Brands
1 Centennial Ave.
Piscataway, New Jersey 08854
Attention: Director of Customer Care
For residents of the United States, warranty information may also be obtained by calling the following toll free number: (800) 442-1902
www.americanstandard.com

In Canada:

AS Canada, ULC
5900 Avebury Rd.
Mississauga, Ontario
Canada L5R 3M3
Toll Free: (800) 387-0369
www.americanstandard.ca

In Mexico:

American Standard B&K Mexico
S. de R.L. de C.V.
Via Morelos #330
Col. Santa Clara
Ecatepec 55540 Edo. Mexico
Toll Free: 01-800-839-1200
www.americanstandard.com.mx

AS AMERICA, INC. QUARTZ TOP LIMITED WARRANTY

If inspection of this AS America, Inc. ("American Standard") plumbing product, within one year after its initial purchase, confirms that it is defective in materials or workmanship, American Standard will repair or, at its option, exchange the product for a similar model. Variations in shading, veining, and texture which may result from natural characteristics of stone and as such are not defects and are not covered by this limited warranty.

This limited warranty applies only to the original purchaser and installation of these products. In the event of a claim, proof of purchase will be required; save your receipt.

This limited warranty does not apply to local building code compliance. Since local building codes vary considerably, the purchaser of this product should check with a local building or plumbing contractor to insure local code compliance before installation.

This limited warranty is void if the product has been moved from its initial place of installation; if it has been subjected to faulty maintenance, abuse, misuse, accident or other damages; if it was not installed in accordance with American Standard's instructions; or if it has been modified in a manner inconsistent with the product as shipped by American Standard.

American Standard's option to repair or exchange the product under this limited warranty does not cover any labor or other costs of removal or installation, nor shall American Standard be responsible for any other incidental or consequential damages attributable to a product defect or to the repair or exchange of a defective product, all of which are expressly excluded from this limited warranty. This limited warranty does not cover any liability for consequential or incidental damages, all of which are hereby expressly disclaimed, or the extension beyond the duration of this limited warranty of any implied limited warranties, including those of merchantability or fitness for an intended purpose. (Some states or provinces do not allow the exclusion or limitation of implied limited warranties, so this exclusion may not apply to you).

This limited warranty gives you specific legal rights. You may have other statutory rights that vary from state to state or province to province, in which case this limited warranty does not affect such statutory rights.

In the United States:

American Standard Brands
1 Centennial Ave.
Piscataway, New Jersey 08854
Attention: Director of Customer Care
For residents of the United States, warranty information may also be obtained by calling the following toll free number: (800) 442-1902
www.americanstandard.com

In Canada:

AS Canada, ULC
5900 Avebury Rd.
Mississauga, Ontario
Canada L5R 3M3
Toll Free: (800) 387-0369
www.americanstandard.ca

In Mexico:

American Standard B&K Mexico
S. de R.L. de C.V.
Via Morelos #330
Col. Santa Clara
Ecatepec 55540 Edo. Mexico
Toll Free: 01-800-839-1200
www.americanstandard.com.mx