

INSTALLATION INSTRUCTIONS CARE AND MAINTENANCE

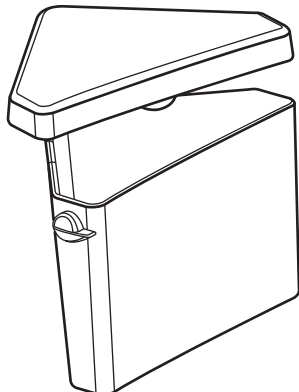
*American
Standard*

Triangle Cadet® PRO 2-piece Toilet Elongated and Round Front Models 216AD, 216BD Series

Thank you for selecting American Standard - the benchmark of fine quality for over 100 years. To ensure this product is installed properly, please read these instructions carefully before you begin. (Certain installations may require professional help.) Also be sure your installation conforms to local codes.

⚠ CAUTION: PRODUCT IS FRAGILE. TO AVOID BREAKAGE AND POSSIBLE INJURY HANDLE WITH CARE!
NOTE: Pictures may not exactly define contour of china and components.

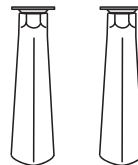
TANK 4189D



EZ-INSTALL KIT INCLUDED WITH TANK



Tank To Bowl Gasket



Attachment Handles with Nuts (2)

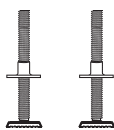


Plastic Washers (2)

BOWL 3517A ELONGATED BOWL 3517B ROUND FRONT



EZ-INSTALL KIT INCLUDED WITH BOWL



T-Bolts with Retainer (2)



Bolt Caps (2)

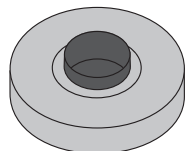


Bowl-To-Floor Knobs (2)

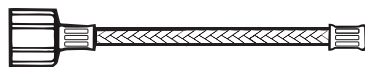
Also includes Standard Bolt Caps (2)



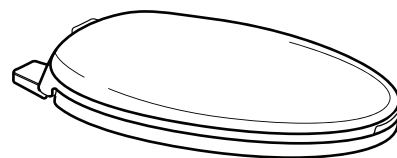
SOLD SEPARATELY



Wax Ring



Water Supply Line



Slow Close Toilet Seat

S
A
V
E
F
O
R
F
U
T
U
R
E
U
S
E



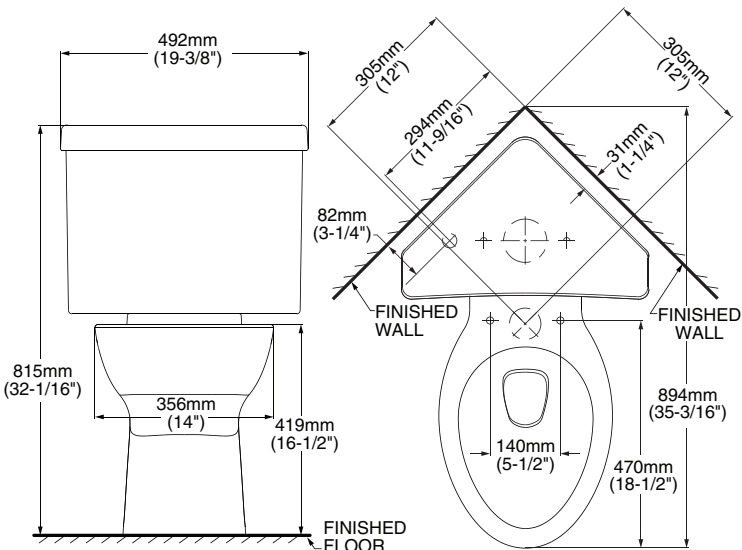
7301948-100

Product names listed herein are trademarks of AS America, Inc.
© AS America, Inc. 2013

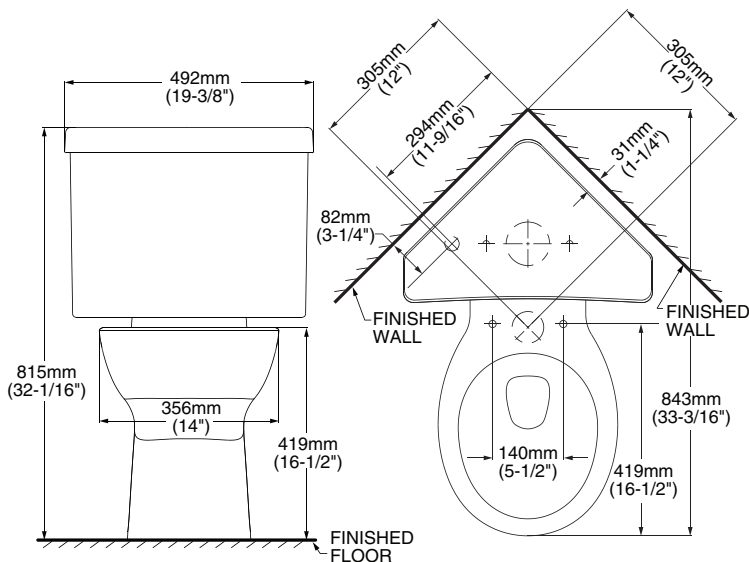
7301948-100

ROUGHING-IN DIMENSIONS: NOTE: Distance from wall to closet flange centerline must be as shown below.

Elongated Model 216AD Series



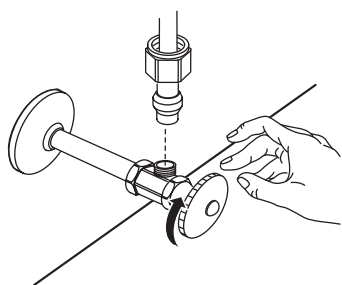
Round Front Model 216BD Series



Before You Start:

If Removing An Existing Toilet

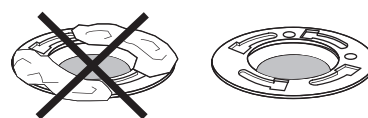
Turn Off Water Supply



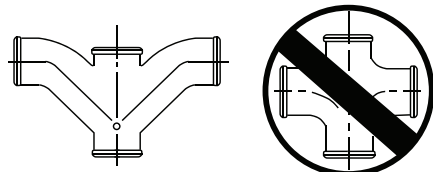
Flush to remove water from tank; sponge remaining water from bowl before removing toilet.



Clean Flange



⚠ Caution: If leaving floor flange open for more than 1-2 hours, cover flange to prevent escaping sewer gases.

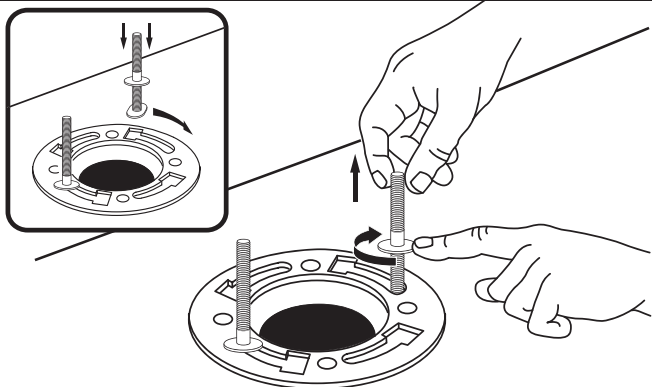


Recommended fitting type for back-to-back installations.

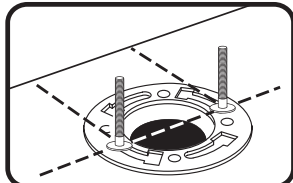
BACK-TO-BACK INSTALLATION

Depending upon your plumbing and venting conditions, the flow from the Cadet® PRO in a back-to-back installation may create a vacuum on the system and draw water from the opposing bowl. The National Standards Plumbing Code prohibits the use of a cross fitting for drainage as throw over is possible. The code does approve a directional "Y" style fitting with proper venting to direct the water downward and away from the other toilet.

1

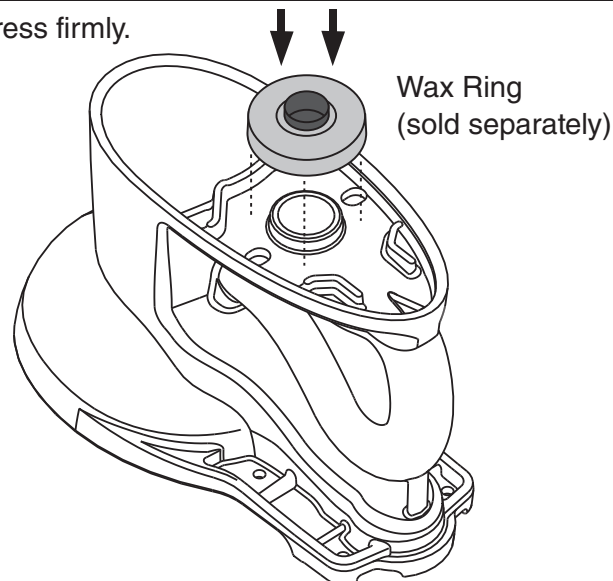


NOTE: 1/4" EZ-BOLTS INCLUDED. IF 5/16" BOLTS ARE REQUIRED, PURCHASE SEPARATELY.



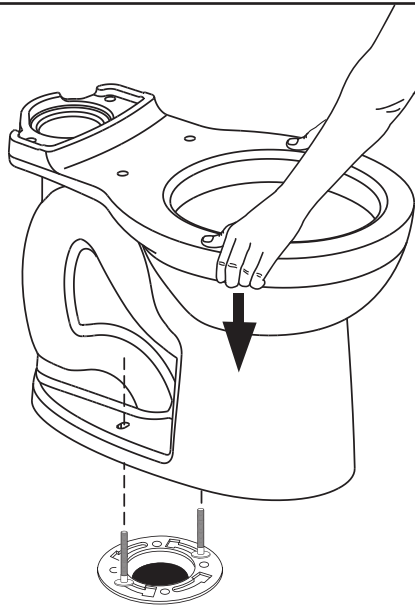
2

Press firmly.



3

Apply weight evenly.
Do not move after
placement. Water
tight seal may break.

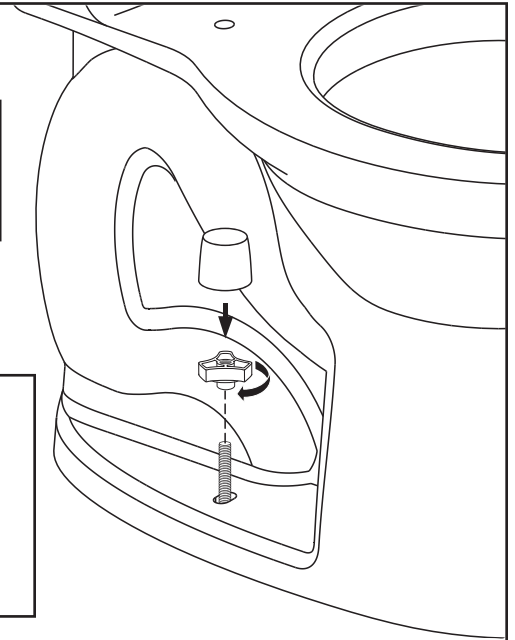


4

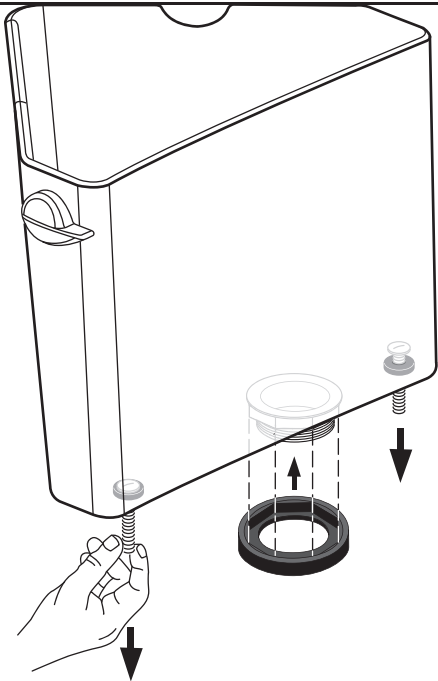
! Hand tighten
only. Do not
overtighten.

NOTE: 1/4" EZ-BOLT
AND CAP SHOWN.

IF 5/16" BOLT USE
STANDARD DISK AND
CAP INCLUDED.



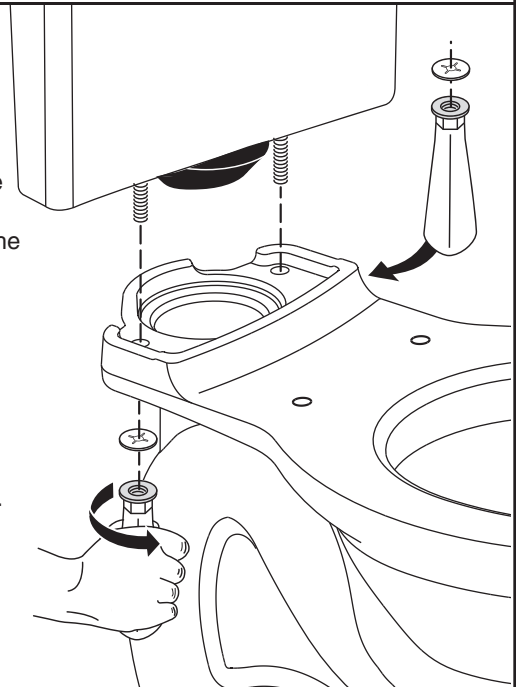
5



6

Tighten handles
alternately until the
tank contacts the
front and back of the
bowl achieving
china-to-china
contact.

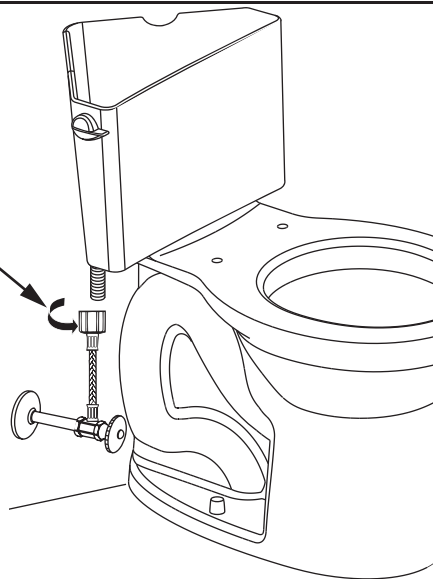
NOTE: To ease
installation, push
down on the top of
the tank while
tightening handles.



7

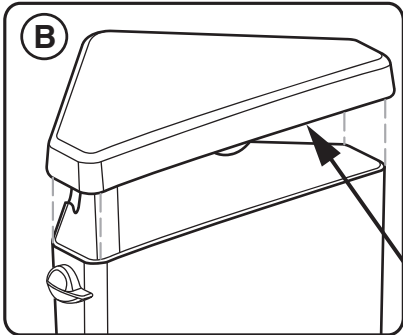
A
Connect water
supply line.
(Sold separately)
Hand tighten nut.

B
Turn on water supply.

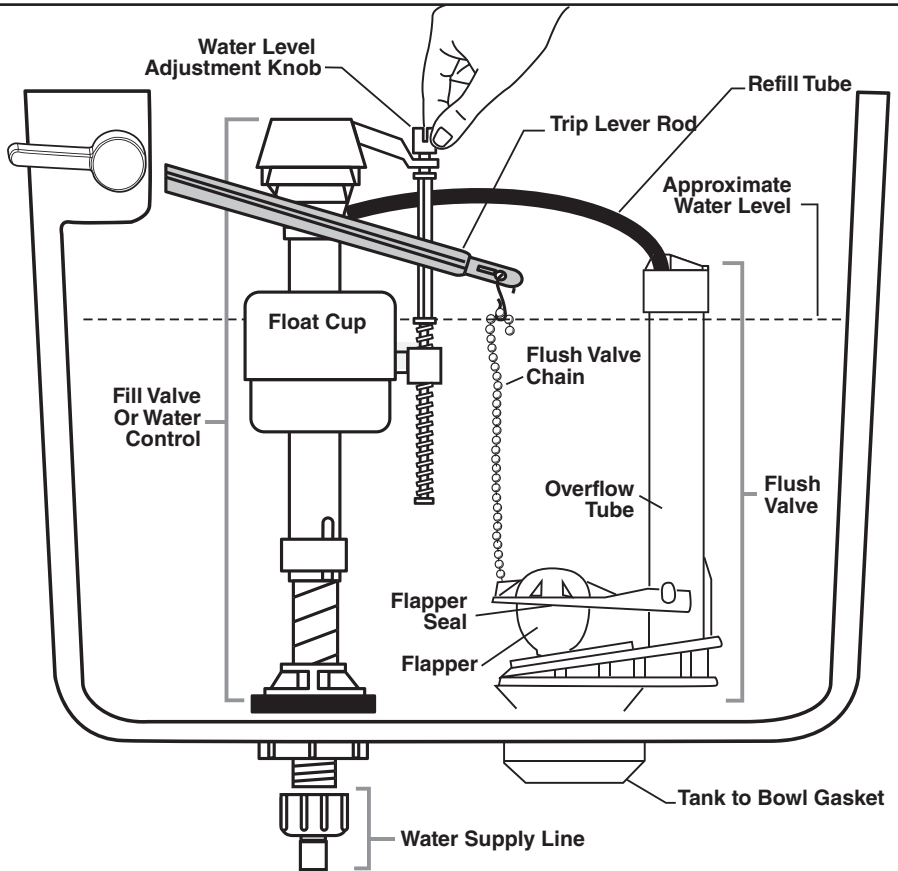


! **WARNING:** Overtightening of
water supply line nuts could
result in breakage and potential
flooding. If the connection leaks
after hand tightening, replace
the supply line. Do not use any
type of sealant on the water
supply connection. Use of
plumber's putty, pipe dope, or
any other type of sealant will
void the warranty.

A
Adjust water level to level indicated on tank by turning water level adjustment knob to move float cup up or down.



REPAIR PARTS LABEL LOCATED UNDERTANK LID.



CARE AND CLEANING

When cleaning your toilet, wash it with mild, soapy water, rinse thoroughly with clear water and dry with a soft cloth.

WARNING: Do not use in-tank cleaners. These products can seriously corrode fittings in the tank. This damage can cause leakage and property damage. American Standard shall not be responsible or liable for any damage caused by the use of in-tank cleaners.

TROUBLESHOOTING GUIDE - See Step 8 For Diagram

Problem	Possible Cause	Corrective Action
Does not flush	<ul style="list-style-type: none"> a. Water supply valve closed. b. Supply line blocked. c. Flush valve chain too loose or disconnected. d. Sand or debris lodged in water control. 	<ul style="list-style-type: none"> a. Open valve and allow water to fill tank. b. Shut off water supply, disconnect supply line and inspect all gaskets and washers. Reassemble. c. Readjust chain length as required. d. Shut off water supply. Remove cap and clean as per Fluidmaster maintenance instructions at: www.americanstandard-us.com/enews/fluidmasterguide.pdf
Poor or sluggish flush	<ul style="list-style-type: none"> a. Bowl water level too low. b. Supply valve partly closed. c. Partially clogged trapway and/or drain pipe and/or vent. d. Supply pressure too low. 	<ul style="list-style-type: none"> a. Check that refill tube is connected to water control and inserted into overflow tube without being kinked or damaged. b. Open supply valve fully. Be sure that proper supply tube size is used. c. Remove obstruction. Consult a plumber if necessary. d. Normal supply pressure must be at least 20 psi.
Toilet leaks	<ul style="list-style-type: none"> a. Poor supply line connection. b. Poor bowl to tank/floor connection. 	<ul style="list-style-type: none"> a. Review Step 7 of installation procedure. b. Review Step 1 through 6 of installation procedure.
Toilet does not shut off	<ul style="list-style-type: none"> a. Flapper seal leaking or deformed. b. Sand or debris lodged in water control. c. Flush valve chain too tight, holding flapper open. 	<ul style="list-style-type: none"> a. Clean debris from seal surface. Replace flapper seal as needed. See web for more info. b. Shut off water supply. Remove cap and clean as per Fluidmaster maintenance instructions at: www.americanstandard-us.com/enews/fluidmasterguide.pdf c. Readjust chain length as needed.
Toilet bowl rocks after installation	<ul style="list-style-type: none"> a. Wax ring not fully compressed. b. Floor not level. 	<ul style="list-style-type: none"> a. Retighten bowl-to-floor knobs. b. Use toilet shims and /or place a bead of caulk around the base of the toilet.

FOR REPAIR PARTS LIST, SEE LABEL UNDER TANK LID.

In the United States:
American Standard Brands
P.O. Box 6820
Piscataway, New Jersey 08855
Attention: Director of Customer Care
For residents of the United States, warranty information may also be obtained by calling the following toll free number: (800) 442-1902
www.americanstandard.com

In Canada:
AS Canada, ULC
5900 Avebury Rd.
Mississauga, Ontario
Canada L5R 3M3
Toll Free: (800) 387-0369
www.americanstandard.ca

In Mexico:
American Standard B&K Mexico
S. de R.L. de C.V.
Via Morelos #330
Col. Santa Clara
Ecatepec 55540 Edo. Mexico
Toll Free: 01-800-839-1200
www.americanstandard.com.mx