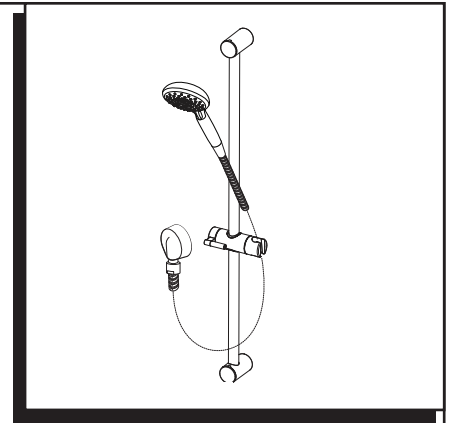


SPECTRA+ HANDHELD™ KIT
Adjustable Personal
Hand Shower Bar
For all Models

*Thank you for selecting American Standard...
the benchmark of fine quality for over 100 years.*

**To ensure that your installation proceeds smoothly-please read
these instructions carefully before you begin.**



Certified to comply with ANSI A112.18.1M

RECOMMENDED TOOLS AND MATERIALS

Most of the procedures require the use of common tools and materials, which are available from hardware and plumbing supply stores. It is essential that the tools and materials be on hand before work is begun.



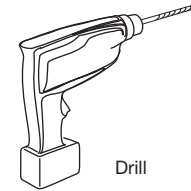
Tape Measure



Flat Blade Screwdriver



Level



Drill

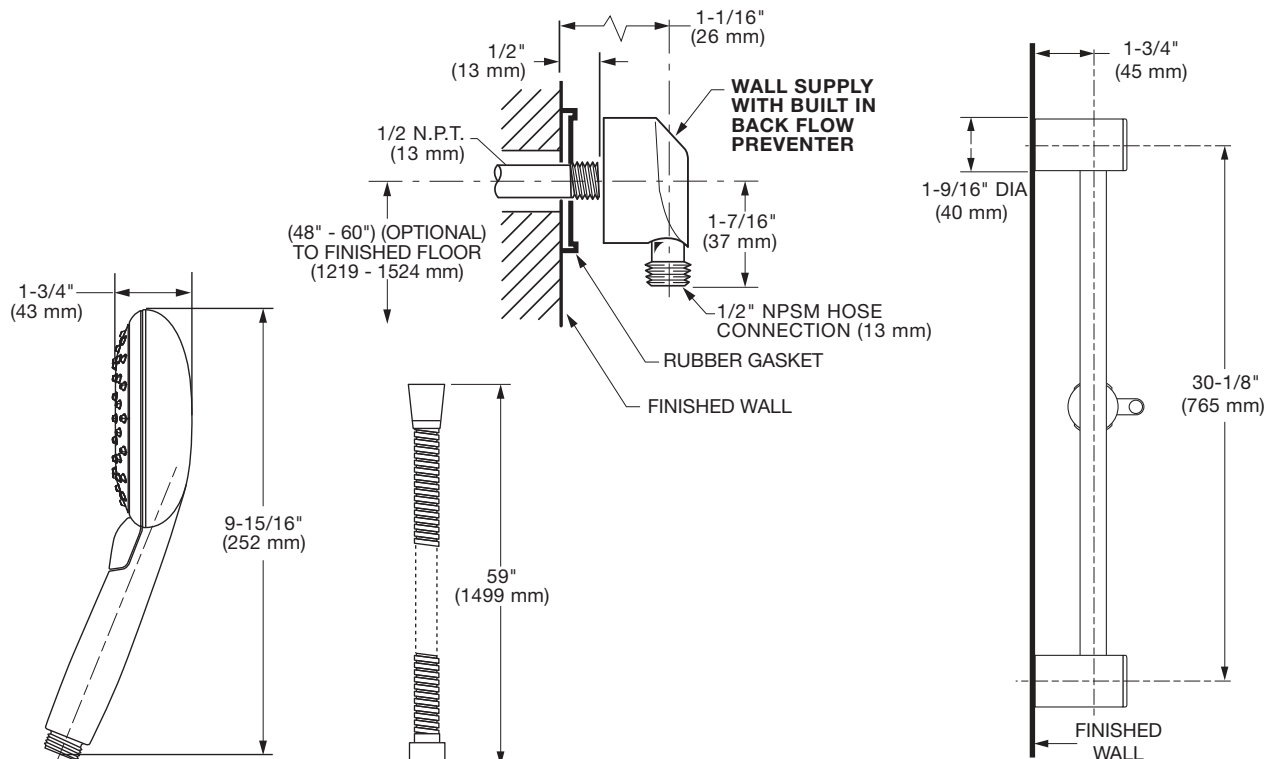
CARE AND CLEANING

Do: Simply rinse the product clean with clear water, dry with a soft cotton flannel cloth.

Do Not: Clean the product with soaps, acid, polish, abrasives, harsh cleaners, or a cloth with a coarse surface.

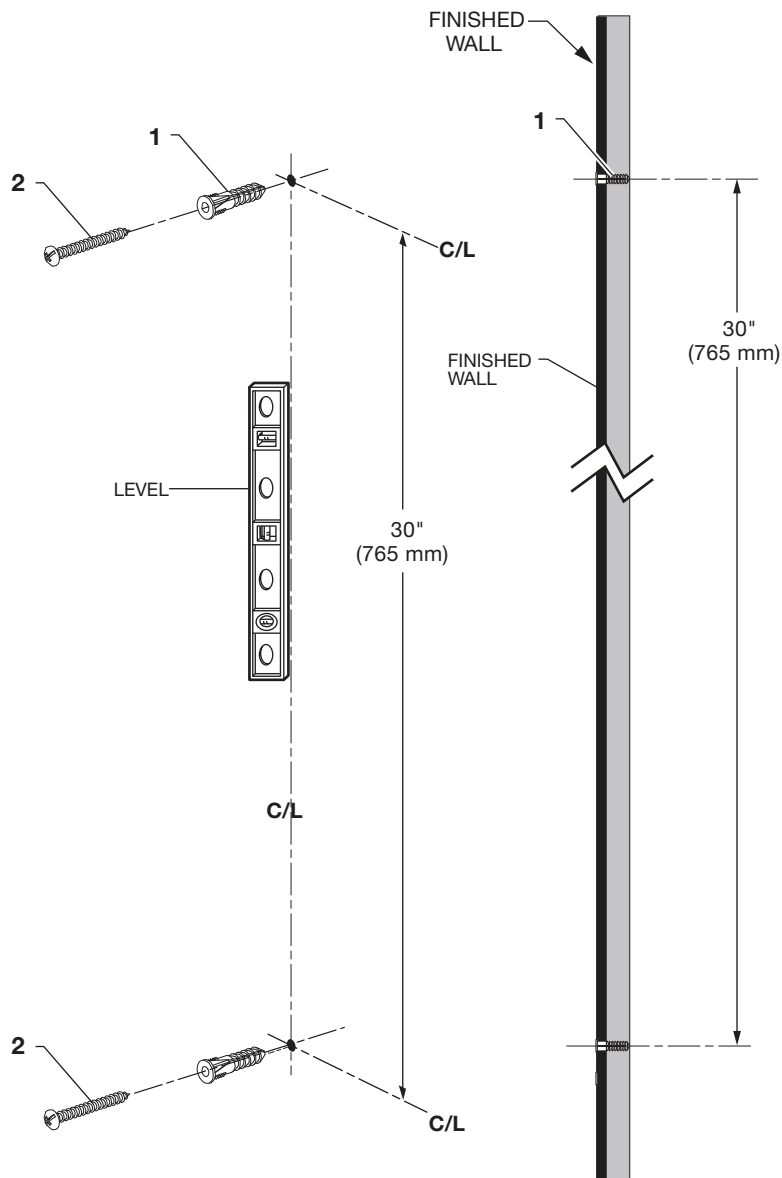
ROUGHING-IN DIMENSIONS:

- For reference



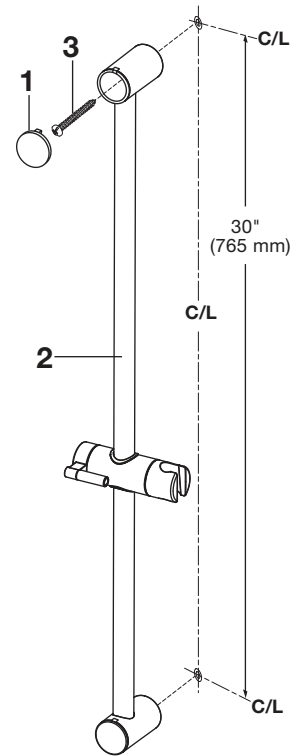
1 INSTALL WALL ANCHORS

- The ADJUSTABLE SHOWER BAR works best if secured to a wall stud or cross brace within the wall, using the SCREWS supplied.
- If the ADJUSTABLE SHOWER BAR is to be installed on a tile or plaster wall the ANCHORS (1) and SCREWS (2) should be used.
- Determine desired height and location (optional) and mark the top center line. Use a level to help mark the vertical center line for the two mounting locations. The distance between the two mounting holes is 30" (765 mm).
Note: This dimension is important and must be maintained. If ESCUTCHEON is secured to a stud or cross brace with in the wall, drill small pilot holes for SCREWS (2).
- **For installations on drywall or tiled walls:** Use ANCHORS (1) and SCREWS (2) for securing ESCUTCHEON to finished wall.
- Drill two 1/4" (6 mm) dia. holes a minimum of 1-3/4" (44 mm) deep. Insert the two ANCHORS (1) flush with face of the finished wall.



2 INSTALL ADJUSTABLE SHOWER BAR

- Remove CAP (1) from SHOWER RAIL (2).
- Secure SHOWER RAIL (2) to the wall using MOUNTING SCREWS (3). Do not fully tighten. After alignment is made, tighten the MOUNTING SCREWS (3) fully.
- Instal CAP (1) back onto SHOWER RAIL (2).



3 INSTALL WALL SUPPLY

- Supply to WALL SUPPLY is 1/2" NPT. See rough-in above for detailed information.
- Apply sealant or sealing tape to threads of 1/2" NPT supply nipple.



4 INSTALL HOSE AND HAND SHOWER

- Remove HAND SHOWER (1) from the hose. Turn water supplies on to flush water lines thoroughly.
- Turn handles "off" and replace HAND SHOWER (1).
- Use KNOB (3) on HOLDER (2) to adjust HAND SHOWER (1) height on slide bar.

