



PF90060 Cast Iron Portable Transfer Pump

Product Features

- Cast iron construction
- 3/4" NPT suction & discharge
- Includes brass garden hose adapters, suction strainer & extra set of motor brushes
- Two heavy-duty carrying handles
- Easy prime plug, no tools required
- 25' Power cord
- Built-in on/off switch
- Built in thermal overload protection for safety
- Permanently lubricated motor bearings
- Works great for draining water heaters, filling radiant heating systems, washing cars, as a pressure booster, or general water transfer*
- *Not for use with potable water



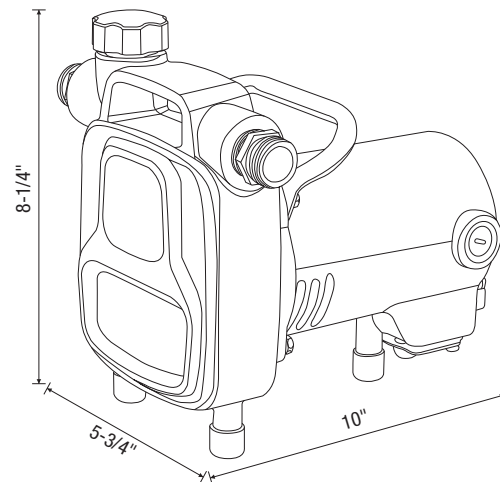
PF90060

Motor Performance

- 1/2 HP 120 Volt fan cooled AC (8.4 Amps)

Performance Chart					
Lift	0'	30'	60'	90'	110'
GPM	25	19	13	7	3
GPH	1500	1140	780	420	180

Product Specifications



* All measurements are nominal. Please verify before actual installation.

Warranty and Codes

This product comes complete with installation, operating, care and maintenance instructions. This PROFLO transfer pump carries a 1 year warranty when installed in residential applications. See owners manual for warranty details.

This PROFLO transfer pump carries a 1 year limited warranty. In an effort to continually improve our products, we will make design changes from time to time. We reserve the right to ship newly designed product to fill any order unless it is agreed in writing to do otherwise.