

Floor Mounted Flush Valve Bowl



Product Features

- 1.0-1.6 GPF
- Siphon Jet Flush
- Vitreous China
- 17-1/8" Elongated Flush Valve Bowl
- Rough-in: 10" or 12"
- Spud Size: 1-1/2" Top
- Trapway: 2" Fully Glazed
- Water Spot: 11-1/2" x 13"
- Flush Valve not included

Codes and Certifications



- IAPMO/cUPC
- EPA WaterSense Certified
- ASME A112.19.2 / CAS B45.1
- MaP Rated 1000g
- Meets ADA guidelines



Available Colors: White (WH)

Bowl

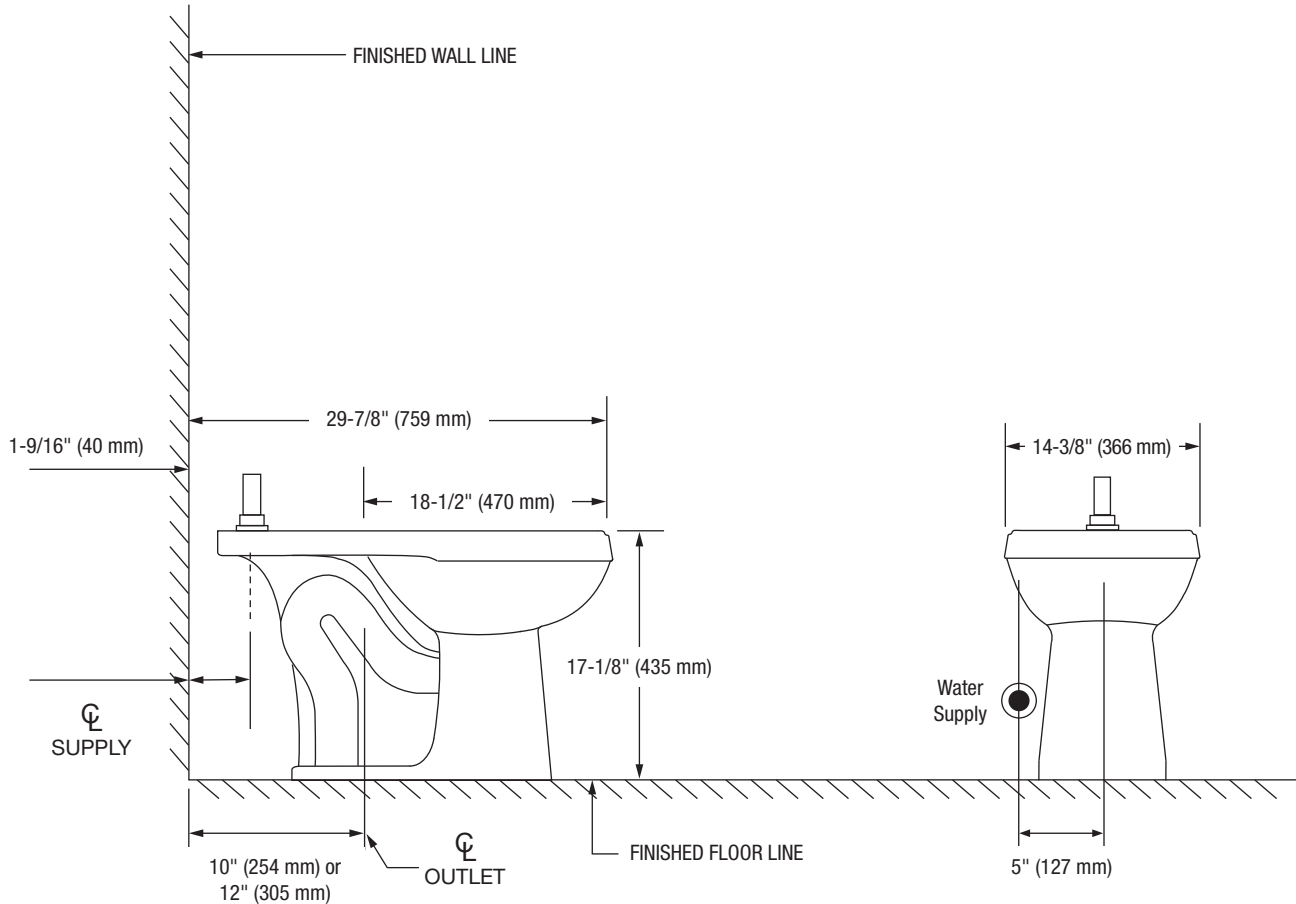
PF1723WH

Elongated Flush Valve Bowl - 17-1/8"

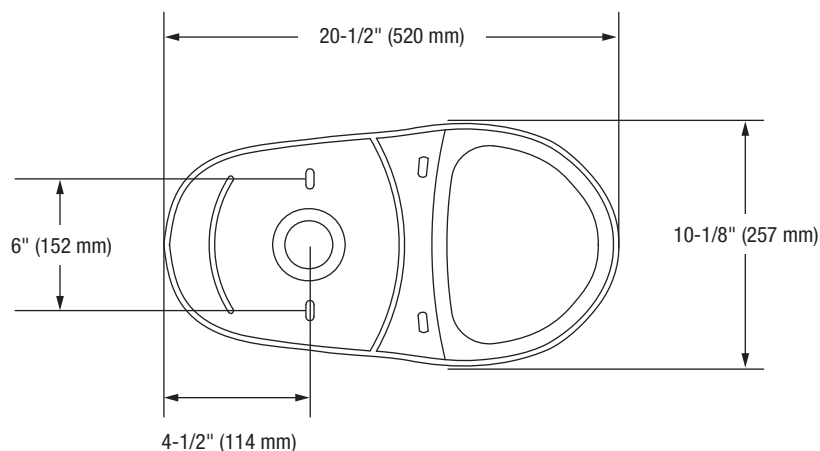
This product comes complete with installation, operating, care and maintenance instructions. All PROFLO fixtures carry a lifetime limited warranty on the vitreous china and a 5-year limited warranty on the fittings. Visit ferguson.com for detailed warranty information.



Floor Mounted Flush Valve Bowl



Bowl Footprint Dimensions



Note: All dimensions and specifications are nominal and may vary: Dimensions of 8" and greater have a tolerance of +3%. Dimensions less than 8" have a tolerance of +5%.