

**WARRANTY**

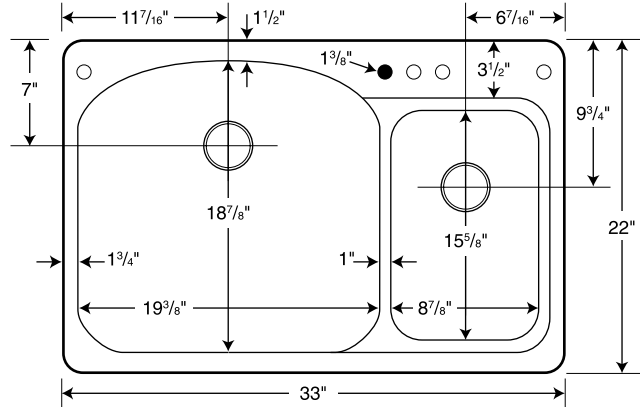
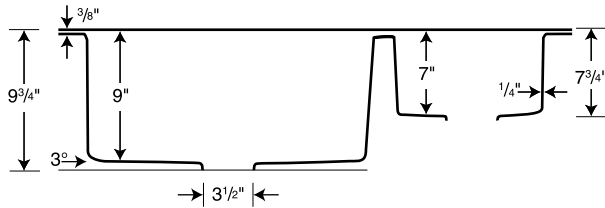
Limited Lifetime – Residential  
Limited 10-year – Commercial

**Manufactured from Swanstone solid surface**  
(see page 2 for detailed information)

*Recommended for high use traffic areas and commercial surfaces*

**FEATURES**

- Designed with gourmet-style prep and clean-up features
- Renewable surface will not wear away
- Hot pots and boiling water will not harm it
- Highest resistance of impact from heavy objects
- Easily accommodates all faucet styles
- Heat, stain and scratch resistant for lasting beauty
- Matching or contrasting countertops available. Contact a Swanstone representative for more information.



○ Drill Points ● Pre-drilled

**SPECIFICATIONS**

**KSLS-3322 Double Bowl**

| Model     | Part      | Dimensions                         | Ship Wt. Lb. | Ship UPS | Carton Dims. In. | Cu. Ft. |
|-----------|-----------|------------------------------------|--------------|----------|------------------|---------|
| KSLS-3322 | KS03322LS | 33" W x 22" D<br>(838 mm x 559 mm) | 30           | UPS      | 38 x 25 x 13     | 7.15    |

**ACCESSORIES**

- CB-22 Wood or White/Bone Polyethylene Cutting Board
- WB-DB & WB-22 Wire Basket
- BR-LS Basin Rack

See page 13 for complete listing of all kitchen sink accessories.

**STANDARDS AND RATINGS**

Class 1A fire rating

American National Standard Institute—ANSI Z124.6

International Association of Plumbing and Mechanical Officials (IAPMO)—listed

cUPC listed—Certified to CSA Standard B45 by IAPMO

National Sanitation Foundation-NSF Splash Zone, -NSF Food Zone

American Society for Testing and Materials

National Electrical Manufacturers Association

For a complete list of tests and results see the Technical Data Sheet – page 131.

**SUPPORT DOCUMENTS**

Installation instructions available on line at [www.swanstone.com](http://www.swanstone.com)

 **MADE IN USA.**

**COLORS**

(See inside back cover for color sample.)

- White (010)
- Bone (037)
- Bisque (018)
- Almond Galaxy (046)
- Arctic Granite (035)
- Barley (091)
- Bermuda Sand (040)
- Gray Granite (042)
- Green Pasture (095)
- Sierra (094)
- Tahiti Blue (056)
- Tahiti Desert (050)
- Tahiti Evergreen (057)
- Tahiti Gray (053)
- Tahiti Ivory (059)
- Tahiti Matrix (058)
- Tahiti Rose (052)
- Tahiti Sand (051)
- Tahiti Terra (055)
- Tahiti White (011)
- Cornflower (063)
- Ironweed (061)
- Night Sky (012)
- Purple Sage (064)
- Wild Indigo (022)
- Winter Wheat (060)
- Indian Grass (071)
- Black Galaxy (015)
- Pebble (072)
- Seafoam (074)
- Glacier (121)
- Prairie (122)
- Acorn (123)
- Canyon (124)
- Baby's Breath (168)
- Caraway Seed (169)

**MAINTENANCE AND CLEANING INFORMATION**

Clean your Swanstone sink by using abrasive cleaners such as Comet, Ajax, Bon Ami, Soft Scrub, etc. Use of a Scotch-Brite pad, nylon scrub pad, or Mr. Clean Magic Eraser is also recommended. Food based stains can be removed using a 50/50 bleach and water solution and soaking for 15 minutes. For rust or other mineral based stains, products such as Rust-Out or Whink are acceptable. To restore luster and extend time between cleanings, Weiman's Granite Polish is recommended. **Do not** use SOS, Brillo or other metal scouring pads.