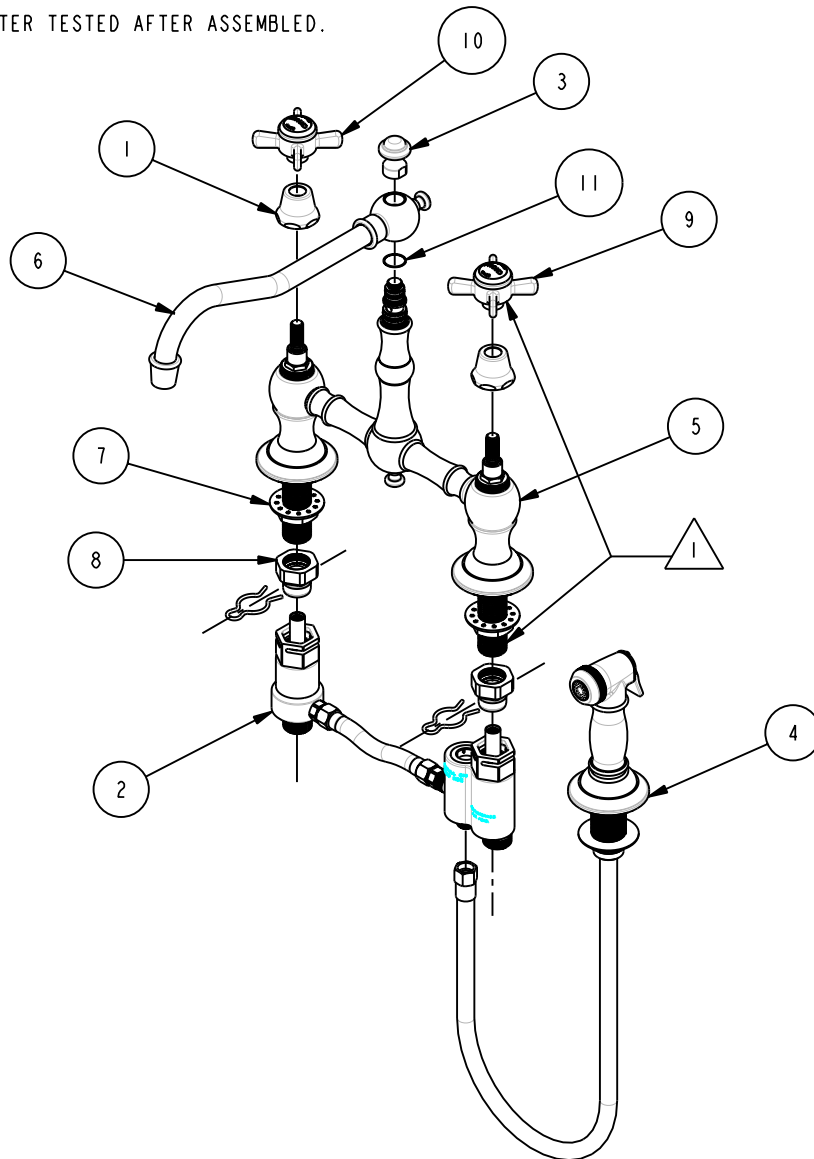


NOTES:

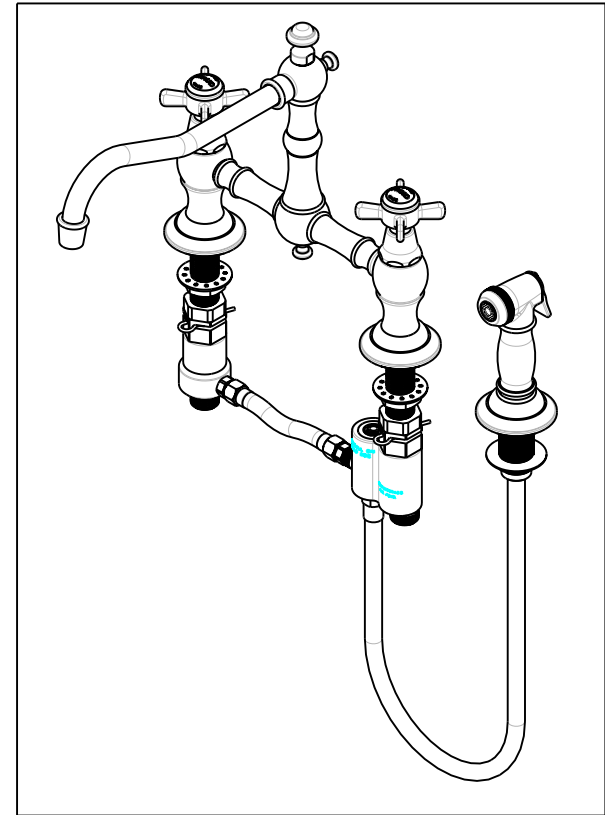
1. COLD HANDLE ASSY (ITEM 9) AND BLUE DYKEM LEG OF BRIDGE BODY ASSY (ITEM 5) ARE LOCATED ON THE SAME SIDE.

2. ASSEMBLY SHALL BE WATER TESTED AFTER ASSEMBLED.



BILL OF MATERIAL (CURRENT LEVEL)

| ITEM | PT/ASSY | DESCRIPTION | TYPE | QTY. |
|------|---------|------------------------------|----------|------|
| 1 | 10331 | BONNET FOR 933, 934 | PART | 2 |
| 2 | 2-472 | DIVERTER ASSY, BRIDGE FAUCET | ASSEMBLY | 1 |
| 3 | 10318 | FINIAL, NUT | PART | 1 |
| 4 | 129 | HAND SPRAY | ASSEMBLY | 1 |
| 5 | 3-300 | KITCHEN BODY ASSY W/ SPRAY | ASSEMBLY | 1 |
| 6 | 3-299 | KITCHEN SPOUT ASSY | ASSEMBLY | 1 |
| 7 | 1-031 | MOUNTING HARDWARE C/S BAR | ASSEMBLY | 1 |
| 8 | 1-152 | SEAT ASSY, UPPER | ASSEMBLY | 2 |
| 9 | 2-115 | THIN BLADE X - HANDLE COLD | ASSEMBLY | 1 |
| 10 | 2-114 | THIN BLADE X - HANDLE HOT | ASSEMBLY | 1 |
| 11 | 91012 | WASHER DLR | PART | 1 |



COPYRIGHT 2005 BRASSTECH, INC. THESE DRAWINGS AND THE DESIGNS DEPICTED HEREIN ARE THE PROPRIETARY PROPERTY OF BRASSTECH. ANY USE OR REPRODUCTION IS SUBJECT TO THE EXPRESS APPROVAL OF BRASSTECH. UNAUTHORIZED USE IS STRICTLY PROHIBITED. ALL RIGHTS RESERVED.

BRASSTECH
INCORPORATED
2001 E. CARNEGIE AVE.
SANTA ANA, CA 92705
(949) 417-5207

KITCHEN DECK FAUCET W/ SPRAY

ASSY. NO.

945-1

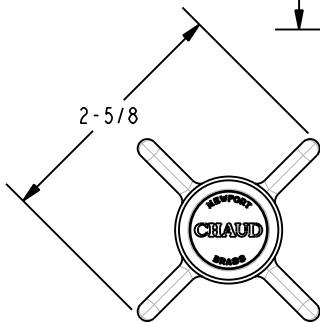
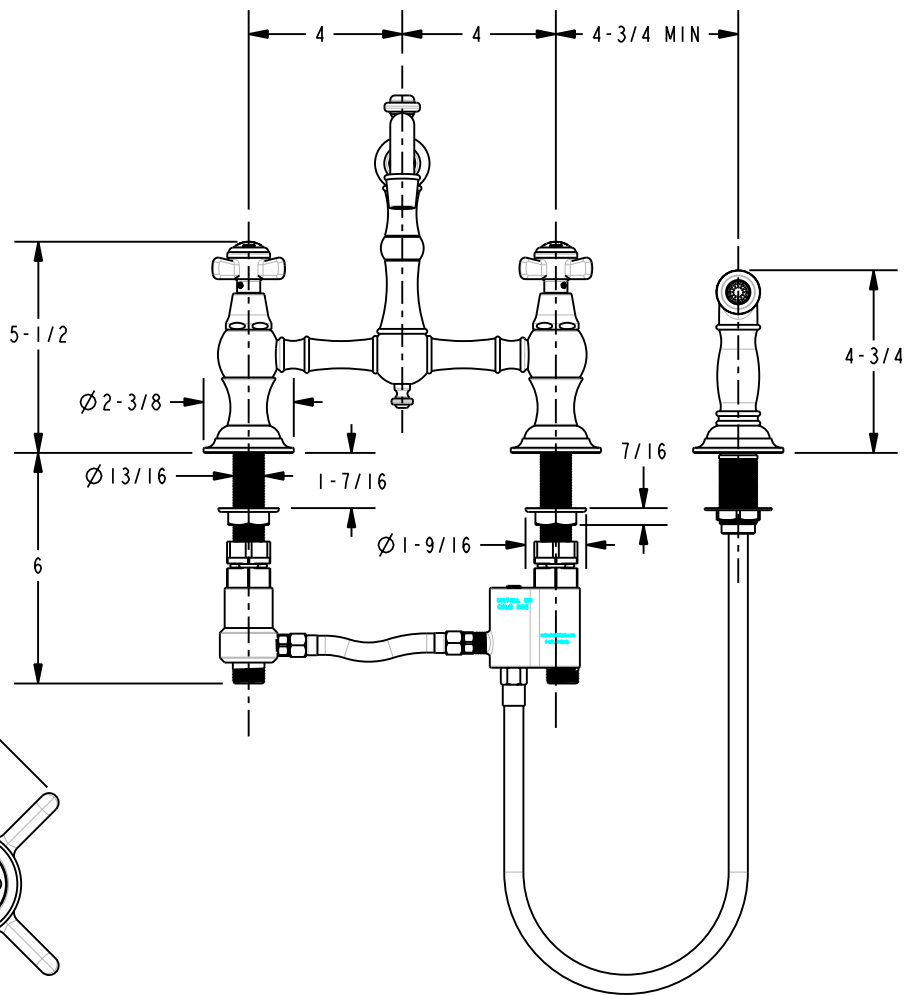
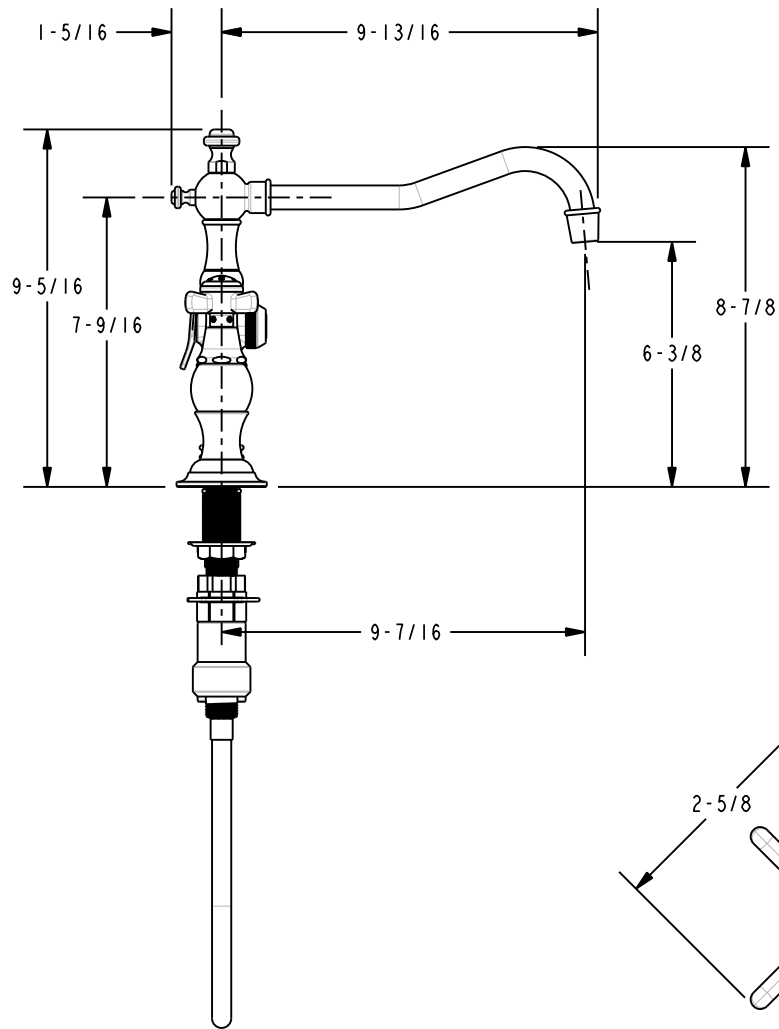
SCALE -

REF. -

SHEET 1 OF 2

| | | |
|-----|----------|----------|
| B | EO-0514 | 06/02/05 |
| A | EO-0449 | 11/11/04 |
| - | EO-0433 | 10/06/04 |
| REV | REV DESC | DATE |

SPECIFICATION DWG



SCALE 0.500

DIMENSIONS ARE IN INCHES AND AN APPROXIMATION OF A TYPICAL INSTALLATION

COPYRIGHT 2005 BRASSTECH, INC. THESE DRAWINGS AND THE DESIGNS DEPICTED HEREIN ARE THE PROPRIETARY PROPERTY OF BRASSTECH. ANY USE OR REPRODUCTION IS SUBJECT TO THE EXPRESS APPROVAL OF BRASSTECH. UNAUTHORIZED USE IS STRICTLY PROHIBITED. ALL RIGHTS RESERVED.

| | | | |
|------------------|--------|-----------------------|------|
| BRASSTECH | | 2001 E. CARNEGIE AVE. | |
| INCORPORATED | | SANTA ANA, CA 92705 | |
| | | (949) 417-5207 | |
| DWG NO. | 945-1 | REV | B |
| SCALE 0.200 | REF. - | SHEET 2 | OF 2 |