

## Axor Universal Accessories

### Axor Universal Soap Dish

Finishes : **Chrome** Part no. : **42803000**



#### Description

##### Features

- Wall-mounted
- Adaptor set #42870000 must be used when installing on a rail
- Mounting possible with toilet paper roll holder #42836000 (adaptor #42870000 necessary)

##### Optional accessories

- Axor Universal Modular Adaptor Set (#42870XXX)
- Axor Universal Towel Bar/Rail, Short (#42830XXX)
- Axor Universal Towel Bar/Rail, Medium (#42832XXX)
- Axor Universal Towel Bar/Rail, Long (#42833XXX)
- Axor Universal Toilet Paper Holder (#42836XXX)
- Cover, 6" (#42890XXX)

#### Item details

List Price \$ 194.00

#### Design awards



reddot award 2015  
winner



Focus Open 2015  
Silver



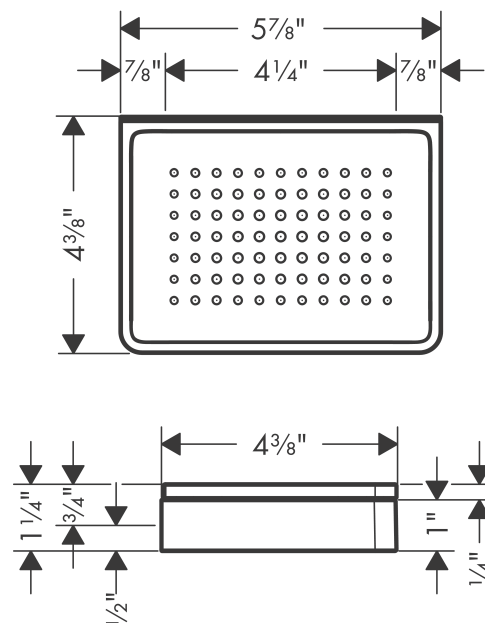
#### Compliance



#### Product image



#### Scale drawing



## Axor Universal Accessories

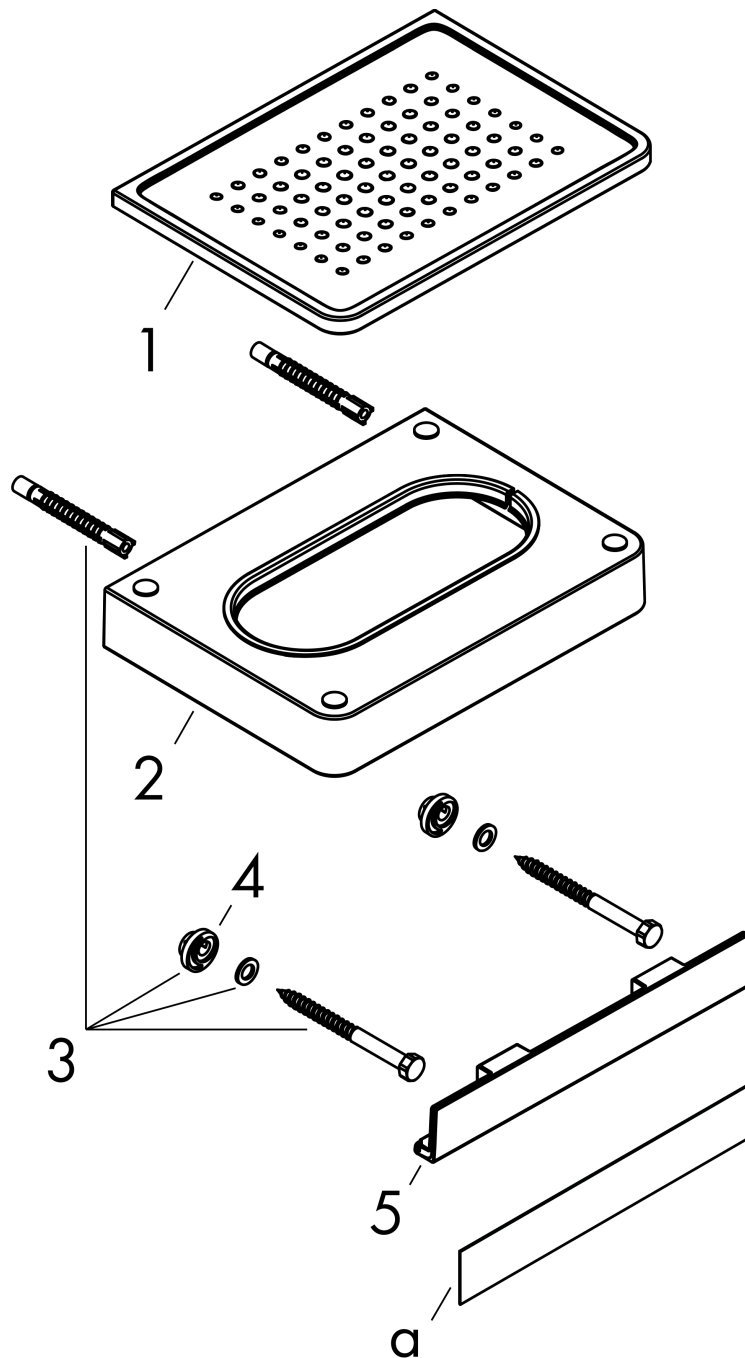
### Axor Universal Soap Dish

Finishes : **Chrome** Part no. : **42803000**



#### Exploded drawing

Year of production: >11/14



## Axor Universal Accessories

### Axor Universal Soap Dish

Finishes : **Chrome** Part no. : **42803000**



#### Spare parts list

Year of production: >11/14

Pos.	Description	Part no.	Price	PU
1	soap recess	92429000	-	1
2	support element	92424000	-	1
3	mounting set	92841000	-	1
4	excentric socket	97604000	-	1
5	cover	92427000	-	1
a	cover	42890000	-	1
b	set of adapters	42870000	-	1
c	set of covers	42871000	-	1
d	mounting kit for two-sided glass montage	42841000	-	1