

# Post w/ Photo Cell and Ladder BK

9502BK (Black (Painted))

Project Name: \_\_\_\_\_  
Location: \_\_\_\_\_  
Type: \_\_\_\_\_  
Qty: \_\_\_\_\_  
Comments: \_\_\_\_\_

## Ordering Information

Product ID	9502BK
Finish	Black (Painted)

## Specifications

Material	Aluminum
----------	----------

## Electrical

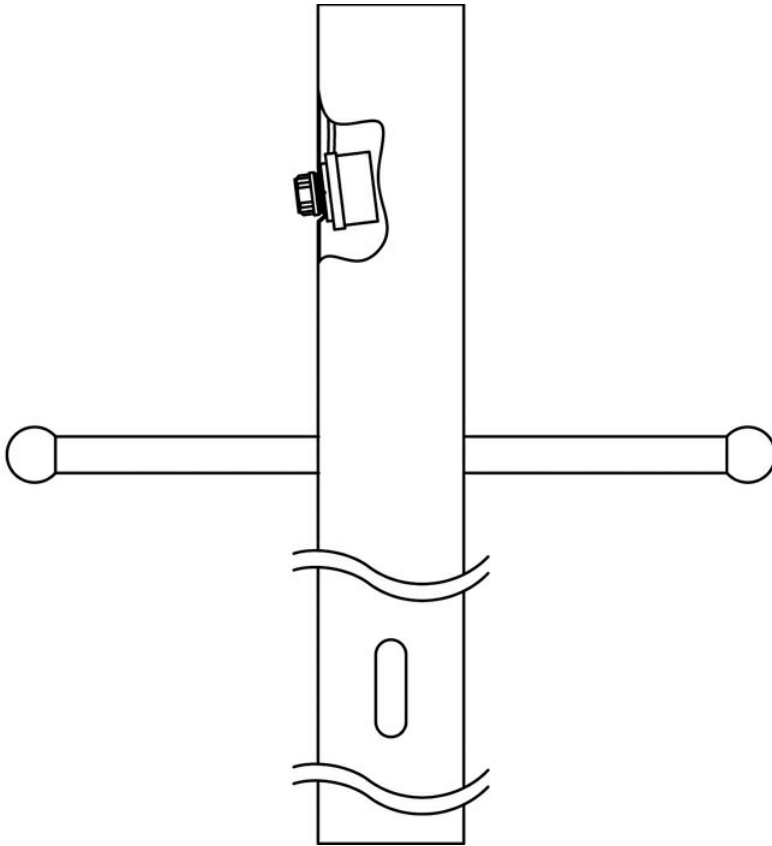
Switch Type	Photocell
-------------	-----------

## Qualifications

Safety Rated	Not Required
Warranty	<a href="http://www.kichler.com/warranty">www.kichler.com/warranty</a>

## Primary Lamping

Lamp Included	Not Included
---------------	--------------



## Dimensions

Height	84.00"
Width	3.00"

### Notes:

- 1) Information provided is subject to change without notice. All values are design or typical values when measured under laboratory conditions.
- 2) Incandescent Equivalent: The incandescent equivalent as presented is an approximate number and is for reference only.