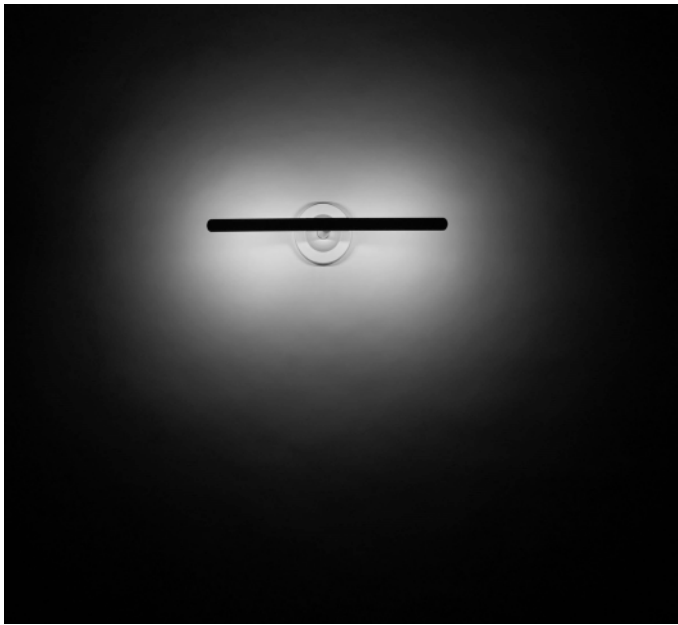
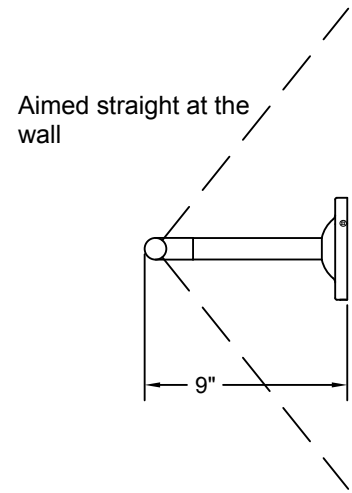
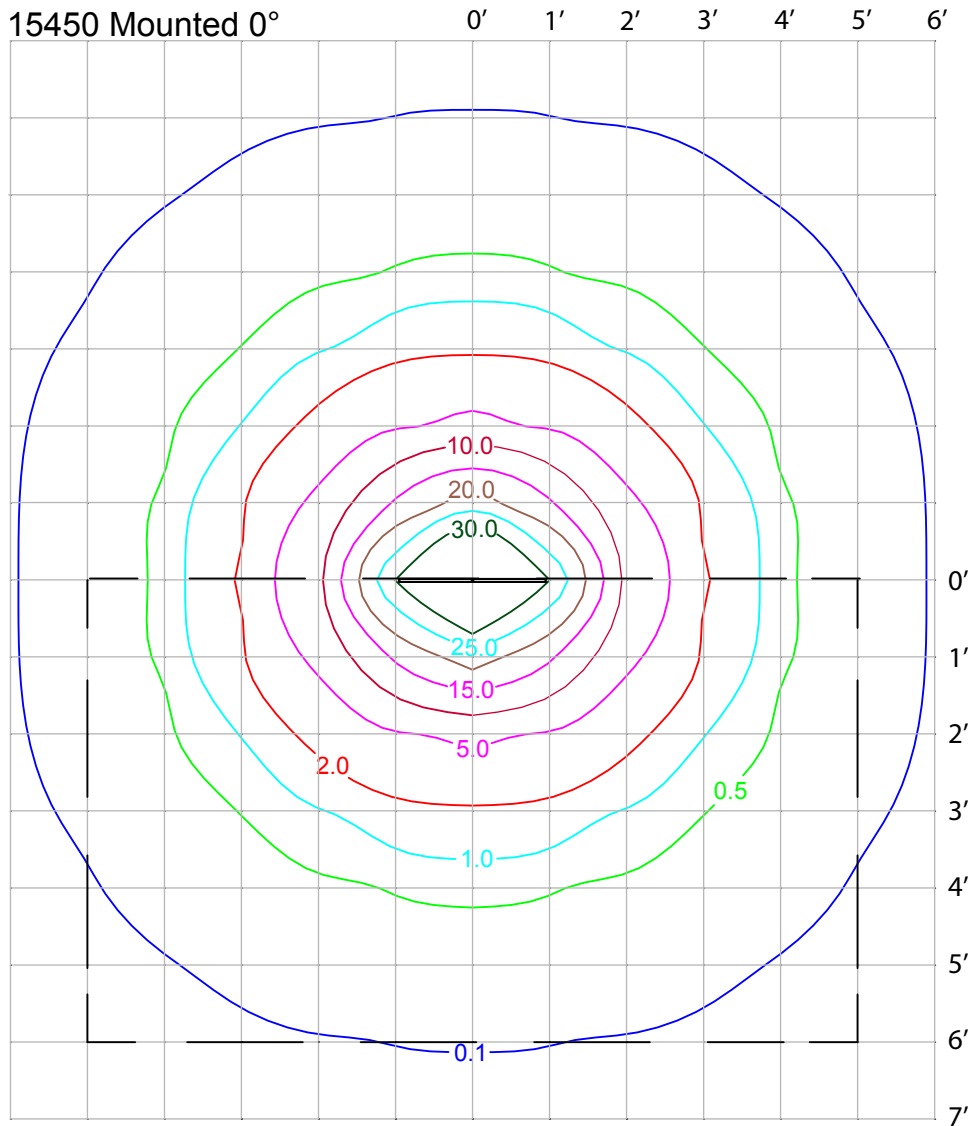


Nexus 15450

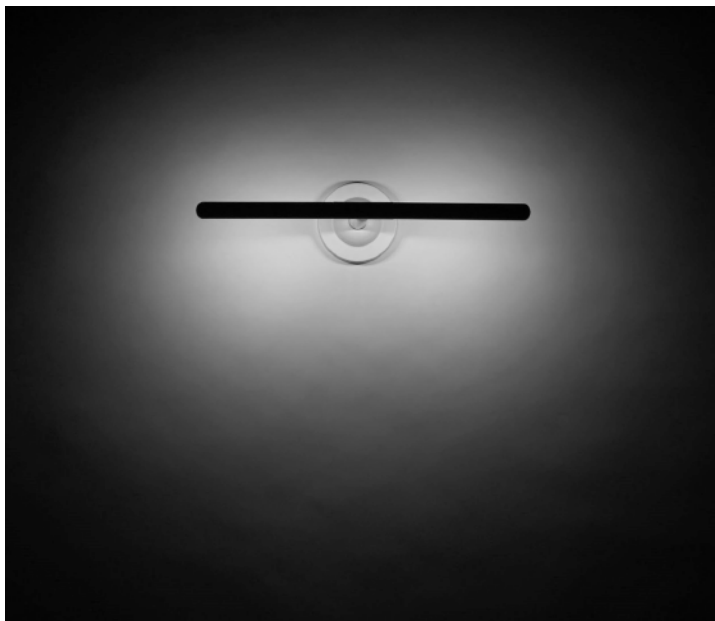


BULB EQUIVALENCIES	
Footcandles	Natural / Realistic Equivalent
5000	Bright Summer Sunshine
500	Overcast Sky
50	Well-Lit Office
30	Minimum for Easy Reading
5	Passageway / Outdoor Work Area
1.5	Good Main Road Lighting
1.0	Sunset
0.50	Typical Side Road Lighting
0.20	Minimum Security Risk Lighting
0.10	Twilight
0.03	Clear Full Moon
0.01	Typical Moonlight / Cloudy Sky
0.0001	Typical Starlight
0.00001	Poor Starlight



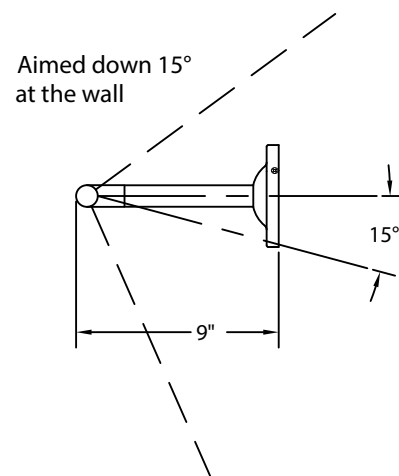
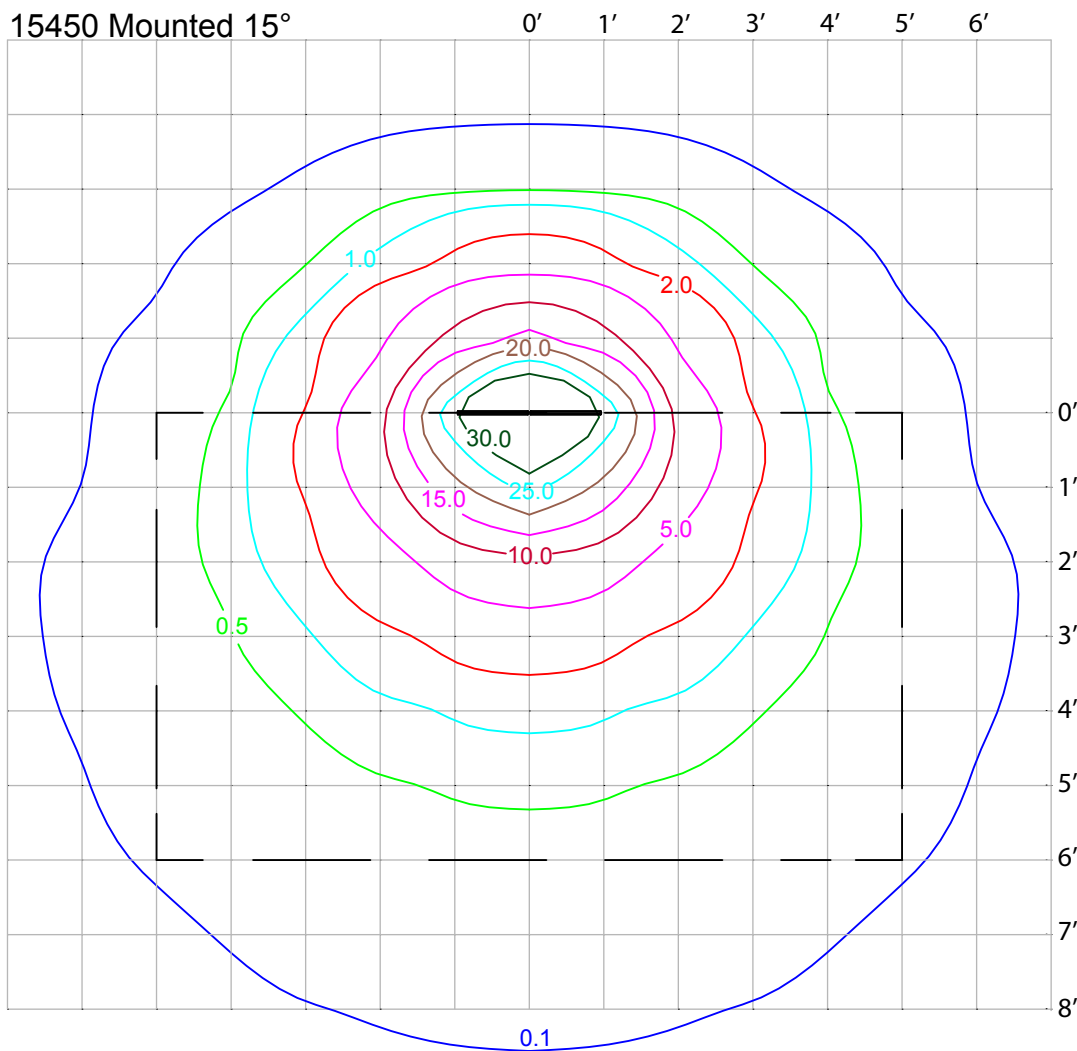
HINKLEY

LANDSCAPE LIGHTING



BULB EQUIVALENCIES	
Footcandles	Natural / Realistic Equivalent
5000	Bright Summer Sunshine
500	Overcast Sky
50	Well-Lit Office
30	Minimum for Easy Reading
5	Passageway / Outdoor Work Area
1.5	Good Main Road Lighting
1.0	Sunset
0.50	Typical Side Road Lighting
0.20	Minimum Security Risk Lighting
0.10	Twilight
0.03	Clear Full Moon
0.01	Typical Moonlight / Cloudy Sky
0.0001	Typical Starlight
0.00001	Poor Starlight

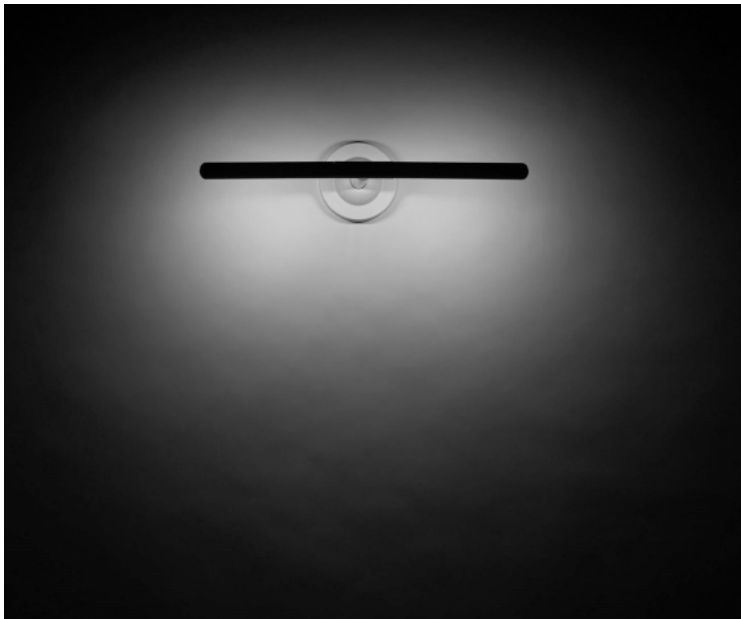
15450 Mounted 15°



HINKLEY

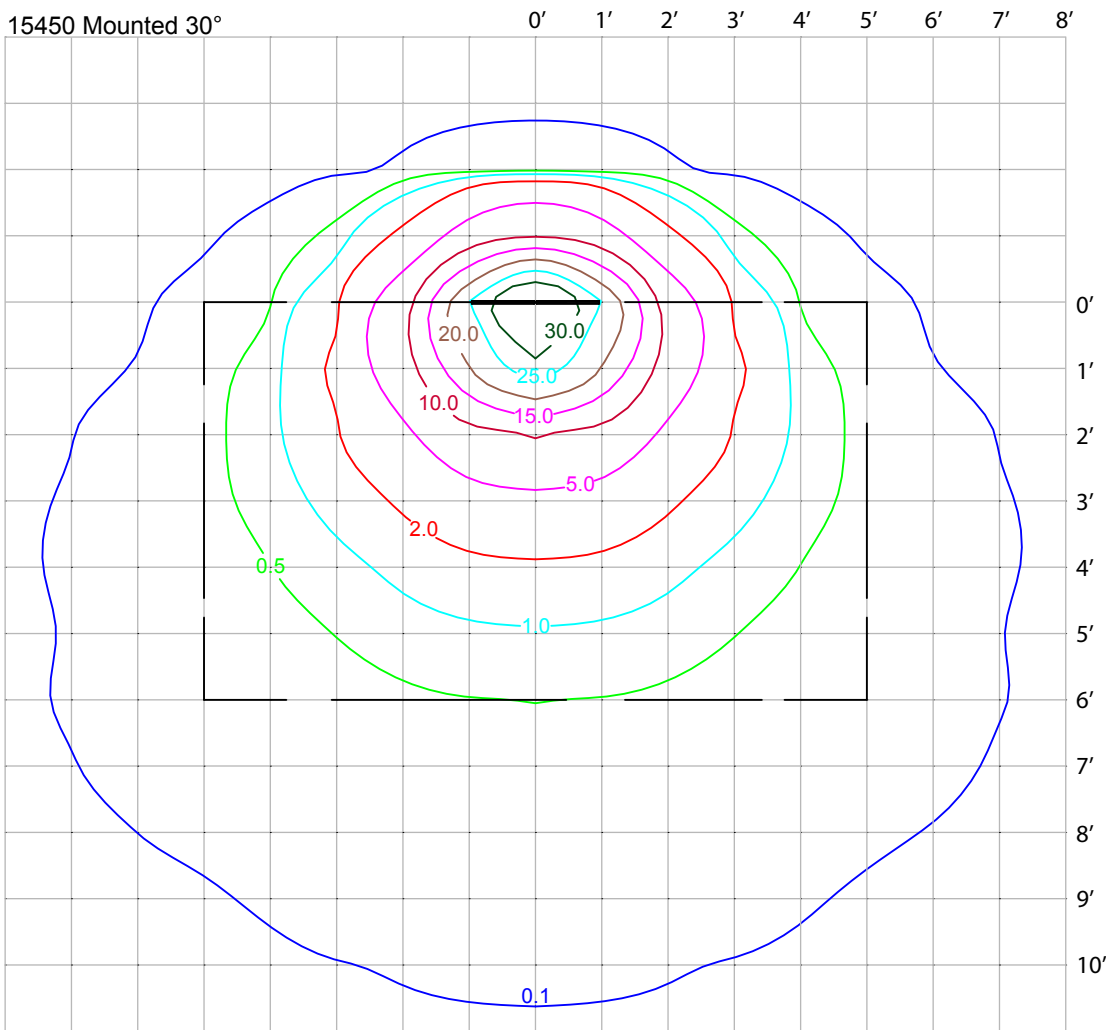
LANDSCAPE LIGHTING

Nexus 15450

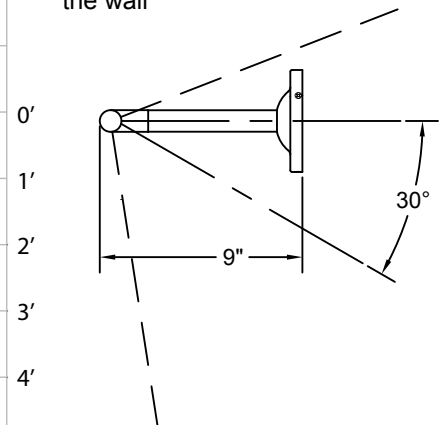


BULB EQUIVALENCIES	
Footcandles	Natural / Realistic Equivalent
5000	Bright Summer Sunshine
500	Overcast Sky
50	Well-Lit Office
30	Minimum for Easy Reading
5	Passageway / Outdoor Work Area
1.5	Good Main Road Lighting
1.0	Sunset
0.50	Typical Side Road Lighting
0.20	Minimum Security Risk Lighting
0.10	Twilight
0.03	Clear Full Moon
0.01	Typical Moonlight / Cloudy Sky
0.0001	Typical Starlight
0.00001	Poor Starlight

15450 Mounted 30°



Aimed down 30° at the wall



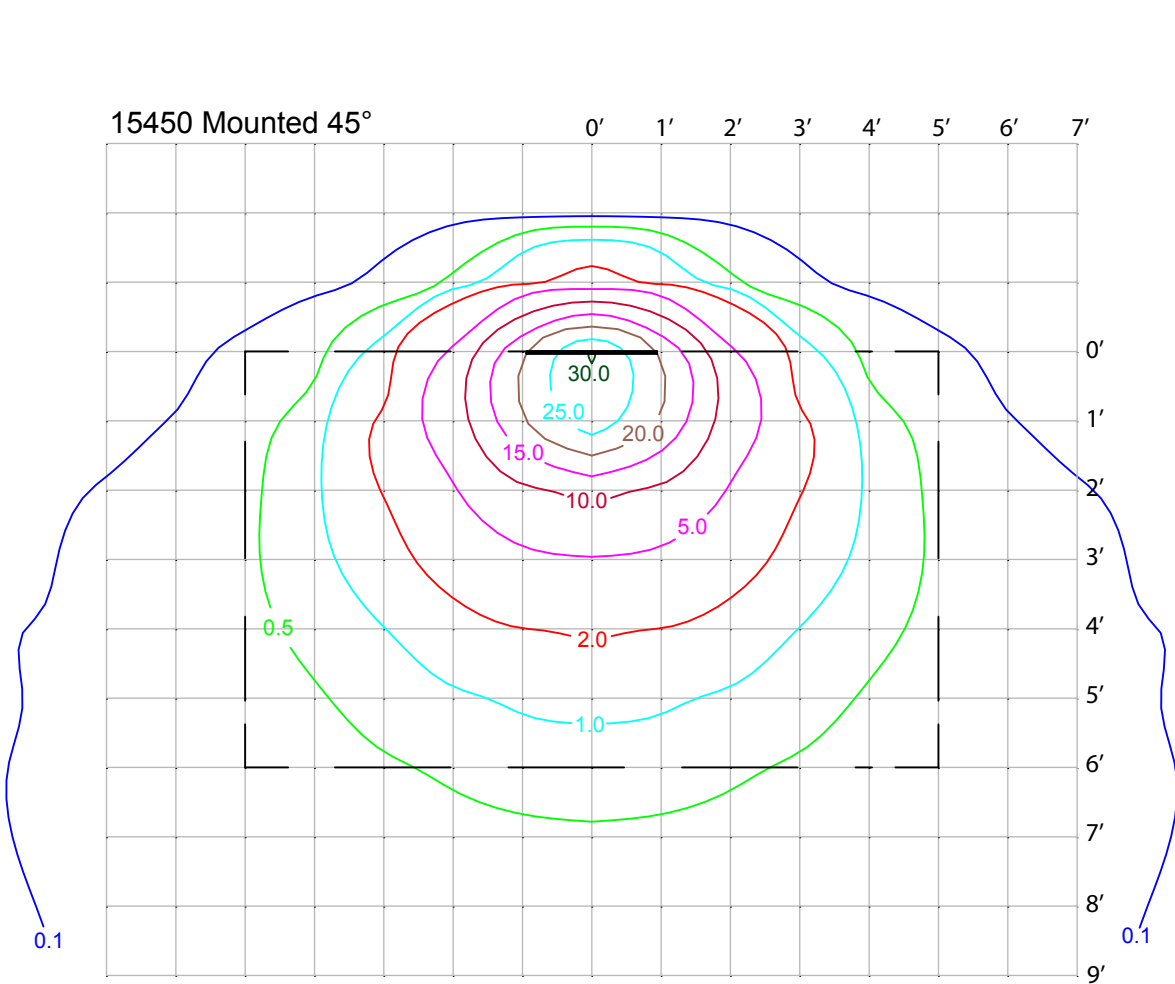
HINKLEY

LANDSCAPE LIGHTING

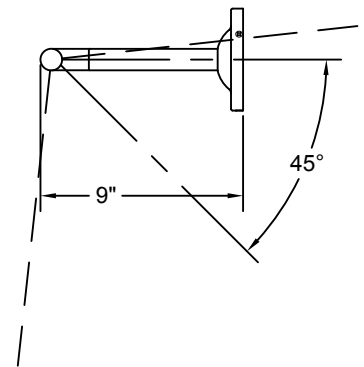
Nexus 15450



BULB EQUIVALENCIES	
Footcandles	Natural / Realistic Equivalent
5000	Bright Summer Sunshine
500	Overcast Sky
50	Well-Lit Office
30	Minimum for Easy Reading
5	Passageway / Outdoor Work Area
1.5	Good Main Road Lighting
1.0	Sunset
0.50	Typical Side Road Lighting
0.20	Minimum Security Risk Lighting
0.10	Twilight
0.03	Clear Full Moon
0.01	Typical Moonlight / Cloudy Sky
0.0001	Typical Starlight
0.00001	Poor Starlight



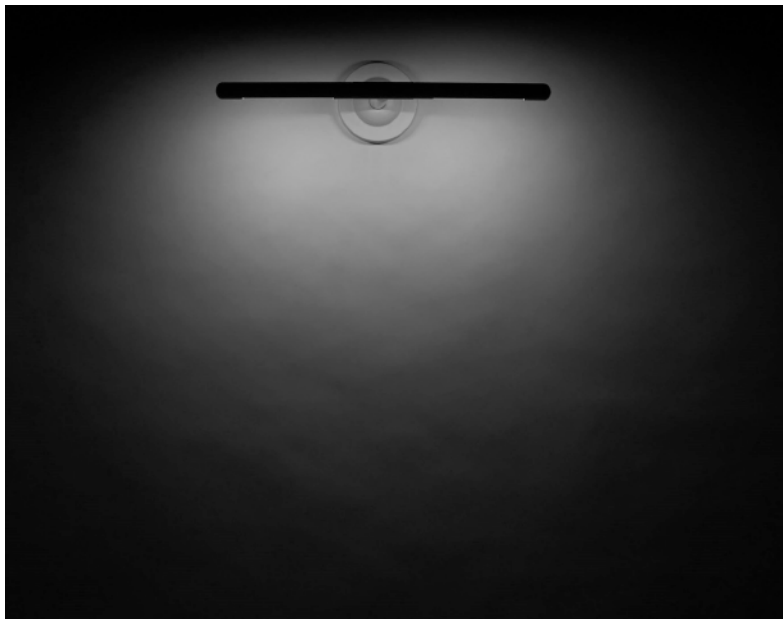
Aimed down 45° at the wall



HINKLEY

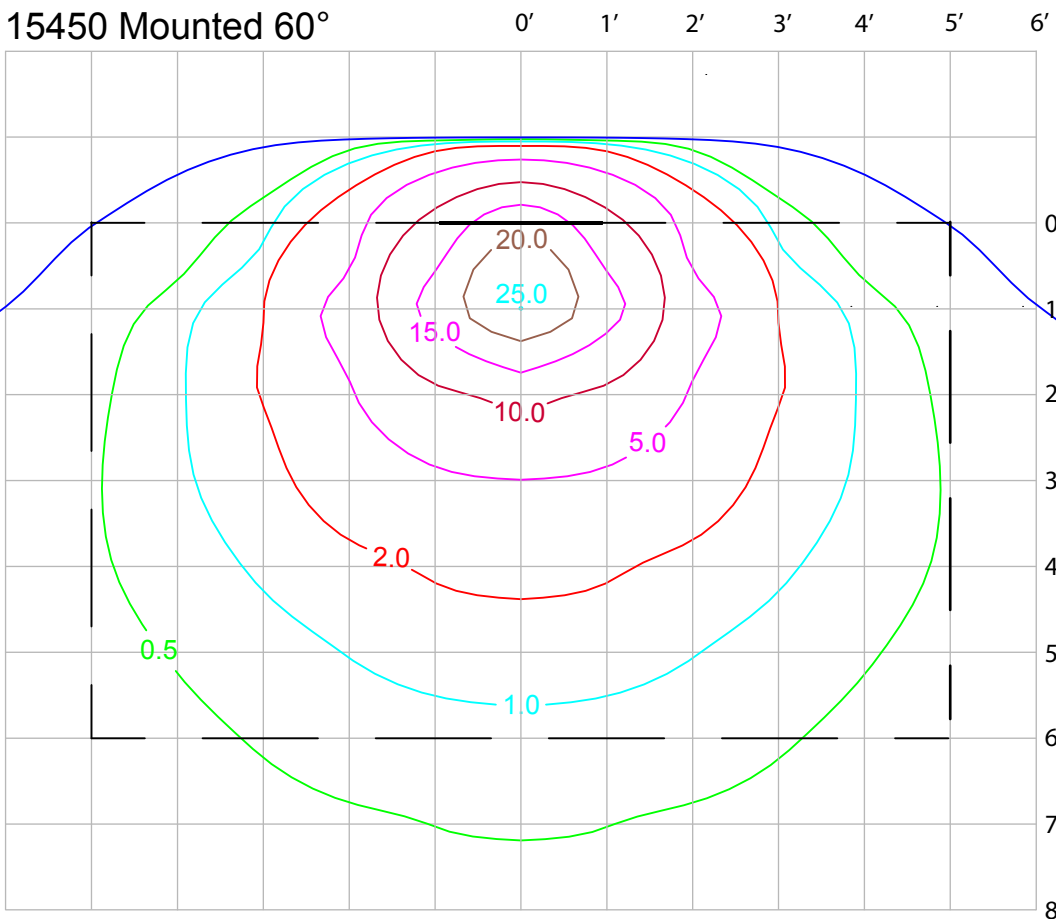
LANDSCAPE LIGHTING

Nexus 15450

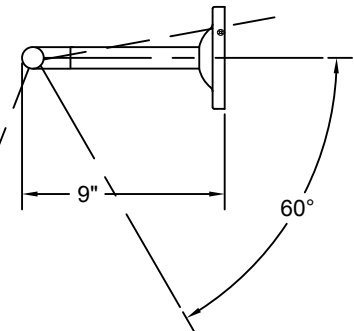


BULB EQUIVALENCIES	
Footcandles	Natural / Realistic Equivalent
5000	Bright Summer Sunshine
500	Overcast Sky
50	Well-Lit Office
30	Minimum for Easy Reading
5	Passageway / Outdoor Work Area
1.5	Good Main Road Lighting
1.0	Sunset
0.50	Typical Side Road Lighting
0.20	Minimum Security Risk Lighting
0.10	Twilight
0.03	Clear Full Moon
0.01	Typical Moonlight / Cloudy Sky
0.0001	Typical Starlight
0.00001	Poor Starlight

15450 Mounted 60°



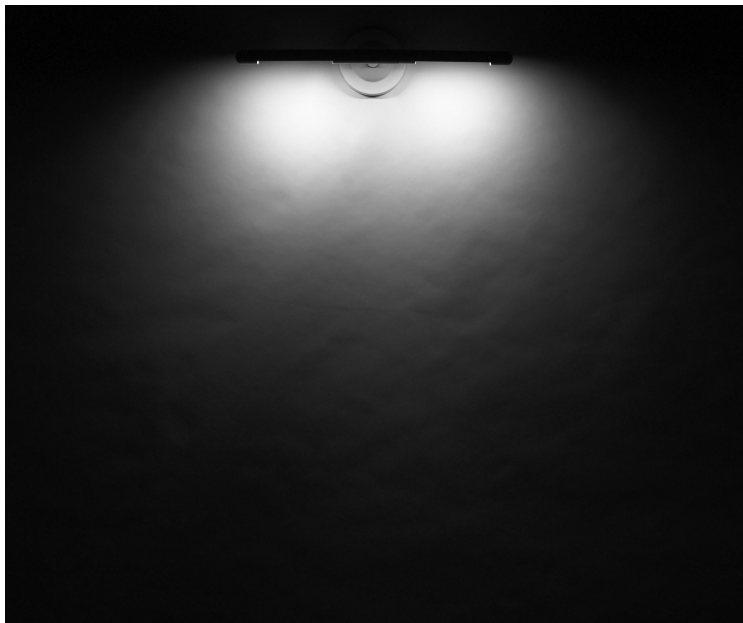
Aimed down 60° at the wall



HINKLEY

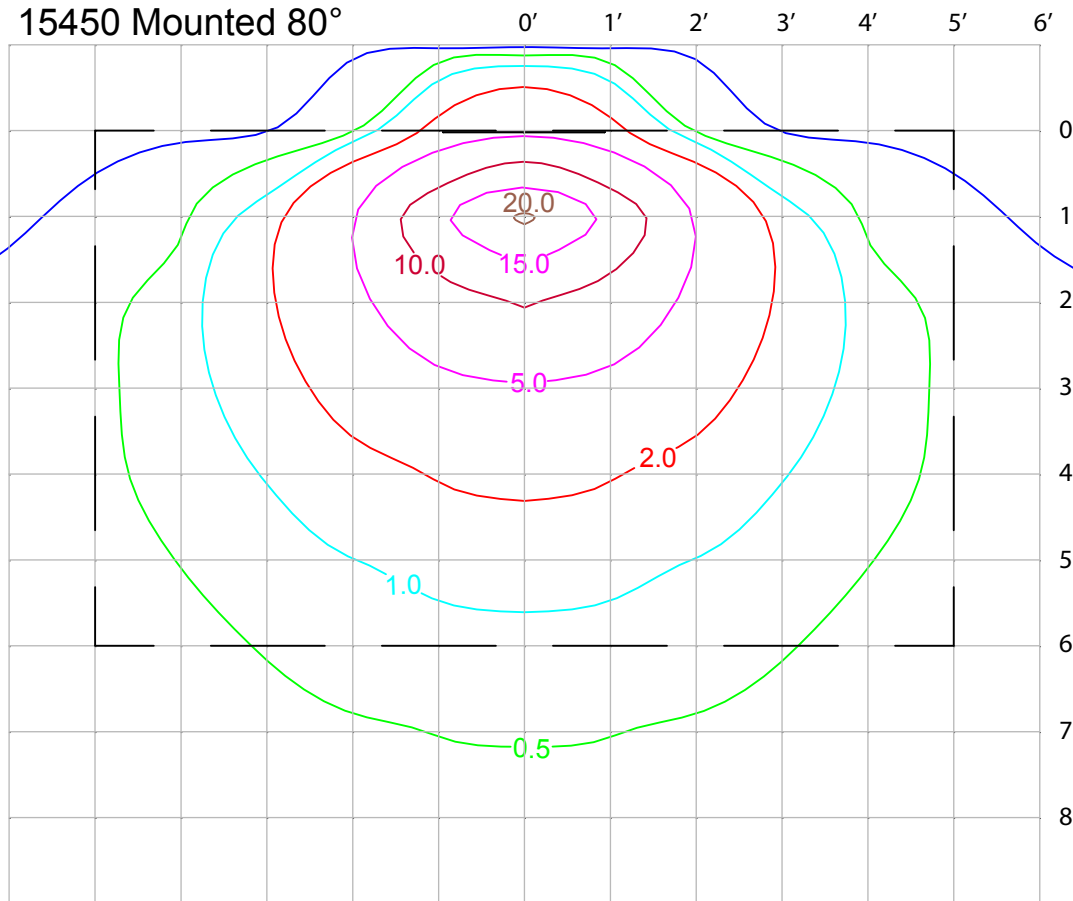
LANDSCAPE LIGHTING

Nexus 15450

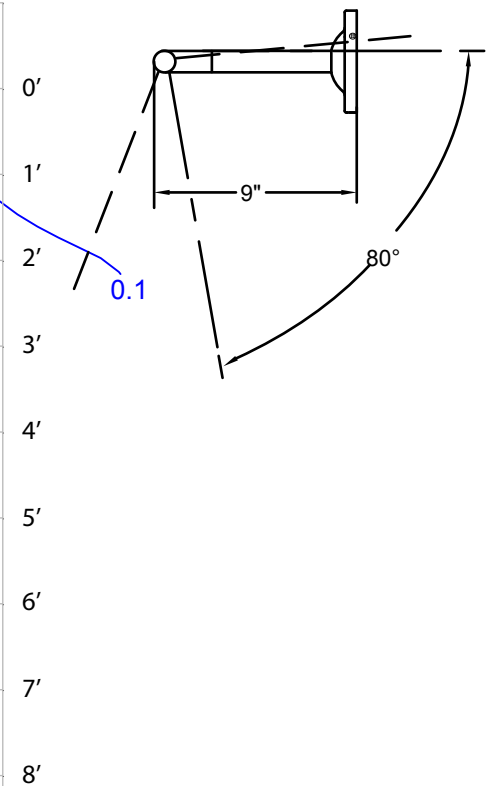


BULB EQUIVALENCIES	
Footcandles	Natural / Realistic Equivalent
5000	Bright Summer Sunshine
500	Overcast Sky
50	Well-Lit Office
30	Minimum for Easy Reading
5	Passageway / Outdoor Work Area
1.5	Good Main Road Lighting
1.0	Sunset
0.50	Typical Side Road Lighting
0.20	Minimum Security Risk Lighting
0.10	Twilight
0.03	Clear Full Moon
0.01	Typical Moonlight / Cloudy Sky
0.0001	Typical Starlight
0.00001	Poor Starlight

15450 Mounted 80°



Aimed down 80° at the wall



HINKLEY

LANDSCAPE LIGHTING