

All measurements in Foot-candles

20W Narrow Halogen

	0°	45°	90°
1'	13.02	4.81	No Measurable Light
2'	3.58	1.573	
3'	1.062	0.637	
4'	0.389	0.29	
5'	0.204	0.134	
6'	0.115	0.068	
7'	0.068	0.038	
8'	0.043	0.018	
9'	0.027	0.006	
10'	0.016		
11'			
12'			
13'			
14'			
15'			
16'			

35W Narrow Halogen

	0°	45°	90°
1'	14.54	4.91	No Measurable Light
2'	5.26	2.195	
3'	1.793	1.056	
4'	0.737	0.489	
5'	0.398	0.259	
6'	0.254	0.15	
7'	0.172	0.095	
8'	0.116	0.064	
9'	0.086	0.036	
10'	0.062	0.026	
11'	0.043	0.016	
12'	0.03		
13'	0.023		
14'	0.014		
15'			
16'			

50W Narrow Halogen

	0°	45°	90°
1'	17.02	6.09	No Measurable Light
2'	6.56	2.357	
3'	2.067	1.218	
4'	0.768	0.63	
5'	0.422	0.324	
6'	0.265	0.194	
7'	0.178	0.132	
8'	0.114	0.086	
9'	0.074	0.053	
10'	0.054	0.038	
11'	0.039	0.025	
12'	0.027	0.017	
13'	0.02		
14'	0.011		
15'			
16'			

20W Wide Halogen

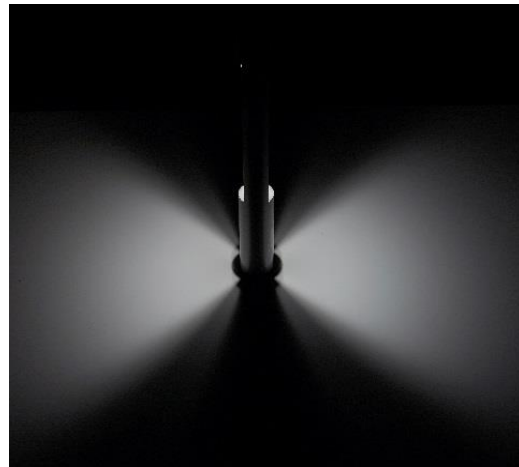
	0°	45°	90°
1'	9.22	2.683	No Measurable Light
2'	3.206	0.962	
3'	0.948	0.456	
4'	0.395	0.252	
5'	0.221	0.119	
6'	0.127	0.068	
7'	0.078	0.035	
8'	0.048	0.015	
9'	0.028		
10'	0.017		
11'			
12'			
13'			
14'			
15'			
16'			

35W Wide Halogen

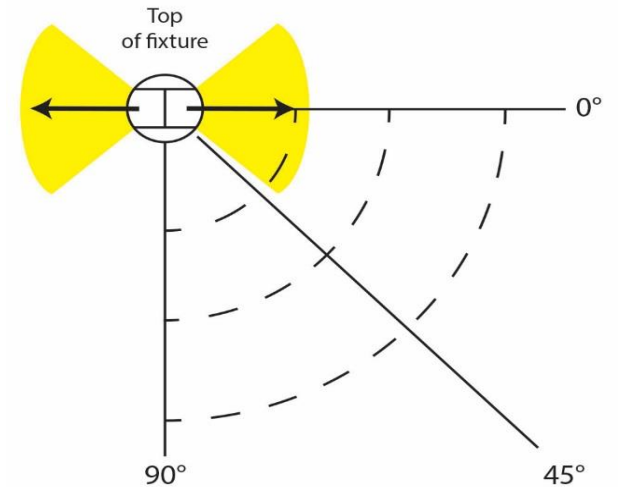
	0°	45°	90°
1'	13.98	5.52	No Measurable Light
2'	5.28	2.454	
3'	1.673	1.044	
4'	0.734	0.527	
5'	0.414	0.267	
6'	0.252	0.147	
7'	0.161	0.107	
8'	0.113	0.062	
9'	0.079	0.035	
10'	0.056	0.029	
11'	0.038	0.017	
12'	0.025		
13'	0.017		
14'			
15'			
16'			

50W Wide Halogen

	0°	45°	90°
1'	6.2	20.15	No Measurable Light
2'	2.135	6.26	
3'	0.987	1.84	
4'	0.527	0.813	
5'	0.262	0.457	
6'	0.167	0.298	
7'	0.109	0.2	
8'	0.071	0.135	
9'	0.045	0.098	
10'	0.031	0.075	
11'	0.026	0.054	
12'	0.016	0.039	
13'		0.03	
14'		0.022	
15'		0.016	
16'			



Actual photo of light pattern
Looking down on fixture



All measurements in Foot-candles

3W LED 3000K

	0°	45°	90°
1'	11.9	4.69	No Measurable Light
2'	2.941	1.966	
3'	1.131	0.768	
4'	0.494	0.387	
5'	0.224	0.185	
6'	0.108	0.079	
7'	0.053	0.037	
8'	0.026	0.016	
9'	0.017		
10'			
11'			
12'			
13'			
14'			
15'			
16'			

5W LED 3000K

	0°	45°	90°
1'	20.43	5.82	No Measurable Light
2'	4.2	2.804	
3'	1.831	1.255	
4'	0.864	0.63	
5'	0.385	0.317	
6'	0.203	0.146	
7'	0.107	0.078	
8'	0.066	0.047	
9'	0.045	0.027	
10'	0.028	0.016	
11'	0.013		
12'			
13'			
14'			
15'			
16'			

8W LED 3000K

	0°	45°	90°
1'	21.39	8.14	No Measurable Light
2'	4.75	3.169	
3'	2.105	1.324	
4'	0.977	0.704	
5'	0.445	0.335	
6'	0.228	0.162	
7'	0.122	0.085	
8'	0.075	0.051	
9'	0.053	0.026	
10'	0.035	0.016	
11'	0.015		
12'			
13'			
14'			
15'			
16'			

3W LED 2700K

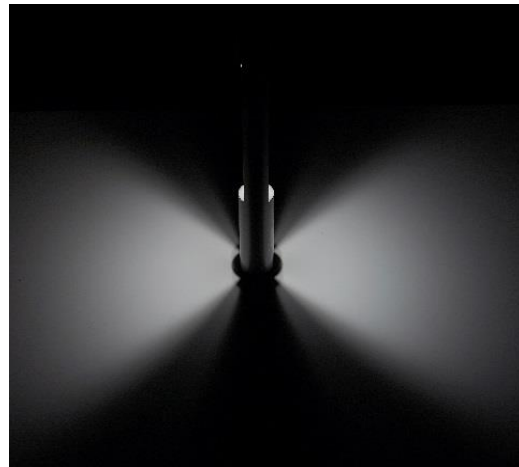
	0°	45°	90°
1'	8.29	3.191	No Measurable Light
2'	1.926	1.229	
3'	0.802	0.543	
4'	0.377	0.277	
5'	0.164	0.132	
6'	0.077	0.056	
7'	0.032	0.02	
8'	0.013	0.003	
9'			
10'			
11'			
12'			
13'			
14'			
15'			
16'			

5W LED 2700K

	0°	45°	90°
1'	11.09	3.525	No Measurable Light
2'	2.919	1.423	
3'	1.165	0.635	
4'	0.535	0.325	
5'	0.245	0.155	
6'	0.118	0.073	
7'	0.062	0.035	
8'	0.031	0.011	
9'	0.02		
10'	0.01		
11'			
12'			
13'			
14'			
15'			
16'			

8W LED 2700K

	0°	45°	90°
1'	15.01	3.8	No Measurable Light
2'	3.45	1.864	
3'	1.481	0.83	
4'	0.687	0.426	
5'	0.296	0.202	
6'	0.148	0.104	
7'	0.076	0.056	
8'	0.046	0.034	
9'	0.031	0.012	
10'	0.021		
11'	0.004		
12'			
13'			
14'			
15'			
16'			



Actual photo of light pattern
Looking down on fixture

