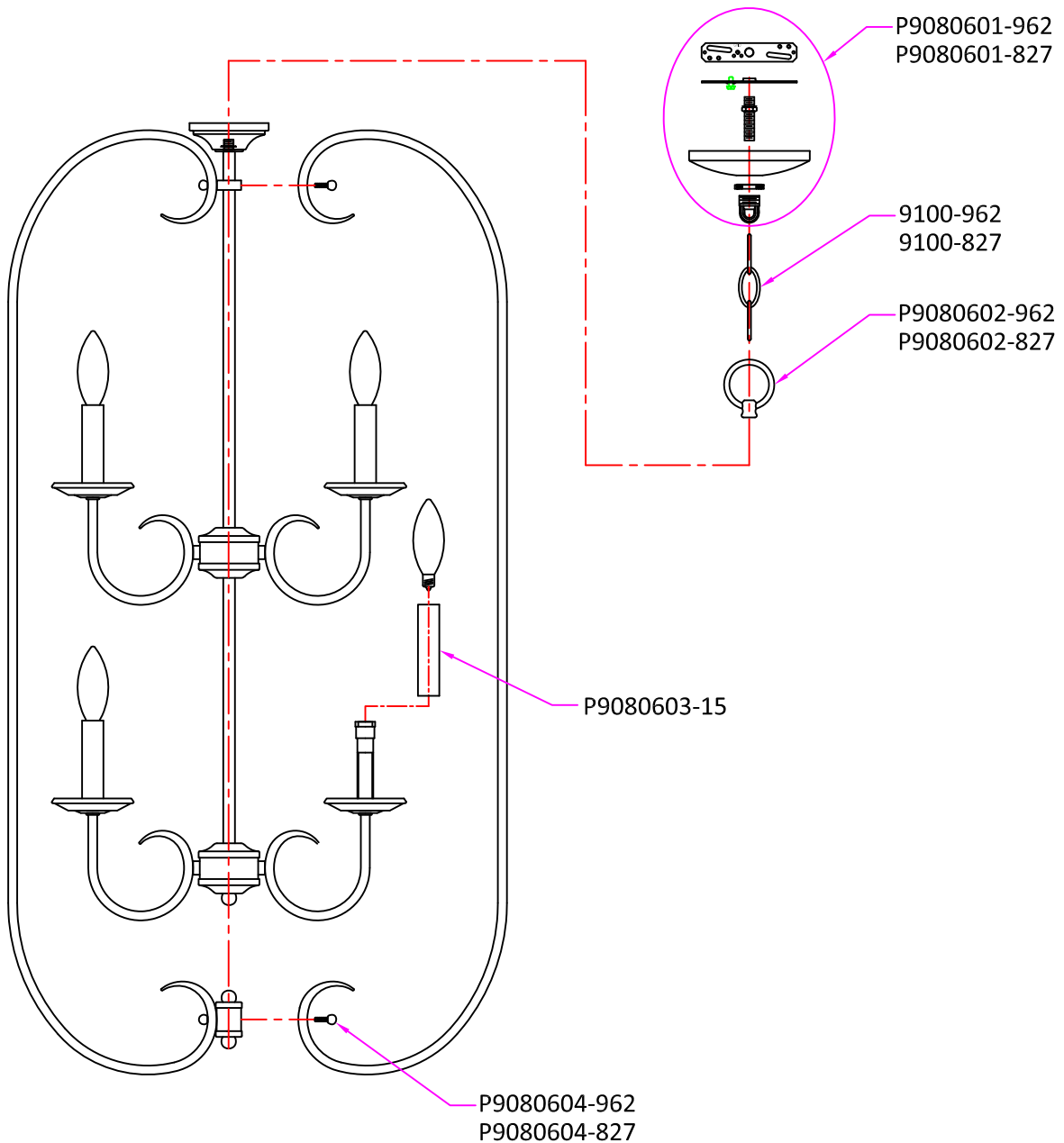


# Replacement Parts

## 51807



Qty.	Part #	Description
	P9080601-xxx	Canopy Kit, including mounting bar/nipple/hex nut/washer/canopy/screw collar
	9100-xxx	Standard Chain, 3.2mm thick, 72" long
	P9080602-xxx	Fixture Loop with 1/8 thread, Ø2 1/16"
	P9080603-15	Candle tube, Ø7/8", 3 3/4" long, white
	P9080604-xxx	Ball cap screw, Ø3/8", #8-32, 17/32" long (6pcs)

\* Note: -xxx: Represents different finish and optional.  
Available finish please see P/N shown in the drawing or catalog.

**Sea Gull Lighting®**

*Life Illuminated* | Since 1919

[www.SeaGullLighting.com](http://www.SeaGullLighting.com)