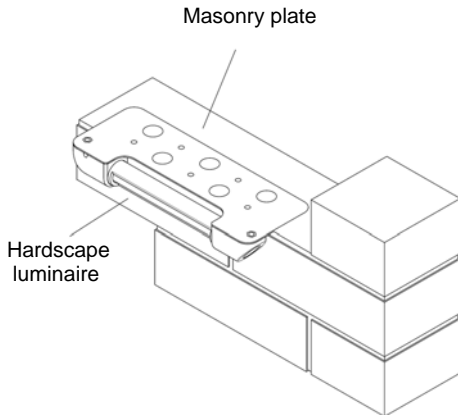


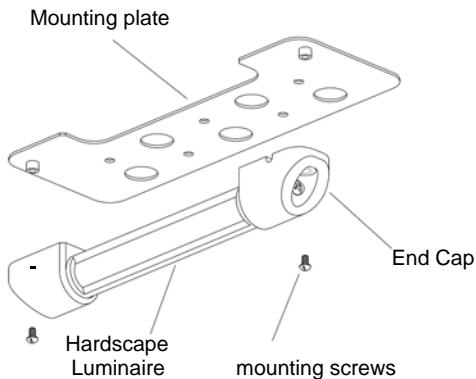


# HINKLEY® LANDSCAPE LIGHTING

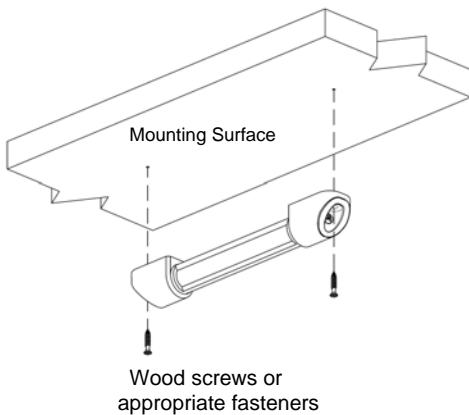
## Masonry Mounting



## Mounting Plate Removal



## Direct Surface Mounting



# Hardscape Installation Instructions

## Low Voltage Hardscape Series

Model: 15440BZ 4.5 watt LEDs / 6.74VA  
15442BZ 8.5 watt LEDs / 12.4VA

12 volt AC or 15 volt DC input required.

Dimmable on primary side of the transformer with magnetic dimmer control.



**SAFETY WARNING: TURN POWER SUPPLY OFF DURING INSTALLATION. IF NEW WIRING IS REQUIRED, CONSULT A QUALIFIED ELECTRICIAN OR LOCAL AUTHORITY FOR CODE REQUIREMENTS.**

**IMPORTANT OPERATION NOTE:** THIS LUMINAIRE IS DESIGNED TO BE OPERATED WITH HINKLEY APPROVED 12 VOLT AC SYSTEMS OR NEXUS 15 VOLT DC SYSTEMS.

## SAVE THESE INSTRUCTIONS

### LUMINAIRE MOUNTING:

1. To prevent electrical shock, disconnect transformer from electrical supply before installation or service.
2. Run wire to Luminaire according to local building practices before installation. The Fixture is provided with a mounting plate to ease installation.
3. Strip the two wire leads from the Luminaire and connect to the main supply wire using the wirenuts and silicone fill provided (reference wiring instructions from transformer or power supply).

### For Masonry Installation:

4. Locate desired position of luminaire and set in place with mortar. Luminaire mounting plate should be set into mortar between bricks.

**Design Suggestion:** mounting the LED element farther from the surface you wish to illuminate will provide better coverage.

### For Direct Surface Mount:

5. Locate desired position of the luminaire. Remove and discard mounting plate. Hold luminaire in position and drill two pilot holes into surface where fixture will be attached.
6. Using the appropriate fasteners or screws (not supplied) for your surface, secure fixture in place as shown in the illustration.
7. Your luminaire is ready to energize.

**Adjust light following direction below.**

### LIGHT ADJUSTMENT:

1. Using a Philips head screwdriver loosen the screws inside both of the End-caps one turn in a counter clockwise direction.
2. Rotate the fixture body until the desired lighting effect is achieved.
3. Tighten the end cap screws until snug using a Philips head screw driver.

