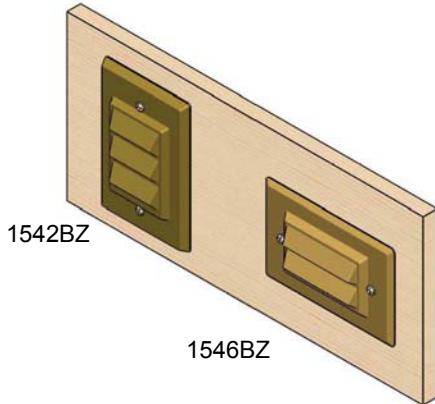


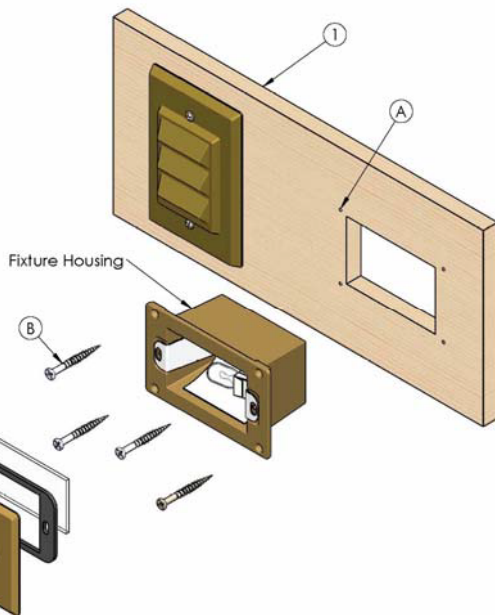
## Mounting Instructions

Family: 12v Series Deck Light Item No. 1542BZ/1546BZ



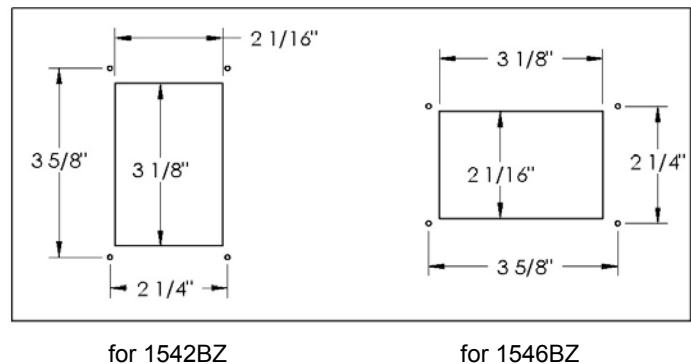
**Drawing 1**

1. Locate **drilling template (page 2)** and attach to area to be drilled **(1)**. Drill four **#39 pilot holes (A)** according to dimensions on template.
2. Cut a 3-1/8" long x 2-1/16" wide center opening for fixture housing. Reference **Drawing 3** (not to scale).
3. Ensure all wiring is completed according to NEC electrical code. Make appropriate wire connections to supply wire using connectors rated for the desired location.
4. Slide fixture assembly into opening and attach using four **No8 x 1" long wood screws (B)** (not provided).
5. You may now install the lamp into fixture.
6. Attach fixture face **(C)** to housing using the supplied **No8-32 Philips head screws (D)** provided with fixture.

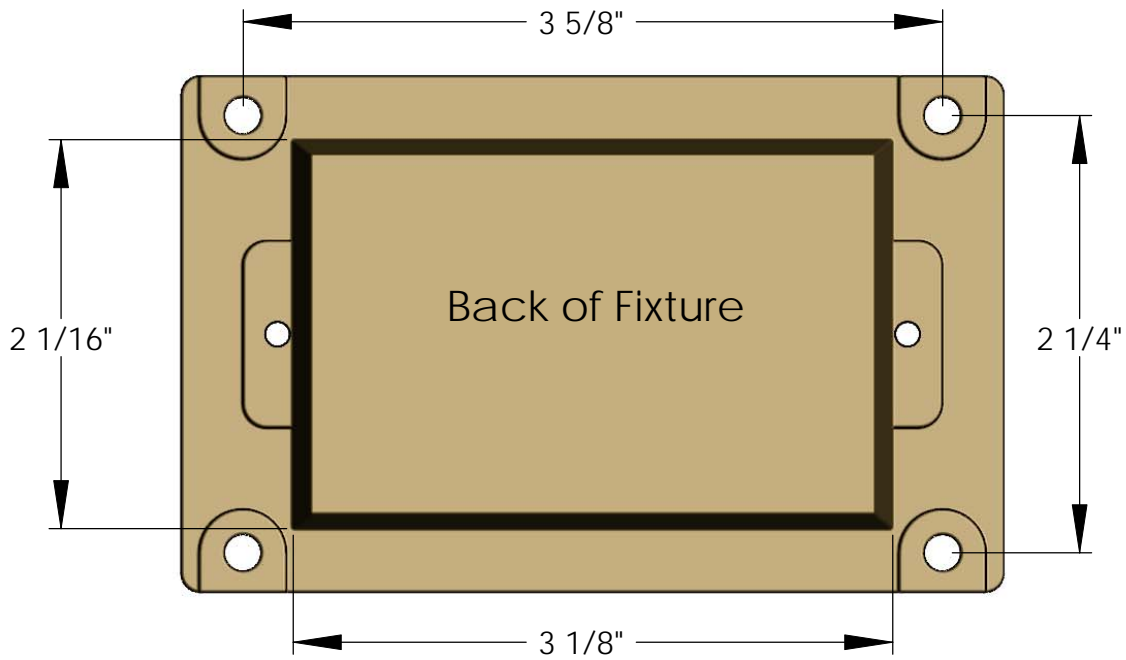


**Drawing 2**

Hole orientation in mounting surface

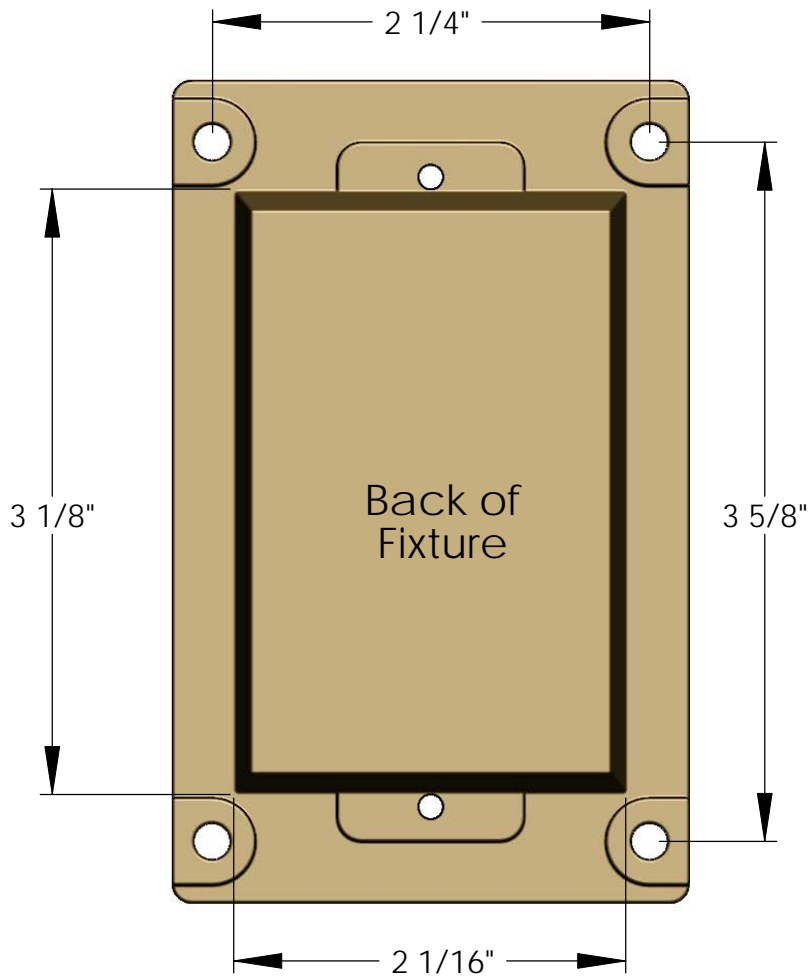


**Drawing 3** (not to scale)



Drilling Template for 1546BZ  
Full Scale

---



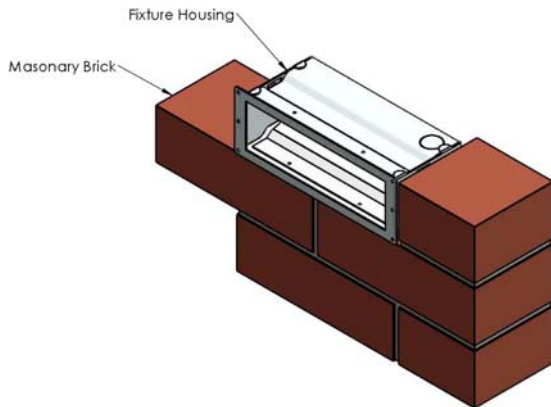
Drilling Template for 1542BZ  
Full Scale

## Brick & Concrete Installation Instructions

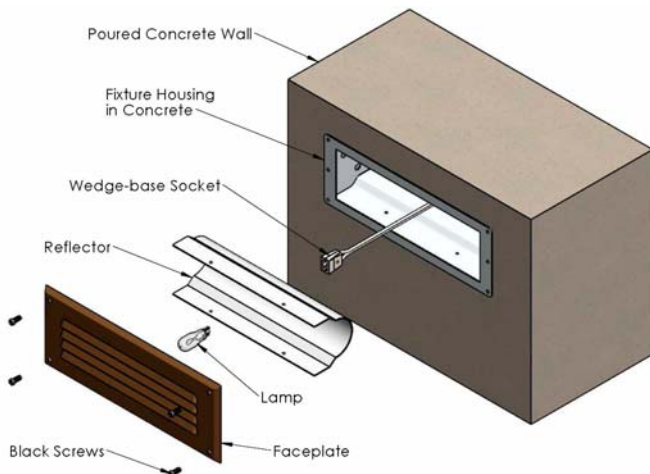
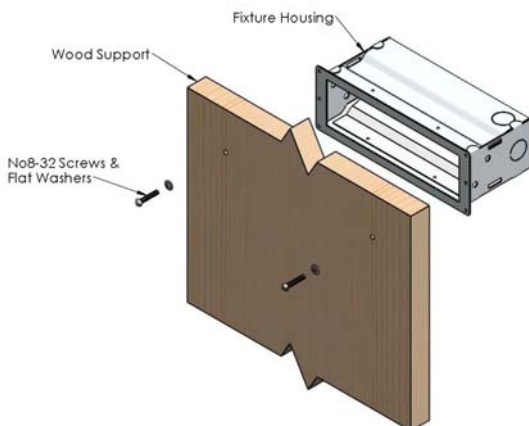
Deck & Step Light (1546, 1542, 1594)  
Low Voltage Bricklight



### Brick Mounting



### Concrete Mounting



**SAFETY WARNING: TURN POWER SUPPLY OFF DURING INSTALLATION. IF NEW WIRING IS REQUIRED, CONSULT A QUALIFIED ELECTRICIAN OR LOCAL AUTHORITY FOR CODE REQUIREMENTS.**

**IMPORTANT OPERATION NOTE:** THIS LIMINAIRE IS DESIGNED TO BE OPERATED WITH HINKLEY APPROVED 12 VOLT AC SYSTEMS.

### SAVE THESE INSTRUCTIONS

#### LUMINAIRE MOUNTING:

1. To prevent electrical shock, disconnect transformer from electrical supply before installation or service.
2. Run wire to Luminaire with use of conduit before installation. The Fixture is provided with three 1/2" NPT conduit knockouts. Ensure that all non-used open holes are closed or covered before beginning installation.
3. Strip the two wire leads from the Luminaire and connect to the main supply wire using the provided wirenuts and silicone fill.

#### For Masonry Installation:

4. Locate desired position of fixture and set in place with mortar. Fixture should take the place of a standard masonry brick.

#### For Poured Concrete Installation:

5. Level the supplied template on wood support frame and drill two 3/16" diameter clearance holes. Attach fixture to wood support using two No8-32 screws and washers (not supplied) as shown in illustration.
6. For a more protected installation, it is recommended to wrap fixture housing in tar paper or masonry underlayment.
7. Pour Concrete
8. Once concrete has set, remove the wood support frame and lamp accordingly and then attach the fixture faceplate with the four Black screws provided with fixture.

#### LAMP REPLACEMENT:

1. Remove the four Black oxide screws from the faceplate using a Philips head screwdriver.
2. Set faceplate aside for reuse in assembly.
3. Remove burned out light bulb and replace with new bulb.
4. Reattached faceplate and energize fixture.