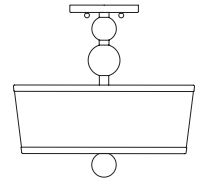


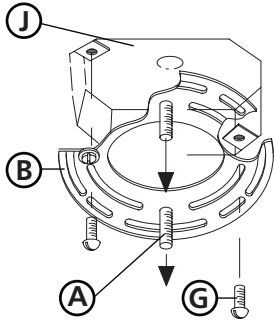
Item No. 3441

T24 JA8-2016

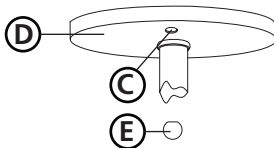


▼ start here

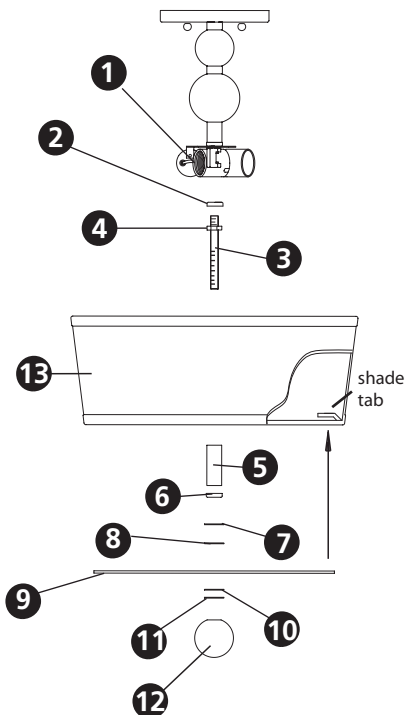
Drawing 1 Strap Detail



Drawing 2 Fixture Mounting



Drawing 3 - Glass Installation



1

1. Find a clear area in which you can work.
2. Unpack fixture and glass from carton.
3. Carefully review instructions prior to assembly.

2

1. To assemble main body of fixture, first thread hex nut (4) onto end of center stem (3) approximately 3/8".
2. Slip cap (2) onto end of center stem (3) and over the hex nut (4) added previously.
3. Thread the 3/8" of exposed thread of center stem (3) above cap (2) into coupler (1) located in the center of the socket assembly.
4. Tighten hex nut (4) against cap (2) to secure center stem (3).
5. Slip tube (5) over center stem (3) followed by cap (6).
6. Slip steel washer (7) followed by rubber washer (8) onto end of center stem (3). Friction of rubber washer will hold parts in place. Fixture is ready for installation.

3

1. Prepare mounting strap (B) for mounting by installing screws (A) into mounting plate (B) - see Drawing 1.
 - Be sure the holes into which the screws are threaded match the spacing of holes (C) in the canopy (D) - see Drawings 1 and 2.
2. Attach mounting plate (B) to junction box (J), using screws (G) provided and slip supply wires through large center hole.

SAFETY WARNING: READ WIRING AND GROUNDING INSTRUCTIONS (I.S. 18) AND ANY ADDITIONAL DIRECTIONS. TURN POWER SUPPLY OFF DURING INSTALLATION. IF NEW WIRING IS REQUIRED, CONSULT A QUALIFIED ELECTRICIAN OR LOCAL AUTHORITIES FOR CODE REQUIREMENTS.

4

Make electrical connections from supply wire to fixture lead wires. Refer to instruction sheet (I.S. 18) and follow all instructions to make all necessary wiring connections.

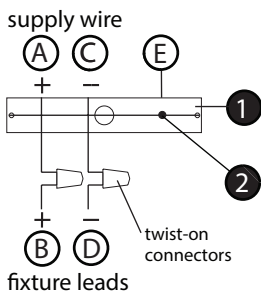
5

1. Hang the fixture by slipping canopy (D) over screws (A) and hold in position - see Drawings 1 and 2.
2. Thread ball knobs (E) onto end of screws (A) and tighten to secure fixture to ceiling.

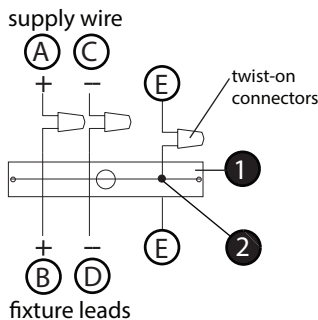
6

1. After fixture body is installed, slip glass (9) onto center stem (3) and hold in position.
2. Slip rubber washer (10) and thread on ring nut (11) onto center stem (3) to secure glass.
3. Thread thread decorative ball (12) onto center stem (3) and tighten.
4. Slip shade (13) over glass and set tabs inside shade onto top of glass. Center shade on glass.

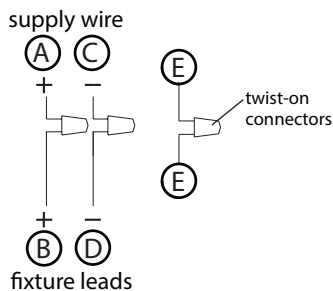
Drawing 1 - Flush Mount



Drawing 2 - Chain Hung



Drawing 3 - Post-Mount



SAFETY WARNING: READ WIRING AND GROUNDING INSTRUCTIONS (I.S. 18) AND ANY ADDITIONAL DIRECTIONS. TURN POWER SUPPLY OFF DURING INSTALLATION. IF NEW WIRING IS REQUIRED, CONSULT A QUALIFIED ELECTRICIAN OR LOCAL AUTHORITIES FOR CODE REQUIREMENTS.

wiring instructions

Indoor Fixtures

1. Connect positive supply wire (A) (typically black or the smooth, unmarked side of the two-conductor cord) to positive fixture lead (B) with appropriately sized twist on connector - see Drawings 1 or 2.
2. Connect negative supply wire (C) (typically white or the ribbed, marked side of the two-conductor cord) to negative fixture lead (D).
3. Please refer to the grounding instructions below to complete all electrical connections.

Outdoor Fixtures

1. Connect positive supply wire (A) (typically black or the smooth unmarked side of the two-conductor cord) to positive fixture lead (B) with appropriately sized twist on connector - see Drawings 2 or 3.
2. Connect negative supply wire (C) (typically white or the ribbed, marked side of the two-conductor cord) to negative fixture lead (D).
3. Cover open end of connectors with silicone sealant to form a watertight seal. If installing a wall mount fixture, use caulk to seal gaps between the fixture mounting plate (backplate) and the wall. This will help prevent water from entering the outlet box. If the wall surface is lap siding, use caulk and a fixture mounting platform specially.
4. Please refer to the grounding instructions below to complete all electrical connections.

grounding instructions

Flush Mount Fixtures

For positive grounding in a 3-wire electrical system, fasten the fixture ground wire (E) (typically copper or green plastic coated) to the fixture mounting strap (1) with the ground screw (2) - see Drawing 1. Note: On straps for screw supported fixtures, first install the two mounting screws in strap. Any remaining tapped hole may be used for the ground screw.

Chain Hung Fixtures

Loop fixture ground wire (E) (typically copper or green plastic coated) under the head of the ground screw (2) on fixture mounting strap (1) and connect to the loose end of the fixture ground wire directly to the ground wire of the building system with appropriately sized twist-on connectors - see Drawing 2.

Post-Mount Fixtures

Connect fixture ground wire (E) (typically copper or green plastic coated) to power supply ground with appropriately sized twist-on connector inside post. Cover open end of connector with silicone sealant to form a watertight seal - see Drawing 3.