

1. Unpack fixture and find a clear area to work. Using Drawing 1 and the instruction sheets provided identify all fixture components. Read through all instructions prior to starting assembly.

2. Start assembly by slipping candle sleeves (2) over socket (A).

Fixture at this point can be mounted to the post. Please follow all mounting instructions provided. After installation return to this section of the instruction sheet to complete assembly.

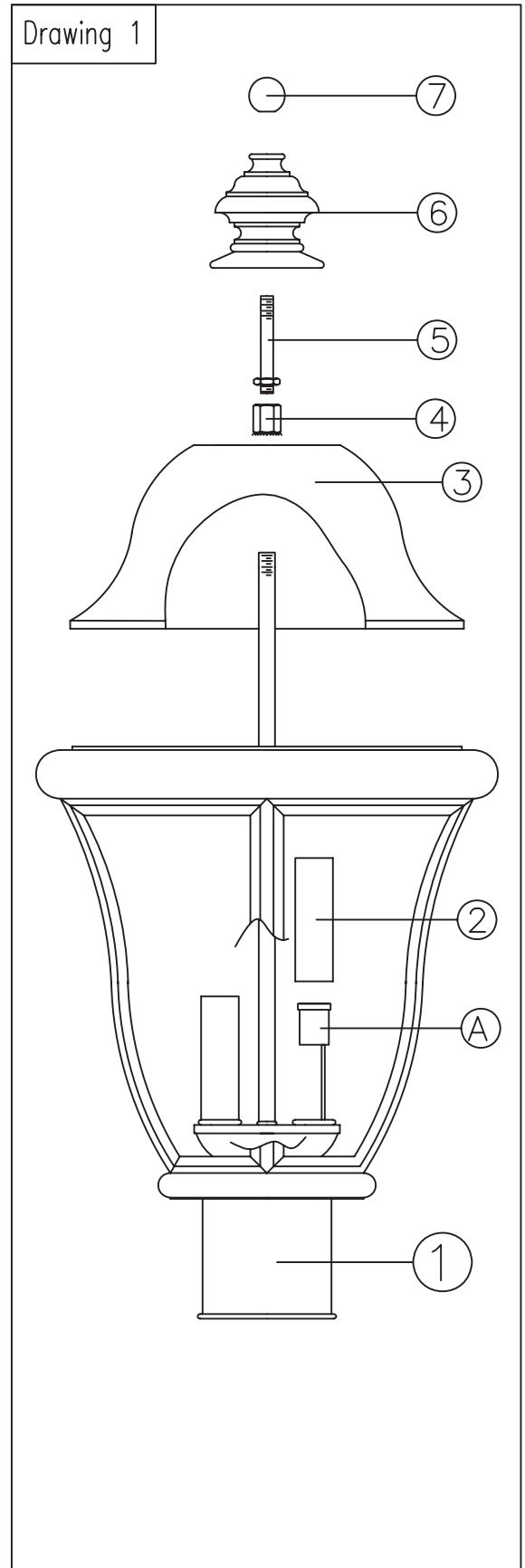
3. Slip roof (3) onto center stem (B) and down onto top of main fixture body (1).

4. Slip lockwasher and thread coupler (4) onto center stem (B) and tighten to secure roof.

5. Thread top center stem (5) into top of coupler (4) approximately $\frac{1}{4}$ ". Tighten hex nut down onto top of coupler (4).

6. Slip finial (6) onto top center stem (5).

7. Thread on top knob (7) to complete assembly.

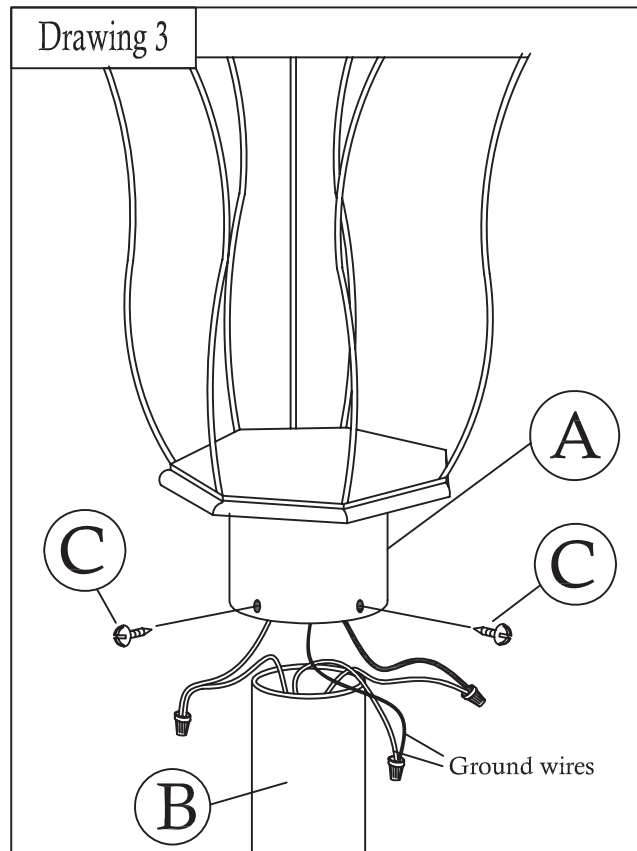


Mounting Instruction

Use Drawing 3 for reference.

NOTE: Make sure all electrical power to pole is shut off prior to wiring fixture.

1. Fixture is mounted using 3 - sheet metal screws.
2. Make all necessary electrical connects following wiring instructions below.
3. After wiring connections are complete. Slip post fitter (A) over pole (B). Making sure all wire connections are tucked inside the pole. When fixture is slipped over pole make sure no wires are being pinched between the top edge of the pole and the inside of the post fitter.
4. Taking the 3 set screws (C) threaded them into pre tapped hole in post fitter (A). Tighten with an allen wrench (not included).



I.S. 18

Wiring & Grounding Instructions

SAFETY WARNING: Read wiring and grounding instructions and any additional installation directions. Turn power supply off during installation. If new wiring is required, consult a qualified electrician or local authority for code requirements.

WIRING INSTRUCTIONS (INDOOR FIXTURES): Connect positive supply wire (black or red) to positive fixture lead with appropriately sized twist-on connector. Connect negative (white) supply wire to negative fixture lead.

WIRING INSTRUCTIONS (OUTDOOR FIXTURES): Connect positive supply wire (black or red) to positive fixture lead with appropriately sized twist-on connector. Connect negative (white) supply wire to negative fixture lead. Cover open end of connectors with silicone sealant to form a watertight seal. If installing a wall-mount fixture, use caulk to seal gaps, between the fixture mounting plate (backplate) and the wall. This will help prevent water from entering the outlet box. If the wall surface is lap siding, use caulk and a fixture mounting platform specially designed for lap siding.

IDENTIFICATION OF FIXTURE LEADS:

POSITIVE: Black, or with woven plain cloth cover or smooth and unmarked side of two-conductor cord.

NEGATIVE: White, or with woven cloth cover with tracer, or with ribbed or printed side of two conductor cord.

GROUNDING INSTRUCTIONS:

FOR FLUSH-MOUNT FIXTURES: For positive grounding in a 3-wire electrical system, fasten the system ground to the fixture mounting strap with the green ground screw. Note: On straps for screw supported fixtures, first install the two mounting screws in strap. Any remaining tapped hole may be used for the ground screw.

FOR CHAIN HUNG FIXTURES: Loop fixture ground wire under the head of the ground screw on mounting strap, and connect the loose end of the fixture ground wire directly to the ground wire of the building system, with appropriately sized twist-on connectors.

FOR POST-MOUNT FIXTURES: Connect fixture ground to power supply ground with appropriately sized twist-on connector inside post. Cover open end of connector with silicone sealant to form a watertight seal.

WIRING DIAGRAMS:

