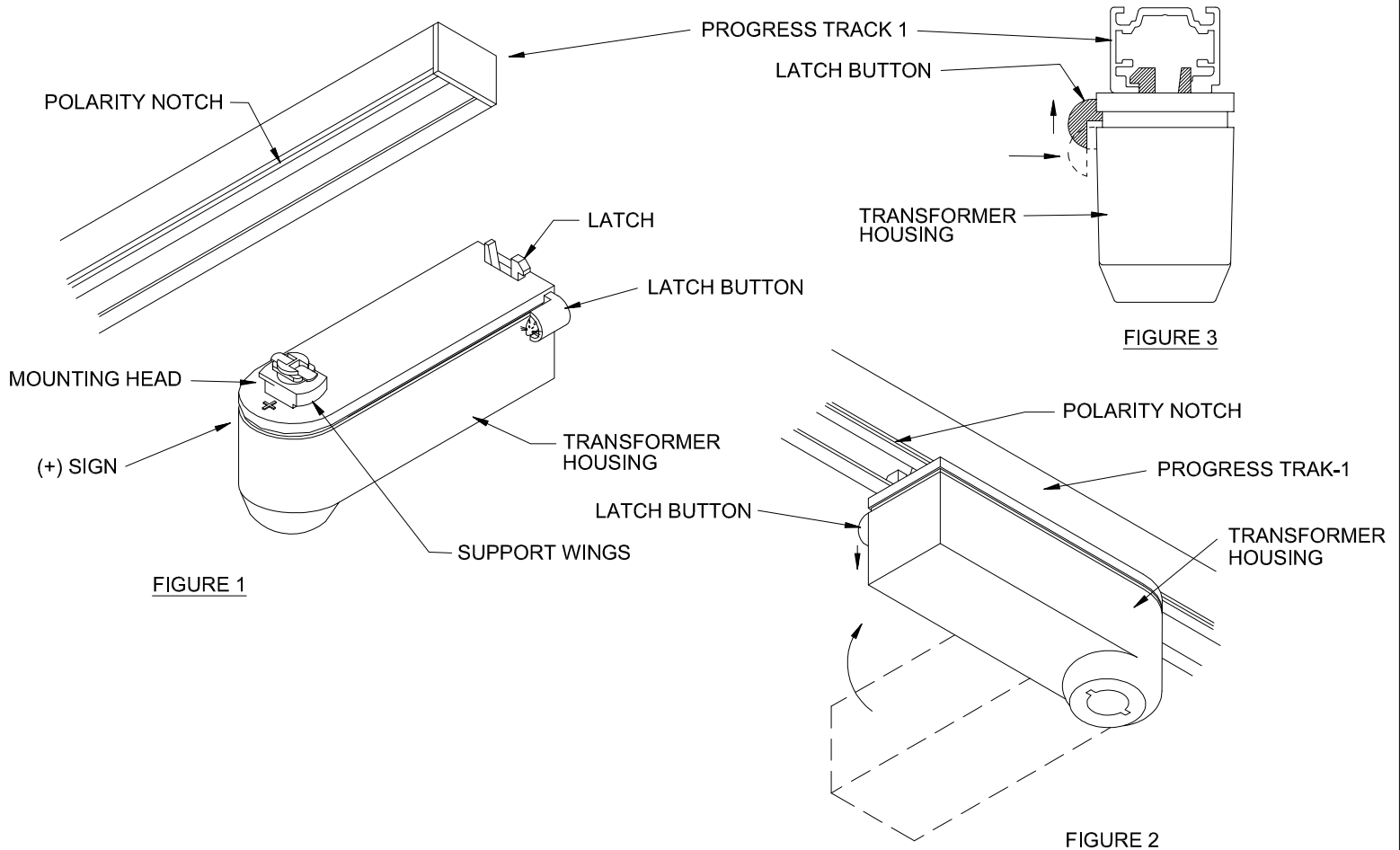


CAUTION: Read instructions carefully and turn electricity off at main circuit breaker panel before beginning installation.

8516

WARNING - This product contains chemicals known to the State of California to cause cancer, birth defects and /or other reproductive harm. Thoroughly wash hands after installing, handling, cleaning, or otherwise touching this product.

1. THIS IS A 12 VOLT STEP-DOWN TRANSFORMER. IT MUST BE MOUNTED ONLY TO PROGRESS TRAK-1 TRACK CONNECTED TO A 120V-60HZ ELECTRICAL SUPPLY.
2. THIS TRANSFORMER IS DESIGNED FOR USE WITH A PROGRESS 12 VOLT LAMPHOLDER. WHEN SELECTING A LAMP FOR THE LAMPHOLDER, DO NOT EXCEED THE MAXIMUM LAMP WATTAGE NOTED ON THE TRANSFORMER.
3. IF ANY SPECIAL CONTROL DEVICES ARE USED WITH THIS FIXTURE, FOLLOW THE INSTRUCTIONS CAREFULLY TO ASSURE FULL COMPLIANCE WITH N.E.C. REQUIREMENTS. IF THERE ARE ANY QUESTIONS, CONTACT A QUALIFIED ELECTRICAL CONTRACTOR.
4. THIS EQUIPMENT GENERATES AND USES RADIO FREQUENCY ENERGY, AND IF NOT INSTALLED PROPERLY, MAY CAUSE INTERFERENCE TO RADIO AND TELEVISION RECEPTION. IF THIS HAPPENS, THE USER IS ENCOURAGED TO TRY TO CORRECT OR MINIMIZE THE INTERFERENCE BY RELOCATING AND/OR REORIENTING THE EQUIPMENT INVOLVED



- 1.- NOTE THAT ONE SIDE OF THE TRACK HAS A POLARITY NOTCH. POSITION MOUNTING HEAD WITH SUPPORT WINGS PARALLEL TO TRACK, WITH (+) SIGN ON SAME SIDE AS POLARITY NOTCH IN TRACK (SEE FIGURE 1.)
- 2.- PUSH MOUNTING HEAD FIRMLY UP INTO TRACK AND ROTATE TRANSFORMER ASSEMBLY COUNTER-CLOCKWISE. PRESS LATCH BUTTON INWARD AND DOWN AND CONTINUE ROTATION UNTIL UNIT IS PARALLEL TO TRACK (SEE FIGURE 2).
- 3.- PRESS LATCH BUTTON INWARD AND UP UNTIL LATCH IS FIRMLY ENGAGED IN TRACK (SEE FIGURE 3).
- 4.- INSTALL LAMPHOLDER ACCORDING TO INSTRUCTIONS FURNISHED WITH LAMPHOLDER.