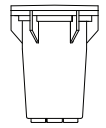
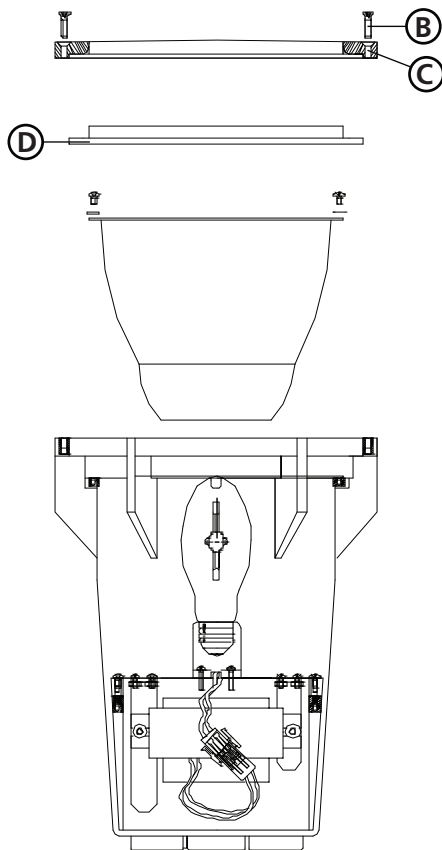


Family: 120V Series Large Well Light | Item No. 52000 BZ

## ▼ start here



### Drawing 1 - Lamp Installation



1

1. Find a clear area in which you can work.
2. Carefully review instructions prior to assembly.
3. Gather tools required: **WIRE STRIPPERS, PHILIPS HEAD SCREWDRIVER, SILICONE GREASE, THREAD SEALANT.**
  - Save these instructions for future reference.

**WARNING: LUMINAIRE MUST BE INSTALLED AND GROUNDED IN ACCORDANCE WITH THE NATIONAL ELECTRICAL CODE (NEC) AND LOCAL CODES. FOR PORTABLE STAKE OR SUFACE MOUNT USING A CORD AND PLUG, THE LUMINAIRE MUST BE PLUGGED INTO A RECEPTACLE PROTECTED BY A GROUND FAULT CIRCUIT INTERRUPTER (GFI). FAILURE TO DO SO MAY RESULT IN SERIOUS INJURY AND/ OR DAMAGE TO THE LUMINAIRE.**

**ALWAYS USE UL RECOGNIZED WIRE CONNECTORS FOR CONNECTIONS.**

**SAFETY WARNING: LUMINAIRE CAN BECOME VERY HOT DEPENDING ON THE LAMP WATTAGE USED. LENS AND HOUSING AROUND THE LAMP CAN BECOME HOT ENOUGH TO BLISTER HANDS. PARTICULAR CARE SHOULD BE TAKEN NOT TO LOCATE LUMINAIRES WHERE SMALL CHILDREN CAN REACH THEM IF HIGH WATTAGE LAMPS ARE USED.**

**IN GROUND LUMINAIRE IS ETL LISTED FOR BELOW GRADE INSTALLATION ONLY.**

2

1. Please refer to the **mounting instructions** located on the back of this sheet to continue installation of this fixture.

3

## lamp installation | replacement

1. To prevent electrical shock, disconnect from the electrical supply before servicing.
2. Loosen the cover screws **(B)** and remove cover **(C)**.
3. Remove lens with gasket assembly **(D)** to expose lamp.
4. Replace lamp with correct wattage and type marked on fixture label.  
CAUTION: DO NOT EXCEED MAXIMUM WATTAGE MARKED ON LUMINAIRE LABEL.
5. Clean the gasket **(D)** and gasket channel.
6. Re-install gasketed lens and cover **(C)**, follow by tightening the screws **(B)** evenly.

**MAINTENANCE NOTE: TO ASSURE PROPER OPERATION AND EFFICIENCY AND TO PREVENT LUMINAIRE OVERHEATING, LENS MUST BE KEPT CLEAN AND FREE OF DIRT, LEAVES, TRASH, AND MINERAL DEPOSITS FROM WATER. A REGULAR SCHEDULE MAINTENANCE PROGRAM IS RECOMMENDED.**

Info 52000 BZ: Lamp Type is R20, R30, R40, PAR20, PAR30, PAR38, Incandescent  
Maximum Wattage is 150 watts per bulb.

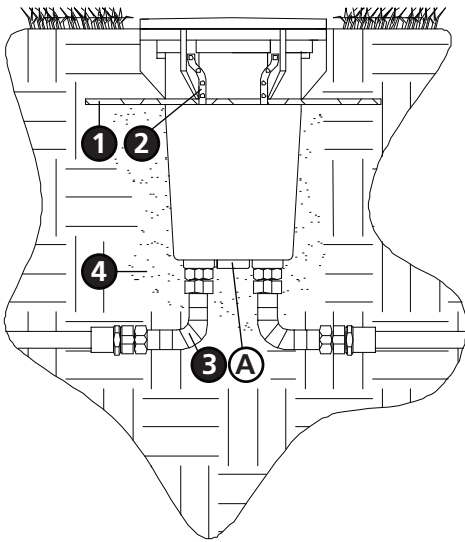
3.4.08



# mounting instructions

Family: 120V Series Small Well Light | Item No. 52000 BZ

**Drawing 2 - Fixture Mounting**



**1**

1. Determine which of the two mounting options are required and refer to the proper set of instructions below.

**2**

## In Ground Installation

1. Make sure electrical supply is off at the circuit breaker before starting luminaire installation or servicing.
2. If you are using an HID self reflector lamp in the luminaire an integrated ballast must be used. Ask your local Hinkley Lighting representative or visit [www.hinkleylighting.com](http://www.hinkleylighting.com) for information.
3. Dig hole approximately 16" deep by 15" in diameter - see **Drawing 2**.
4. Install conduit through the four 3/4" NPT holes (**A**) provided with this luminaire, using Teflon tape or other thread sealant.
5. Using plug provided, seal unused conduit entry if required.
  - Housing rim must be flush to 1/8" above finish grade to prevent water from accumulating on lens.
  - For a more secure installation, rebar bracing (**1**) is recommended. Drill a hole for a 1/4" bolt and nut in two of the stiffeners (**2**) located on the side of the luminaire. Attach perforated strap (plumber's tape) not provided to the drilled holes with 1/4" nuts and bolts not provided.
  - UL listed flexible conduit (**3**) is recommended for in and out connections to ease fixture position and adjustment during installation.
6. Backfill after installation with pea gravel or sand (**4**).  
Note: **DO NOT** fill with bark or other flammable material.
7. Pull supply wire (line in), through conduit into luminaire wire compartment.
8. Connect green ground wire from luminaire and green ground wire from the box to green supply wire.
9. Wire luminaire as required using silicone filled safety connectors provided.
10. Please refer back to the front of this sheet to install lamp and complete installation of this fixture.

**3**

## Concrete Pour Installation

1. Fit concrete - guard plugs not provided over eight bosses with threaded inserts beneath the flange in order to prevent poured concrete from back filling threaded holes and hindering a secure tight seal of the lens cover.  
Note: Failure to install concrete - guard plugs over bosses with threaded inserts will void product warranty.
2. Follow instructions 1 and 2 of in ground installation instructions above.
3. Support luminaire in selected position using standard masonry procedures.  
**Note: UL listed flexible conduit is recommended for in and out connections to ease fixture position and adjustment during installation.**
  - When installing in concrete housing rim must be flush to 1/8" above grade to promote water runoff.
4. Pull supply wires (line in), through conduit into luminaire wire compartment.
5. Connect green ground wire from luminaire and green ground wire from box to green supply wire.
6. Wire luminaire as required using silicone filled connectors.
7. Pour concrete at least 2" thick.
8. Please refer to the front of this sheet to install lamp and complete installation of this fixture.



**WARNING: TO REDUCE THE RISK OF FIRE, OR INJURY TO PERSONS:**

1. Turn off/unplug and allow to cool before replacing lamp.
2. Lamps get hot quickly! Contact only switch/plug when turning on.
3. Do not touch hot lens, guard or enclosure.
4. Keep lamp away from material that may burn.
5. Do not operate luminaire fitting with a missing or damaged cover.