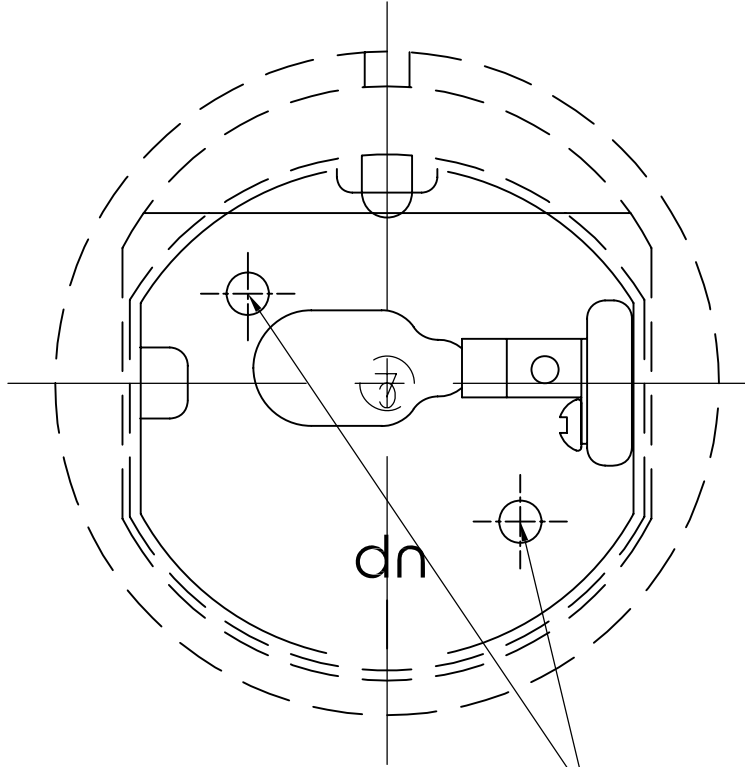


MOUNTING TEMPLATE FOR 1549

1. TAPE TEMPLATE IN LOCATION WHERE FIXTURE IS TO BE MOUNTED.
2. USING A 3/32" DIAMETER DRILL. DRILL TO HOLES AT POINTS INDICATED.
3. USING PAN HEAD WOOD SCREWS. SCREW THEM IN UNTIL THE BASE OF THE SCREW HEAD IS 3/16" FROM MOUNTING SURFACE (SEE SKETCH).

drill 3/32" dia holes at these points.



#8 PAN HEAD WOOD SCREW  
3/4" LONG (2) Reqd.

