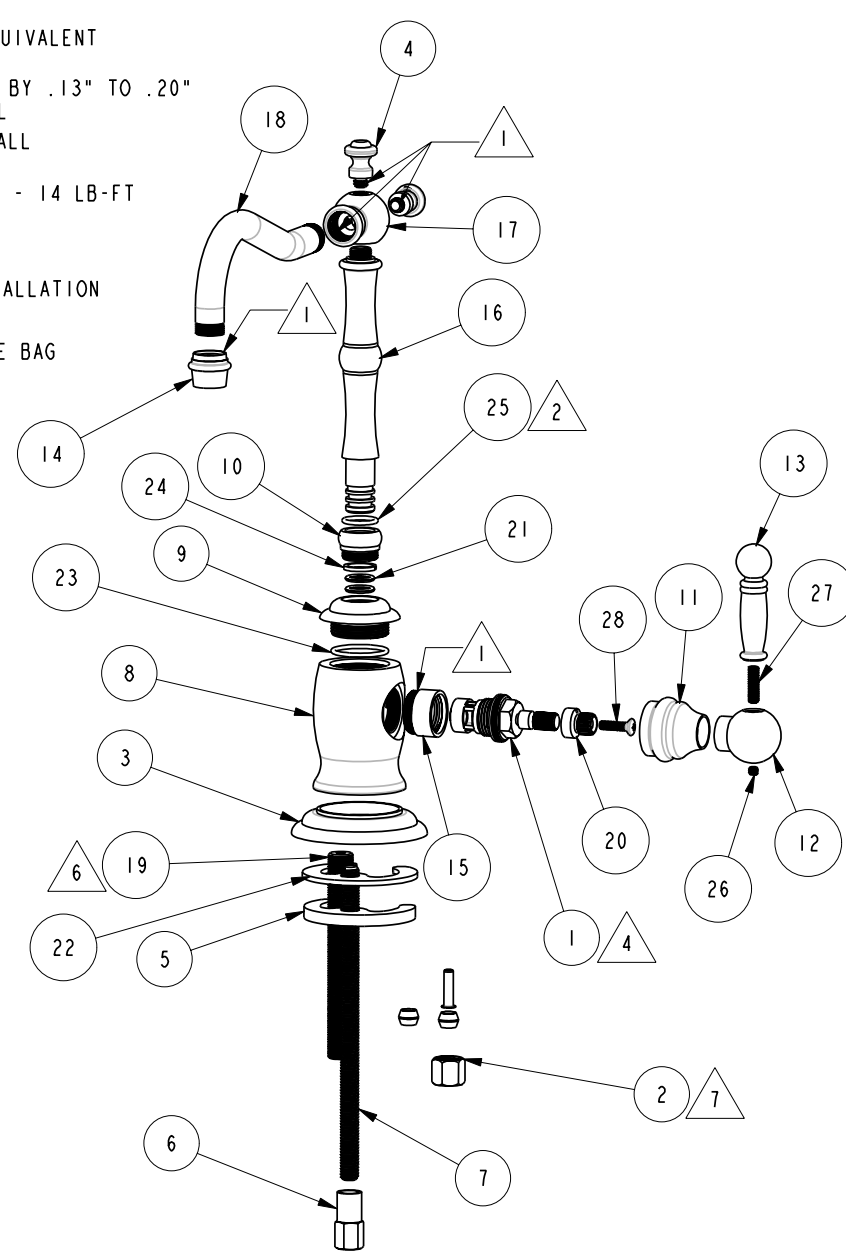


- 1 APPLY LOCTITE 680 OR EQUIVALENT
- 2 SLIT AND SHORTEN O-RING BY .13" TO .20" IN LENGTH BEFORE INSTALL
- 3 SLIT O-RING BEFORE INSTALL
- 4 INSTALLATION TORQUE: 11 - 14 LB-FT
- 5 WATER TEST WHOLE UNIT
- 6 SEE DETAIL 'A' FOR INSTALLATION ORIENTATION
- 7 BAG 5-007 IN A SEPARATE BAG



BILL OF MATERIAL (CURRENT LEVEL)				
ITEM	PT/ASSY	DESCRIPTION	TYPE	QTY.
1	1-134	3/8 CARTRIDGE, HOT, 1/4 TURN	PART	1
2	5-007	1/4 COMP KIT	ASSEMBLY	1
3	10117	ESCUTCHEON	PART	1
4	10306	SIDE FINIAL	PART	2
5	10514	MOUNTING CRESENT	PART	1
6	10516	MOUNTING NUT	PART	1
7	10661	MOUNTING STUD	PART	1
8	50703	WATER DISP. BODY (TRAD.)	PART	1
9	50705	WATER DISP BODY CAP	PART	1
10	50706	WATER DISP SPOUT RET RING	PART	1
11	50708	WATER DISP HDL BONNET (TRAD)	PART	1
12	50709	WATER DISP LEVER HUB (TRAD)	PART	1
13	50711	LEVER HANDLE	PART	1
14	50712	WATER DISP SPOUT SHELL	PART	1
15	50714	WATER DISP. CAR.T HOLDER	PART	1
16	50722	WATER DISP SPOUT RISER	PART	1
17	50723	WATER DISP BALL FITTING	PART	1
18	50724	TBE SPOUT 1/2" X 4 1/2"	PART	1
19	50760	NIPPLE WATER DISP	PART	1
20	50767	ADAPTER	PART	1
21	91017	O-RING #2-012	PART	2
22	91063	GASKE RBR, MOUNTING CRESENT	PART	1
23	91217	O-RING, (PARKER #2-020)	PART	1
24	91351	O-RING 7/16 X 9/16 SPL	PART	1
25	91383	O-RING, TEFLON, #2-014	PART	1
26	92000	SCREW 8 - 32 X 1/8 SS	PART	1
27	92192	SET SCREW 10-32 X 5/8"	PART	1
28	92193	SCREW, OVAL PHILLIPS, M4, 16MM	PART	1

COPYRIGHT 2005 BRASSTECH, INC. THESE DRAWINGS AND THE DESIGNS DEPICTED HEREIN ARE THE PROPRIETARY PROPERTY OF BRASSTECH. ANY USE OR REPRODUCTION IS SUBJECT TO THE EXPRESS APPROVAL OF BRASSTECH. UNAUTHORIZED USE IS STRICTLY PROHIBITED. ALL RIGHTS RESERVED.

BRASSTECH INCORPORATED
 2001 E. CARNEGIE AVE.
 SANTA ANA, CA 92705
 (949) 417-5207

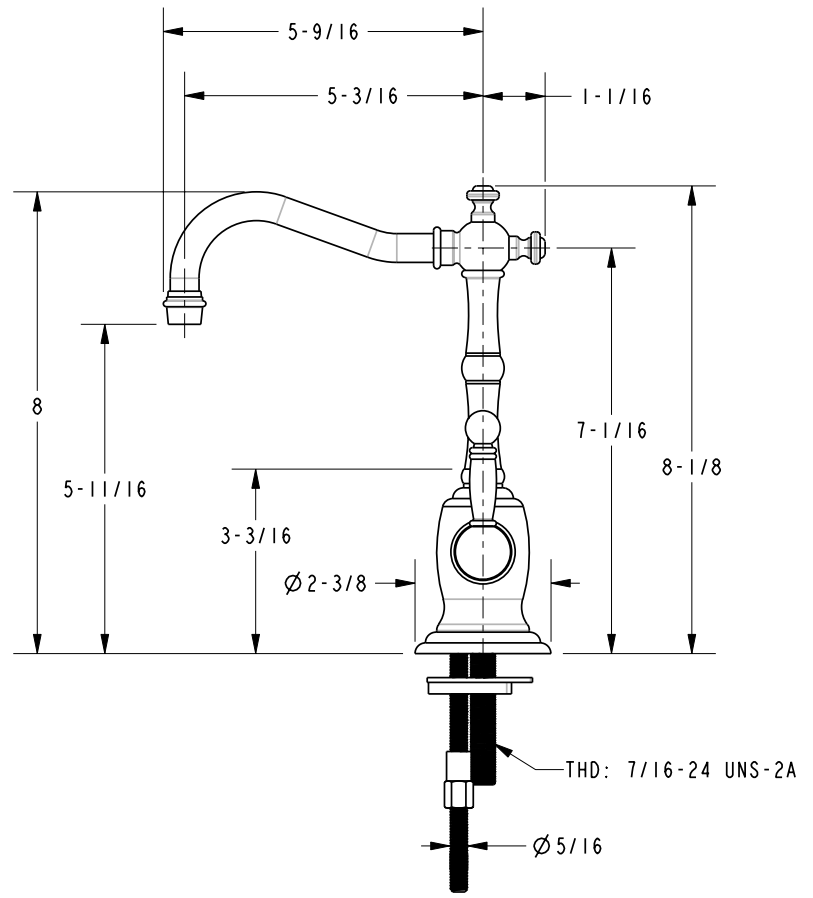
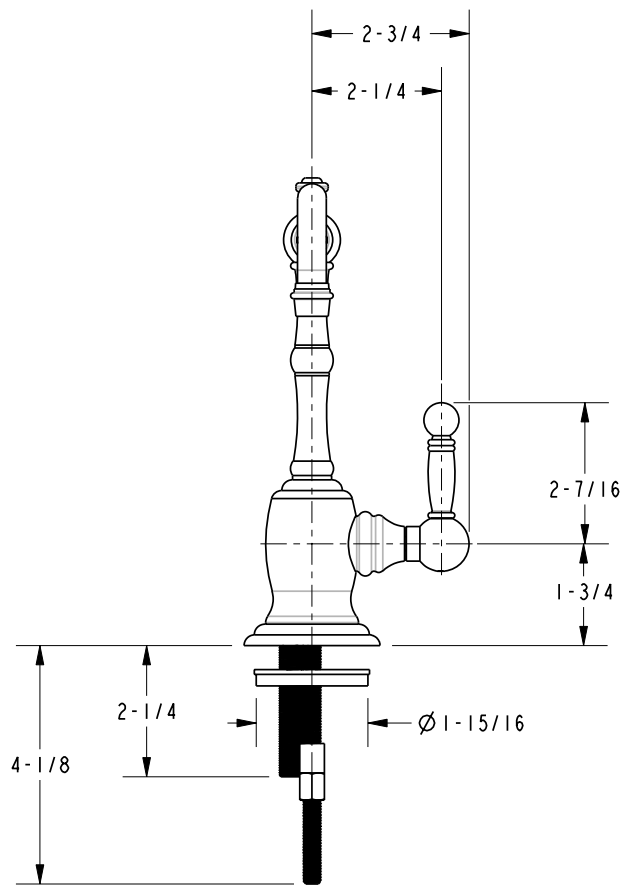
COLD WATER DISP, LEVER HANDLE

ASSY. NO. 108C

SCALE .300 REF. SHEET 1 OF 2

C	EO-0936	01/29/08
B	EO-0478	02/16/05
A	EO-0461	12/15/04
REV	REV DESC	DATE

SPECIFICATION DWG



DIMENSIONS ARE IN INCHES AND AN APPROXIMATION OF A TYPICAL INSTALLATION

COPYRIGHT 2005 BRASSTECH, INC. THESE DRAWINGS AND THE DESIGNS DEPICTED HEREIN ARE THE PROPRIETARY PROPERTY OF BRASSTECH. ANY USE OR REPRODUCTION IS SUBJECT TO THE EXPRESS APPROVAL OF BRASSTECH. UNAUTHORIZED USE IS STRICTLY PROHIBITED. ALL RIGHTS RESERVED.

BRASSTECH		2001 E. CARNEGIE AVE.	
INCORPORATED		SANTA ANA, CA 92705	
		(949) 417-5207	
DWG NO.	108C	REV	C
SCALE	.300	REF.	-
		SHEET	2 OF 2