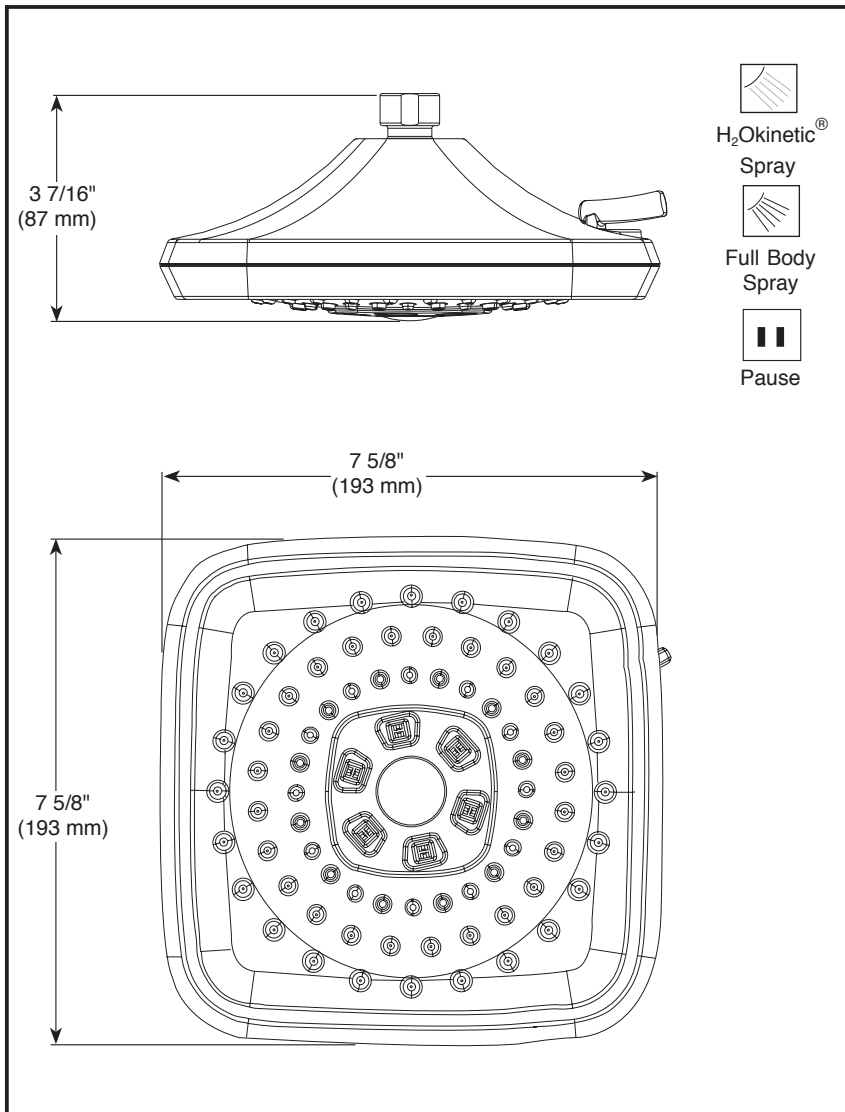




52690 ▲

Submitted Model No.: \_\_\_\_\_

Specific Features: \_\_\_\_\_



▲ Designate proper finish suffix



## SHOWERHEAD

- 3-Spray Setting Showerhead
- H<sub>2</sub>Okinetic<sup>®</sup> Showerhead
- Touch-Clean<sup>®</sup> Nozzles

### STANDARD SPECIFICATIONS:

- ABS showerhead with three settings – not a positive shut-off.
- Standard 1/2" pipe fitting.
- Easy-turn spray dial.
- Metal ball connector for durability. Easy installation.
- Maximum flow rate 2.0 gpm (706 L/min) @ 80 PSI.

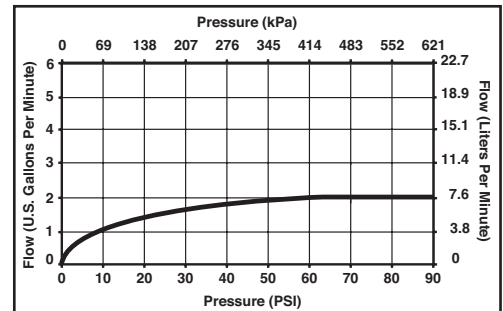
### WARRANTY

- Lifetime limited warranty on parts (other than electronic parts and batteries) and finishes; or, for commercial users, for 5 years from the date of purchase.



### COMPLIES WITH

- ASME A112.18.1 / CSA B125.1
- EPA WaterSense<sup>®</sup>



Delta reserves the right (1) to make changes in specifications and materials, and (2) to change or discontinue models, both without notice or obligation. Dimensions are for reference only. See current full-line price book or [www.deltafaucet.com](http://www.deltafaucet.com) for finish options and product availability.

DSP-B-52690 Rev. A



55 E. 111th Street, Indianapolis, Indiana 46280  
 350 South Edgeware Road, St. Thomas, Ontario Canada N5P 4L1  
 © 2014 Masco Corporation of Indiana