

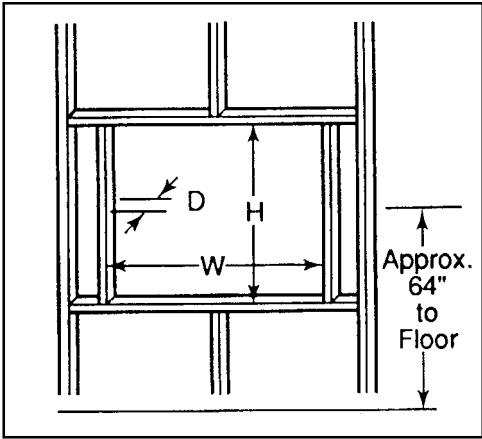
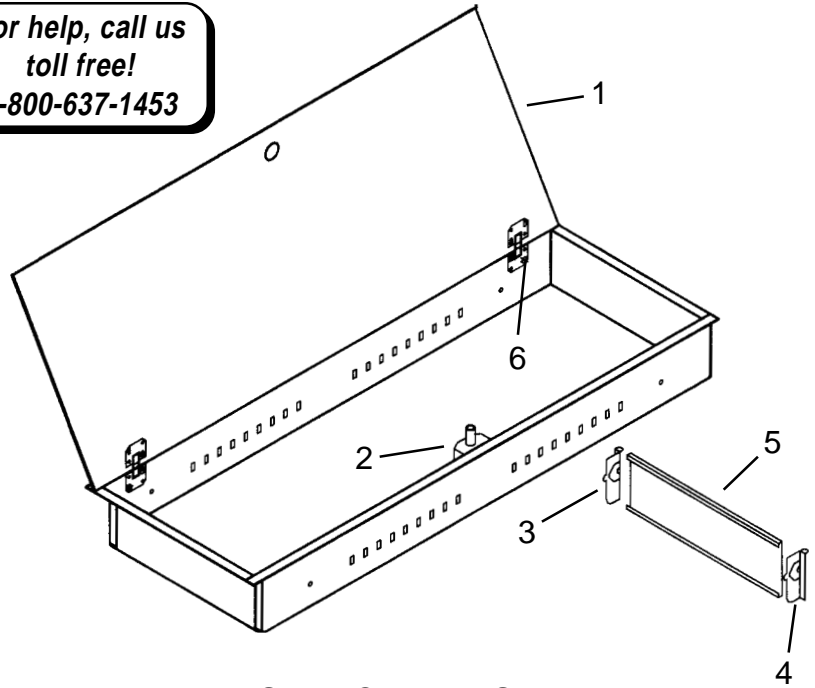


For help, call us
toll free!
1-800-637-1453

INSTALLATION INSTRUCTIONS

MIRROR CARE

- Use only mild cleaning solutions and a clean, soft, lint-free cloth.
- DO NOT USE cleaners that contain strong solutions of ammonia, vinegar, or chlorine.
- DO NOT USE powdered cleansers or steel wool.
- Never spray cleaning agent directly on mirror, especially on exposed edges and mirror backing. Apply cleaner to soft cloth and wipe mirror. Dry mirror thoroughly.
- Keep mirror dry. A well ventilated bathroom is important.



DIMENSION CHART

PART NO.	WALL OPENING		
	W	H	D
629	14"	34"	3½"
639BC	12"	34"	3½"

INSTALLATION

1. Carefully remove all packing material. Place shelves and hardware package aside until needed.
2. Determine desired location of cabinet on wall. Mark wall to show wall opening size (see dimension chart). Generally, the recommended height to the center of cabinet is 64" from the floor.
3. Cut wall opening, being careful not to damage the surrounding wall surface. Wall studs, plumbing or electrical lines that interfere must be removed or relocated. Insert framing to support all plaster board edges.
4. Insert cabinet into wall opening in plumb and centered position. Use a carpenter's level and shim corners of cabinet if necessary. Secure to wall studs through the 4 mounting holes inside cabinet (screws provided).
5. If necessary, mirror door can be adjusted in or out by loosening (Qty: 4) #10 SMS (Key No. 6) for the hinges. Position mirror door to be flush with surrounding surfaces and tighten down hinge screws.
6. Place shelf brackets (R/L) at desired height with stop towards the front of cabinet. Place shelves on brackets flat side up.

SERVICE PARTS

KEY NO.	PART NUMBER	DESCRIPTION	QTY.
1	A97014355P (629) A97014354P (639BC)	Door Assy. (Includes painted door, mirror, hinges, and magnetic catch)	1
2	7174	Push Button Latch	1
3	3333L	Left Hand Shelf Bracket	3
4	3333R	Right Hand Shelf Bracket	3
5	98009111 - (629) 98009112 - (639BC)	Shelf	3
6	A99220308	SMS #10 x 3/8" PH PN ZNC	4

WARRANTY

BROAN ONE YEAR LIMITED WARRANTY

Broan warrants to the original consumer purchaser of its products that such products will be free from defects in materials or workmanship for a period of one year from the date of original purchase. THERE ARE NO OTHER WARRANTIES, EXPRESS OR IMPLIED, INCLUDING, BUT NOT LIMITED TO, IMPLIED WARRANTIES OF MERCHANTABILITY OR FITNESS FOR A PARTICULAR PURPOSE.

During this one-year period, Broan will, at its option, repair or replace, without charge, any product or part which is found to be defective under normal use and service.

THIS WARRANTY DOES NOT EXTEND TO FLUORESCENT LAMP STARTERS AND TUBES. This warranty does not cover (a) normal maintenance and service or (b) any products or parts which have been subject to misuse, negligence, accident, improper maintenance or repair (other than by Broan), faulty installation or installation contrary to recommended installation instructions.

The duration of any implied warranty is limited to the one-year period as specified for the express warranty. Some states do not allow limitation on how long an implied warranty lasts, so the above limitation may not apply to you.

BROAN'S OBLIGATION TO REPAIR OR REPLACE, AT BROAN'S OPTION, SHALL BE THE PURCHASER'S SOLE AND EXCLUSIVE REMEDY UNDER THIS WARRANTY. BROAN SHALL NOT BE LIABLE FOR INCIDENTAL, CONSEQUENTIAL OR SPECIAL DAMAGES ARISING OUT OF OR IN CONNECTION WITH PRODUCT USE OR PERFORMANCE. Some states do not allow the exclusion or limitation of incidental or consequential damages, so the above limitation or exclusion may not apply to you.

This warranty gives you specific legal rights, and you may also have other rights, which vary from state to state. This warranty supersedes all prior warranties.

To qualify for warranty service, you must (a) notify Broan at the address stated below or telephone: 1-800-637-1453, (b) give the model number and part identification and (c) describe the nature of any defect in the product or part. At the time of requesting warranty service, you must present evidence of the original purchase date.

BROAN MFG. CO., INC., 926 West State Street, Hartford, WI 53027