

Jerritt Series

Low Consumption Two-Piece Toilet Vitreous China



Product Features



- Gravity fed (1.6gpf/6.0Lpf)
- Two-piece vitreous china
- 2" fully glazed trapway
- 6" x 5-1/4" (RF) / 7" x 6" (EL) water surface
- Anti-siphon fill valve
- Box rim
- Close coupled tank with cover
- Quick connect, 2 bolt tank to bowl installation
- 2" Flush valve
- Comes standard with a color matching trip lever
- Sanitary bar on all bowls
- Seat and supply not included
- Available in 10", 12", 14" RI
- Available with RH trip lever
- Available with insulated tank
- Available in round front, elongated, chair height elongated and ADA elongated



PF1403TWH/PF5112WHM

Codes and Standards

- IAPMO/UPC
- ASME A112.19.2
- CSA B45.0
- CSA B45.1

| Model | Model Description | Color Finishes |
|---|----------------------------------|----------------------|
| *PF1400T | 1.1-1.6 RF UNIV BOWL | ○ White |
| *PF1401T | 1.1-1.6 EL UNIV BOWL | ○ White ○ Biscuit |
| PF1402T  | 1.1-1.6 CH EL UNIV BOWL | ○ White |
| PF1403T  | 1.1-1.6 ADA UNIV BOWL | ○ White ○ Biscuit |
| PF5112 (WH or BS)M | Tank only 12" RI for 1400 series | ○ White ○ Biscuit |
| PF5112NHEWH | Tank only 12" RI for 1400 series | ○ White |
| PF5110WHM | Tank only 10" RI for 1400 series | ○ White |
| PF5110WHM | Tank only 14" RI for 1400 series | ○ White |
| PF5112RWHM | Right Hand tank | ○ White |
| PF5112UWHM | Insulated Tank | ○ White |

* = complies with CSA B651
wheelchair symbol = complies with ADA & CSA B651



Jerritt Series

Low Consumption Two-Piece Toilet Vitreous China



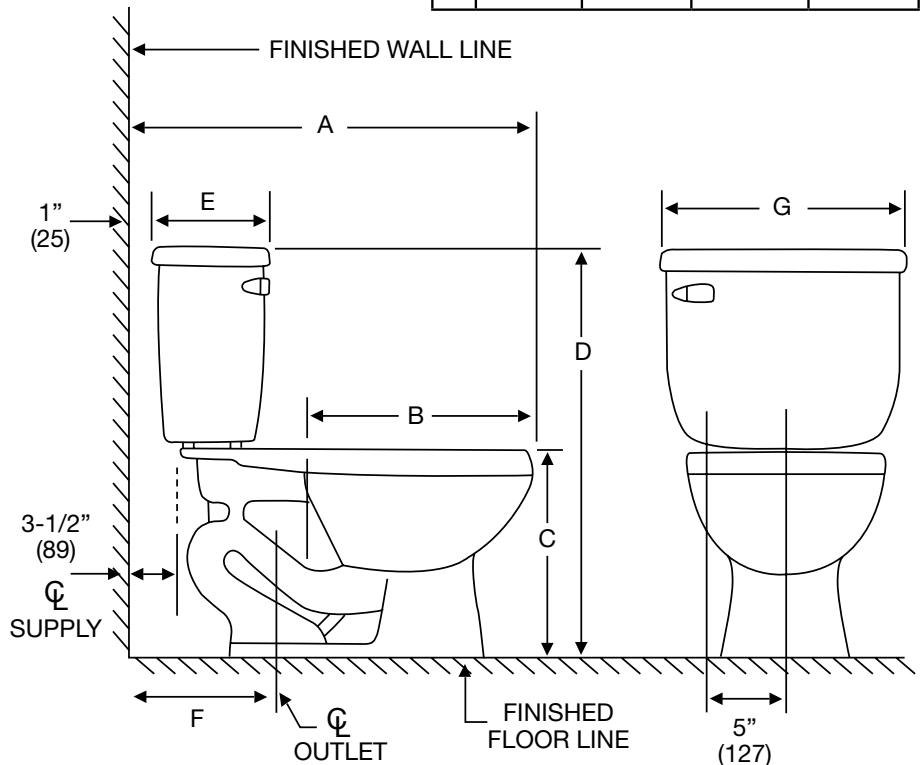
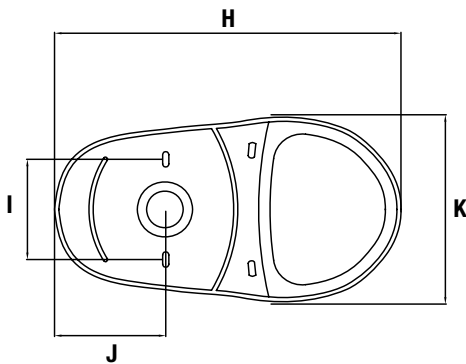
Product Features

The combination toilet shall be made of vitreous china. Toilet shall be 1.6 gpf (6.0 lpf). Toilet shall have 2" (5.1cm) fully glazed trapway. Toilet shall include chrome trip lever. Toilet shall be less seat and supply. Toilet shall be ADA compliant (PF1403T) with 17" high bowl.

| | PF5114 /1400T | PF5114 /1401T | PF5114 /1402T | PF5114 /1403T |
|---|---------------|---------------|---------------|---------------|
| A | 30-1/2" | 32-1/8" | 32-1/8" | 32-1/8" |
| E | 9-3/4" | 9-3/4" | 9-3/4" | 9-3/4" |
| F | 14" | 14" | 14" | 14" |
| G | 15-3/4" | 15-3/4" | 15-3/4" | 15-3/4" |

| | PF5110 /1400T | PF5110 /1401T | PF5110 /1402T | PF5110 /1403T |
|---|---------------|---------------|---------------|---------------|
| A | 26-1/2" | 28-1/8" | 28-1/8" | 28-1/8" |
| E | 6-1/4" | 6-1/4" | 6-1/4" | 6-1/4" |
| F | 10" | 10" | 10" | 10" |
| G | 17-1/2" | 17-1/2" | 17-1/2" | 17-1/2" |

| | PF5112 /1400T | PF5112 /1401T | PF5112 /1402T | PF5112 /1403T |
|---|---------------|---------------|---------------|---------------|
| A | 28-1/2" | 30-1/8" | 31-1/8" | 31-1/8" |
| B | 16-1/2" | 18-1/2" | 18-1/2" | 18-1/2" |
| C | 15" | 15" | 16-1/4" | 17" |
| D | 29-3/4" | 29-3/4" | 31" | 31-3/4" |
| E | 8-1/2" | 8-1/2" | 8-1/2" | 8-1/2" |
| F | 12" | 12" | 12" | 12" |
| G | 15-3/4" | 15-3/4" | 15-3/4" | 15-3/4" |



Footprint

| | RF | EL | CH EL | ADA |
|---|---------|---------|---------|---------|
| | PF1400T | PF1401T | PF1402T | PF1403T |
| H | 18-1/2" | 18-1/2" | 18-1/2" | 18-1/2" |
| I | 6" | 6" | 6" | 6" |
| J | 6-1/8" | 6-1/2" | 6-1/2" | 6-1/2" |
| K | 9" | 9" | 9" | 9" |

Warranty and Codes:

This product comes complete with installation, operating, care and maintenance instructions. All PROFLO fixtures carry a 1-year limited warranty. This product meets or exceeds ASME/ANSI A112.19.2M. In an effort to continually improve our products, we will make design changes from time to time. We reserve the right to ship newly designed product to fill any order unless we agree in writing to do otherwise.



Jerritt Series

High-Efficiency Two Piece Toilet



Product Features



- Gravity fed 1.28gpf HET, High Efficiency Toilet
- Two-piece vitreous china
- 2" fully glazed trapway
- 6" x 5-1/4" (RF) / 7" x 6" (EL) water surface
- Anti-siphon fill valve
- Jetted box rim
- Close coupled tank with cover
- Quick connect, 2 bolt tank to bowl installation
- Comes standard with a color matching trip lever
- 2" Flush valve
- Sanitary bar on all bowls
- Seat and supply not included
- Available in 10", 12", 14" RI
- Available with RH trip level
- Available with insulated tank
- Available in round front, elongated, chair height elongated and ADA elongated
- Uses 20% less water than standard low consumption toilets
- EPA WaterSense Certified



PF1403TWH/PF5112HEWH

Codes and Standards

- IAPMO/UPC
- ASME A112.19.2
- CSA B45.0
- CSA B45.1

| Model | Model Description | Color Finishes |
|---|--|-------------------|
| *PF1400T | 1.1-1.6 RF UNIV BOWL | ○ White |
| *PF1401T | 1.1-1.6 EL UNIV BOWL | ○ White ○ Biscuit |
| PF1402T  | 1.1-1.6 CH EL UNIV BOWL | ○ White |
| PF1403T  | 1.1-1.6 ADA UNIV BOWL | ○ White ○ Biscuit |
| PF5112HE | HET Tank only 12" RI for 1400 series | ○ White ○ Biscuit |
| PF5112NHEWH | HET Tank only 12" RI for 1400 series | ○ White |
| PF5110HE | HET Tank only 10" RI for 1400 series | ○ White ○ Biscuit |
| PF5114HEWH | HET Tank only 14" RI for 1400 series | ○ White |
| PF5112RHEWH | HET Right Hand Tank only | ○ White |
| PF5112UHEWH | HET Lined Tank only 12" RI for 1400 series | ○ White |
| PF5112LHEWH | Tank with Locking Lid | ○ White |

* = complies with CSA B651
wheelchair symbol = complies with ADA & CSA B651



**High-Efficiency
Two Piece Toilet**



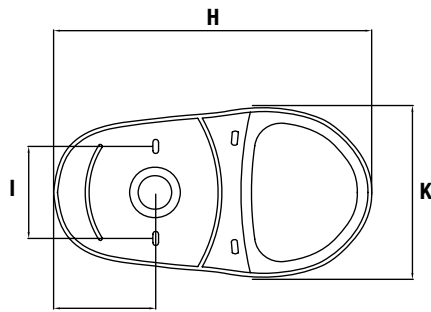
Product Features

The combination toilet shall be made of vitreous china. Toilet shall be 1.28 gpf (4.8 lpf). Toilet shall have 2" (5.1cm) fully glazed trapway. Toilet shall include color match trip lever. Toilet shall be less seat and supply. Toilet shall be ADA compliant (PF1403T) with 17" high bowl.

| | PF5114HE /1400T | PF5114HE /1401T | PF5114HE /1402T | PF5114HE /1403T |
|---|-----------------|-----------------|-----------------|-----------------|
| A | 30-1/2" | 32-1/2" | 32-1/2" | 32-1/2" |
| E | 9-3/4" | 9-3/4" | 9-3/4" | 9-3/4" |
| F | 14" | 14" | 14" | 14" |
| G | 15-3/4" | 15-3/4" | 15-3/4" | 15-3/4" |

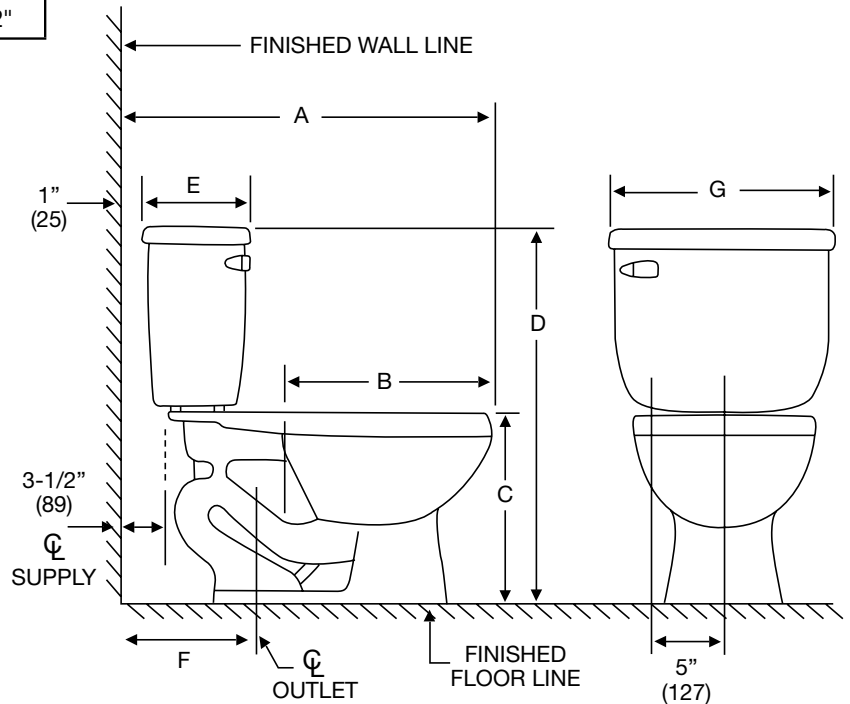
| | PF5110HE /1400T | PF5110HE /1401T | PF5110HE /1402T | PF5110HE /1403T |
|---|-----------------|-----------------|-----------------|-----------------|
| A | 26-1/2" | 28-1/2" | 28-1/2" | 28-1/2" |
| E | 6-1/4" | 6-1/4" | 6-1/4" | 6-1/4" |
| F | 10" | 10" | 10" | 10" |
| G | 17-1/2" | 17-1/2" | 17-1/2" | 17-1/2" |

| | PF5112HE /1400T | PF5112HE /1401T | PF5112HE /1402T | PF5112HE /1403T |
|---|-----------------|-----------------|-----------------|-----------------|
| A | 28-1/2" | 30-1/2" | 30-1/2" | 30-1/2" |
| B | 16-1/2" | 18-1/2" | 18-1/2" | 18-1/2" |
| C | 15" | 15" | 16-1/4" | 17" |
| D | 29-3/4" | 29-3/4" | 31" | 31-3/4" |
| E | 8-1/2" | 8-1/2" | 8-1/2" | 8-1/2" |
| F | 12" | 12" | 12" | 12" |
| G | 15-3/4" | 15-3/4" | 15-3/4" | 15-3/4" |



Footprint

| | RF | EL | CH EL | ADA |
|---|---------|---------|---------|---------|
| | PF1400T | PF1401T | PF1402T | PF1403T |
| H | 18-1/2" | 18-1/2" | 18-1/2" | 18-1/2" |
| I | 6" | 6" | 6" | 6" |
| J | 6-1/8" | 6-1/2" | 6-1/2" | 6-1/2" |
| K | 9" | 9" | 9" | 9" |



Warranty and Codes:

This product comes complete with installation, operating, care and maintenance instructions. All PROFLO fixtures carry a 1-year limited warranty. This product meets or exceeds ASME/ANSI A112.19.2M. In an effort to continually improve our products, we will make design changes from time to time. We reserve the right to ship newly designed product to fill any order unless we agree in writing to do otherwise.

Distributed Exclusively by Ferguson and Wolseley Canada
© 2018 Ferguson Enterprises, Inc.



Amador Series

Dual Flush Two Piece Toilet



Product Features

- Choose either 1.6 or 1.1 gallons per flush
- HET, High Efficiency Toilet
- Two-piece vitreous china
- 2" fully glazed trapway
- 6" x 5-1/4" (RF) / 7" x 6" (EL) water surface
- Anti-siphon fill valve
- Gravity fed, Box rim
- Close coupled tank with cover
- Quick connect, 2 bolt tank to bowl installation
- 2" Flush valve
- Comes standard with a color matching trip lever
- Sanitary bar on all bowls
- Seat and supply not included
- Available in 10" or 12" RI
- Available with RH trip lever
- Available with insulated tank
- Available in round front, elongated, chair height elongated and ADA elongated
- EPA WaterSense Certified
- Meets ANSI ASME A112.19.14-2006 and ASME A112.19.2M



PF1401T/PF9312

Model Numbers

| | |
|-------------|--|
| * PF1400TWH | 1.1-1.6 12 RI RF UNIV BOWL WHIT |
| * PF1401TWH | 1.1-1.6 12 RI EL UNIV BOWL WHIT |
| PF1402TWH | 1.1-1.6 12 RI CH EL UNIV BOWL WHIT |
| PF1403TWH | 1.1-1.6 12 RI ADA UNIV BOWL WHIT |
| PF9312WH | Tank HET Dual Flush 1.1/1.6 gpf, 12" Rough-in, White |
| PF9310WH | Tank HET Dual Flush 1.1/1.6 gpf, 10" Rough-in, White |
| PF9312RWH | Tank HET Dual Flush 1.1/1.6 gpf, Right Hand, White |
| PF9312UWH | Tank HET Dual Flush 1.1/1.6 gpf, Insulated Tank, White |

* = complies with CSA B651

= complies with ADA & CSA B651

Available Parts

| | |
|-------------|---|
| PF9312FLPK | Fill valve assembly |
| PF9312FVPK | Dual flush tower assembly (includes white trip lever) |
| PFTGPK | Tank gasket w/bolts |
| PF5112LIDWH | Tank lid white |

Detailed Use Instructions

The Dual Flush enables a 1.1 gallon flush by pushing the flush lever back for liquid or light waste. The 1.6 gallon flush can be utilized by pulling forward on the trip lever providing a strong flushing action for bulk or solid waste.

Warranty and Codes

This product comes complete with installation, operating, care and maintenance instructions. All PROFLO fixtures carry a 1-year limited warranty. In an effort to continually improve our products, we will make design changes from time to time. We reserve the right to ship newly designed product to fill any order unless we agree in writing to do otherwise.



Dual Flush
Two Piece Toilet

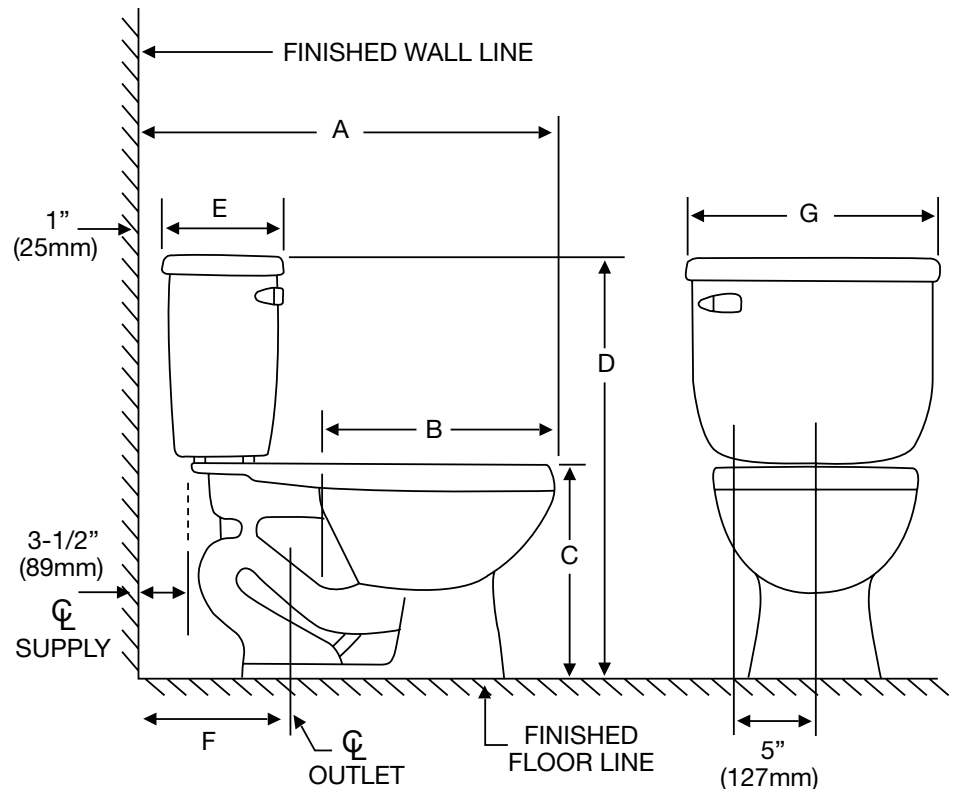
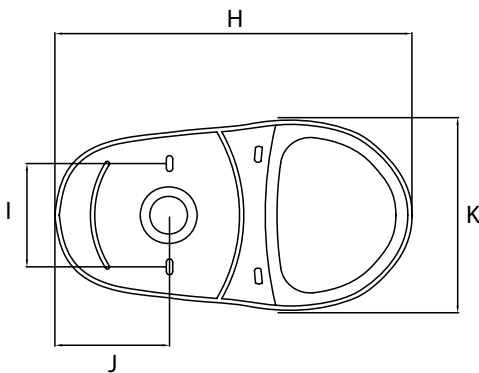


Certifications

Meets strict flushing performance guidelines established by the EPA (Environmental Protection Agency) WaterSense program. Leadership in Energy and Environmental Design (LEED) Compliant. Los Angeles Department of Water and Power (LADWP) Compliant.

| | PF9310 /1400T | PF9310 /1401T | PF9310 /1402T | PF9310 /1403T |
|---|---------------|---------------|---------------|---------------|
| A | 26-1/2" | 28-1/2" | 28-1/2" | 28-1/2" |
| B | 16-1/2" | 18-1/2" | 18-1/2" | 18-1/2" |
| C | 15" | 15" | 16-1/4" | 17" |
| D | 29-3/4" | 29-3/4" | 31" | 31-3/4" |
| E | 6-1/4" | 6-1/4" | 6-1/4" | 6-1/4" |
| F | 10" | 10" | 10" | 10" |
| G | 17-1/2" | 17-1/2" | 17-1/2" | 17-1/2" |

| | PF9312 /1400T | PF9312 /1401T | PF9312 /1402T | PF9312 /1403T |
|---|---------------|---------------|---------------|---------------|
| A | 28-1/2" | 30-1/2" | 30-1/2" | 30-1/2" |
| B | 16-1/2" | 18-1/2" | 18-1/2" | 18-1/2" |
| C | 15" | 15" | 16-1/4" | 17" |
| D | 29-3/4" | 29-3/4" | 31" | 31-3/4" |
| E | 8-1/2" | 8-1/2" | 8-1/2" | 8-1/2" |
| F | 12" | 12" | 12" | 12" |
| G | 15-3/4" | 15-3/4" | 15-3/4" | 15-3/4" |



Footprint

| | RF | EL | CH EL | ADA |
|---|---------|---------|---------|---------|
| | PF1400T | PF1401T | PF1402T | PF1403T |
| H | 18-1/2" | 18-1/2" | 18-1/2" | 18-1/2" |
| I | 6" | 6" | 6" | 6" |
| J | 6-1/8" | 6-1/2" | 6-1/2" | 6-1/2" |
| K | 9" | 9" | 9" | 9" |

