

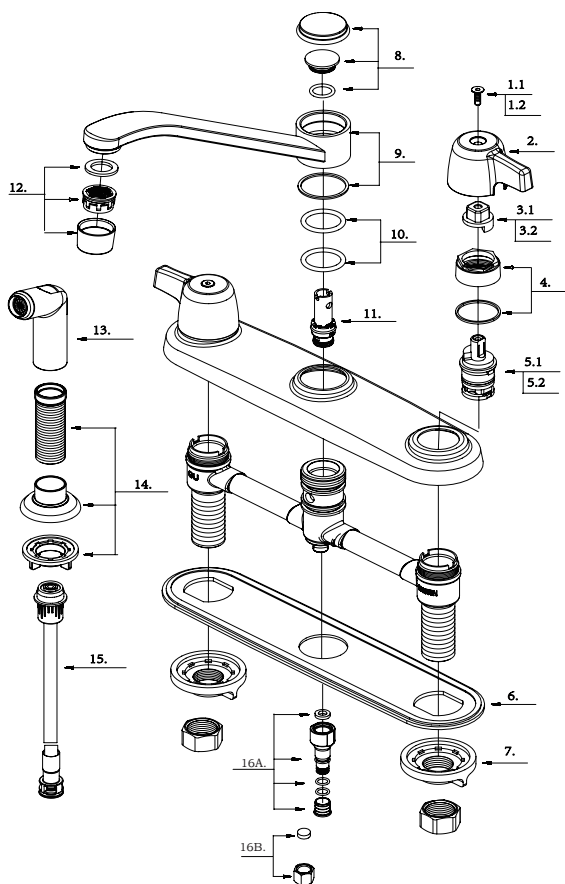
Parts Breakdown

Two Handle Kitchen Faucet

PFXC1180CP PFXC1180LSCP



PFXC1180CP



No.	Part Name	Part NO.
1.1	Screw – Cold (W3/16"-24*16L)	A008212C
1.2	Screw – Hot (W3/16"-24*16L)	A008212H
2	Metal Handle	A069790
3.1	Handle Adapter - Cold	A110114C
3.2	Handle Adapter - Hot	A110114H
4	Retainer Nut Assembly	A663629
5.1	Ceramic Disc Cartridge - Cold	PF507103C
5.2	Ceramic Disc Cartridge - Hot	PF507103H
6	Putty Plate	A011125
7	Lock Nut Set	A504023
8	Spout Trim Cap	A663163N
9	Spout Set	A66D585N
10	O-Ring Set(7/8" ID * 1-1/8" OD)	A668000N
11	Spray Diverter with Vacuum Breaker (for PFXC1180CP)	A501018N
12	Aerator	A500871N-51
13	Hand Spray (for PFXC1180CP)	A503002N
14	Spray Holder Assembly (for PFXC1180CP)	A220008
15	Hose 47" (for PFXC1180CP)	A512139N
16a	Shank Assembly (for PFXC1180CP)	A66G352N
16b	Plastic Plugger for Kitchen Spray (for PFXC1180LSCP)	A603838N-P

Warranty and Codes

This product comes complete with installation, operating, care and maintenance instructions. This PROFLO faucet carries a limited lifetime warranty when installed in residential applications. The warranty is five years in commercial applications. This product meets ANSI: A112.18.1M. Compliant with lead content requirements of California AB 1953.



Distributed Exclusively by Ferguson and Wolseley Canada