

Carolina® One-Piece Toilet, 1.6GPF

FEATURES

- Power Gravity® flushing system, (1.6GPF/6.0LPF)
- Decorative one-piece low profile skirted toilet
- Elongated front bowl with SoftClose® seat (SS114)
- 12" UniFit rough-in
- Chrome trip lever

MODELS

- MS884114
one-piece toilet with SoftClose seat (SS114)

COLORS/FINISHES

- Standard
 - #01 Cotton
 - #03 Bone
 - #11 Colonial White
 - #12 Sedona Beige
 - #51 Ebony



POWER BY TOTO
GRAVITY

PRODUCT SPECIFICATION

The one-piece low consumption Power Gravity flushing system toilet shall be 1.6GPF/6.0LPF. Toilet shall be of skirted design, elongated front bowl with SoftClose seat and Chrome trip lever. Toilet shall be TOTO Model MS884114_____.

CODES/STANDARDS

- Meets and exceeds ASME A112.19.2/CSA B45.1
- Certifications: IAPMO(cUPC), State of Massachusetts, City of Los Angeles, and others
- Code compliance: UPC, IPC, NSPC, NPC Canada, and others



MS884114

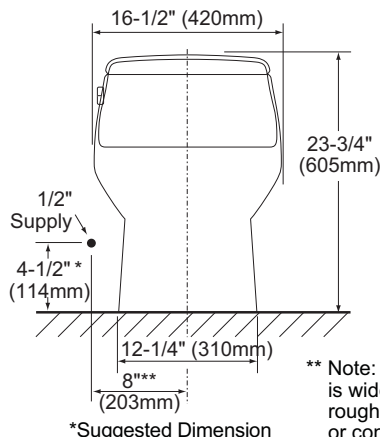
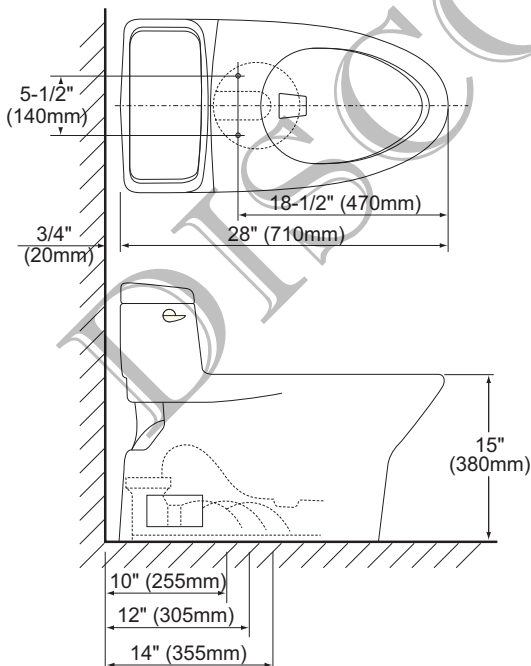
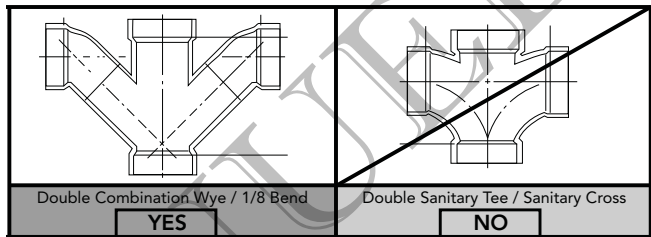
Carolina® One-Piece Toilet, 1.6GPF

SPECIFICATIONS

- Water Use 1.6 GPF/6.0LPF
- Flush System Power Gravity®
- Min. Water Pressure 8 psi (static)
- Water Surface 10-" x 8-1/4"
- Trap Diameter 2-1/8"
- Rough-in 12", (10" & 14" avail.)
- Trap Seal 2-5/8"
- Warranty One Year Limited Warranty
- Material Vitreous china
- Shipping Weight 105 lbs.
- Shipping Dimensions 31-1/8" L x 18-1/8" W x 27-1/8" H

INSTALLATION NOTES

Back-to-Back Toilet Installations:
 TOTO recommends the use of a nationally listed, double sanitary tee-wye only, in vertical waste stacks, in accordance with the stipulations noted in the majority of nationally recognized plumbing codes.



** Note: Water supply rough-in is wider than standard 5" rough-in. Consult your builder or contractor

TOTO

These dimensions and specifications are subject to change without notice