

# ELKAY® SPECIFICATIONS

## Gourmet Undermount Double Bowl Corner Sink Model ELUH3232

### GENERAL

Highest quality sink formed of #18(1.2mm) gauge, type 304 (18-8) nickel bearing stainless steel. Undermount.

### DESIGN FEATURES

Bowl Depth: 7-7/8" (200mm).  
Coved Corners: 1-3/4" (44mm) vertical and horizontal radius.  
Finish: Exposed surfaces are polished to a lustrous highlighted satin finish.  
Underside: Fully protected by heavy duty Sound Guard® under-coating to dampen sound and reduce condensation.

### OTHER

Drain Opening: 3-1/2" (89mm).  
Faucet Holes: Sink has (3)1-1/2" (38mm) diameter faucet holes that can be used as a template when installing the faucet to the countertop.

NOTE: All Elkay undermount sinks are designed to affix to the underside of any solid surface countertop.

Sink complies with ASME A112.19.3-2008 / CSA B45.4-08.



These sinks are listed by the International Association of Plumbing and Mechanical Officials as meeting the requirements of the Uniform Plumbing Code and the National Plumbing Code of Canada.

### OPTIONAL ACCESSORIES

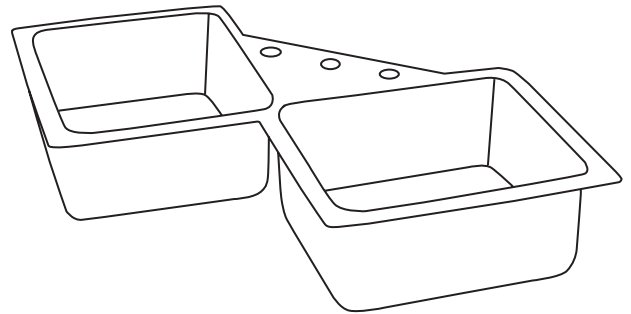
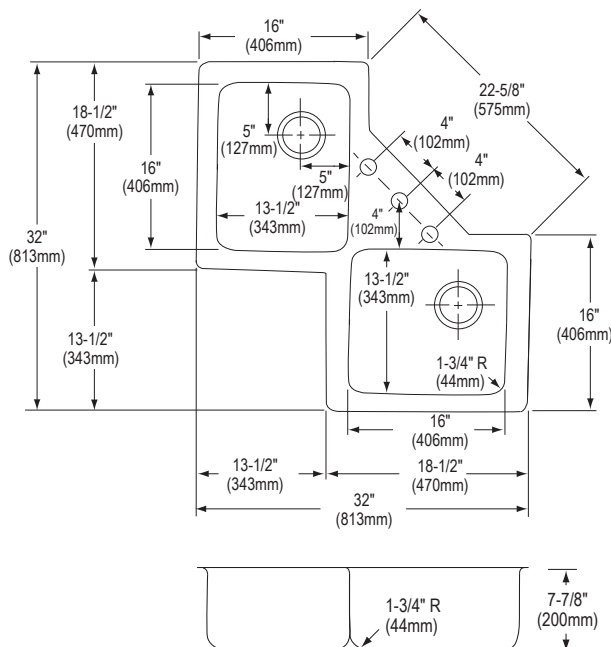
Cutting Boards: CB1613, CB1713, CBR1316, CBS1316  
Drain: LK99  
Mounting Clip: LKUCLIP8 (2 packages required)  
Rinsing Baskets: LKWRB1316SS, LKWERBSS  
Utensil Caddy for Rinsing Basket: LKWUCSS

### SINK DIMENSIONS\*

Model Number	Overall		Inside Each Bowl			Cutout in Countertop	Minimum Cabinet Size
	L	W	L	W	D		
ELUH3232	32 (813mm)	32 (813mm)	13 1/2 (343mm)	16 (406mm)	7 7/8 (200mm)	See Template**	36 (Corner) (914mm)

\*Length is left to right. Width is front to back.

\*\*Template is packed with every sink.

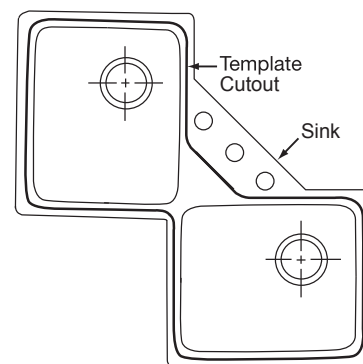
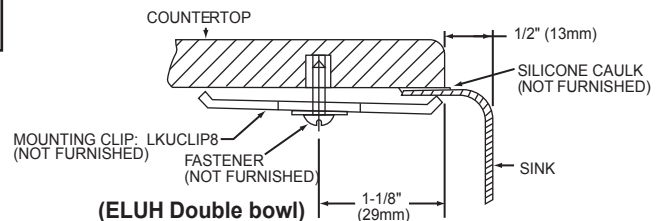


Model ELUH3232



### Installation Profile of ELUH Double Bowl Models

The template provided with each ELUH sink provides the only type of installation recommended by Elkay.



In keeping with our policy of continuing product improvement, Elkay reserves the right to change product specifications without notice. Please visit [elkayusa.com](http://elkayusa.com) for most current version of Elkay product specification sheets.

This specification describes an Elkay product with design, quality and functional benefits to the user. When making a comparison of other producers' offerings, be certain these features are not overlooked.

Elkay

[elkayusa.com](http://elkayusa.com)

2222 Camden Court  
Oak Brook, IL 60523

Printed in U.S.A.  
©2011 Elkay

(Rev 2/11) 1-211C