

ELKAY® SPECIFICATIONS

Pacemaker® Single Bowl Lavatory Sink Model PSLVR1917 Series

GENERAL

Fine quality single bowl lavatory sink seamlessly formed of #20 gauge, type 304 (18-8) nickel bearing stainless steel. Self-rimming.

DESIGN FEATURES

Bowl Depth: 6-1/8".

Bowl and Faucet Deck Recess: 3/16" below outside edge of sink.

Finish: Exposed surfaces are polished to a lustrous highlighted satin finish.

Underside: Fully undercoated to dampen sound and prevent condensation.

OTHER

Drain Opening: 1-5/8", 2-1/4" O.D. at top of countersink. Arranged for standard lavatory type drain.

PSLVR1917 comes complete with LKF294 overflow assembly.

PSLVR1917LO less overflow assembly. Outlet designed for standard lavatory drain fitting and includes drain housing and washer assembly.

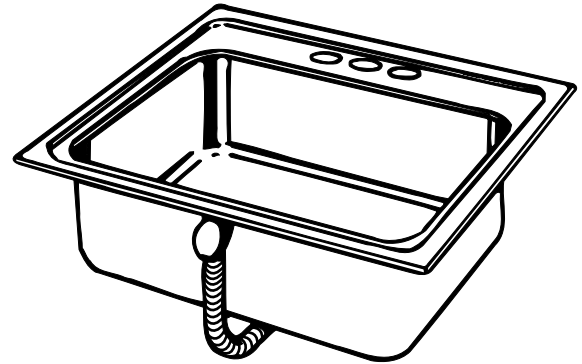
Recommended Drain:

PSLVR1917 Series – LK174, LKAD174, LK175.

PSLVR1917LO Series – LK174LO, LKAD174LO.

NOTE: Unless otherwise specified, sink is furnished with a CS3 faucet hole configuration.

These sinks comply with ANSI Standard A112.19.3M.



Model PSLVR1917CS3



These sinks are listed by the International Association of Plumbers and Mechanical Officials as meeting the requirements of the Uniform Plumbing Code.

SINK DIMENSIONS (INCHES)*

| Model Number | Overall | | Inside Bowl | | | With Overflow | Cutout in Countertop (1 1/2" Radius Corners) | | 1 1/4" Dia. Faucet Holes No. & Ctrs. | Minimum Cabinet Size | Ship. Wt. Lbs. |
|--------------|---------|----|-------------|--------|-------|---------------|--|--------|--|----------------------|----------------|
| | L | D | L | W | D | | L | W | | | |
| PSLVR1917 | 19 | 17 | 16 | 11 1/2 | 6 1/8 | Yes | 18 3/8 | 16 3/8 | 1, 2 or 3 - 4" Ctrs. CS3 - 2" Ctrs. | 24 | 9 1/2 |
| PSLVR1917LO | 19 | 17 | 16 | 11 1/2 | 6 1/8 | No | 18 3/8 | 16 3/8 | 1, 2 or 3 - 4" Ctrs. CS3 - 2" Ctrs. | 24 | 8 1/4 |

*Length is left to right. Width is front to back.

SEE OTHER SIDE FOR PRODUCT DIMENSIONS.

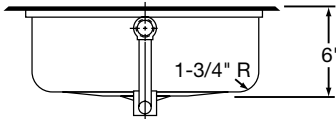
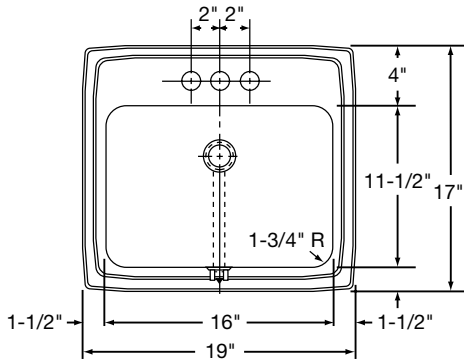
ALL DIMENSIONS IN INCHES, TO CONVERT TO MILLIMETERS MULTIPLY BY 25.4.

In keeping with our policy of continuing product improvement, Elkay reserves the right to change product specifications without notice.

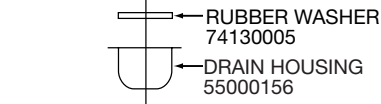
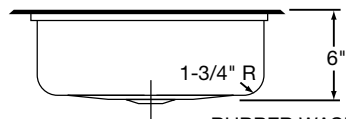
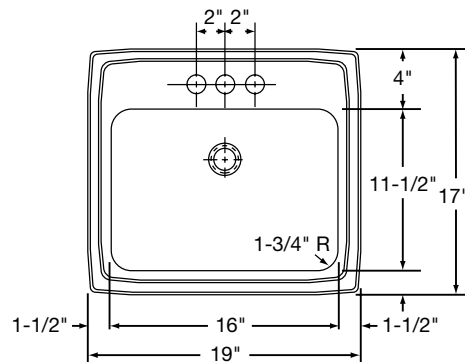
This specification describes an Elkay product with design, quality and functional benefits to the user. When making a comparison of other producers' offerings, be certain these features are not overlooked.

**Pacemaker® Single Bowl Lavatory Sink
Models PSLVR1917 Series**

**ELKAY®
SPECIFICATIONS**

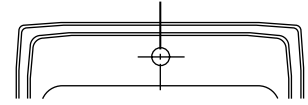


Model PSLVR1917CS3 Illustrated

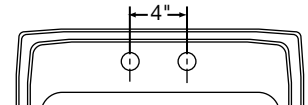


Model PSLVR1917LOCS3 Illustrated

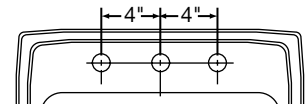
HOLE DRILLING CONFIGURATIONS



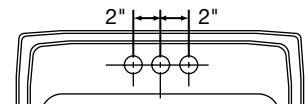
1



2



3



CS3