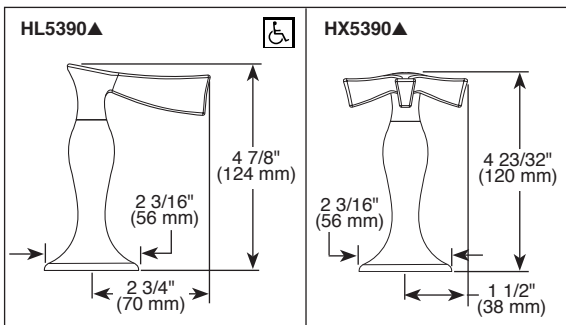
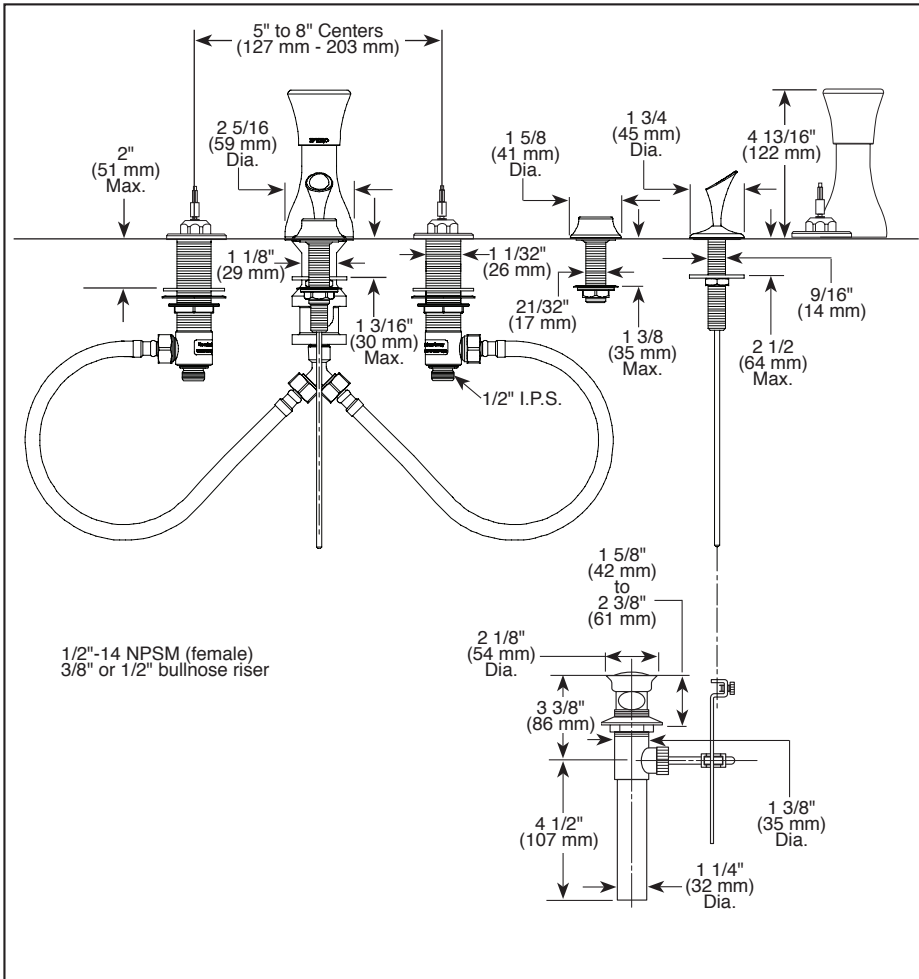


Submitted Model No.: _____

Specific Features: _____



▲ Designate proper finish suffix

Delta reserves the right (1) to make changes in specifications and materials, and (2) to change or discontinue models, both without notice or obligation. Dimensions are for reference only. See current full-line price book or www.brizo.com for finish options and product availability.

BSP-S-68490-LHP Rev. B

BRIZO®

BIDET FAUCET

- RSVP® Two Handle
- 4 Hole Applications
- 5" to 8" Centers

STANDARD SPECIFICATIONS:

- Three handle bidet faucet for exposed mounting on 4 hole applications.
- Widespread 5" to 8" centers.
- Control mechanism shall be of the rotating ceramic cylinder type with 90° (1/4 turn) rotation.
- Metal drain has pop-up type fitting with plated flange and stopper.
- Diverter with integral vacuum breaker.
- Directional handle for rim flush or rosette spray douche.
- LHP - Less Handle Program. See handle options below.

WARRANTY

- Lifetime limited warranty on parts (other than electronic parts and batteries) and finishes: or, for commercial users, for 5 years from date of purchase.
- 5 year limited warranty on electronic parts (other than batteries); or, for commercial users, for 1 year from the date of purchase. No warranty is provided on batteries.



COMPLIES WITH:

- ANSI/ASME A112.18.1 / CSA B125.1
- ANSI/ASME A112.18.2 / CSA B125.2

☑ Indicates compliance to ICC/ANSI A117.1

Delta Faucet Company
Indianapolis, Indiana 46280
A Division of Masco Corporation of Indiana
© 2014 Masco Corporation of Indiana